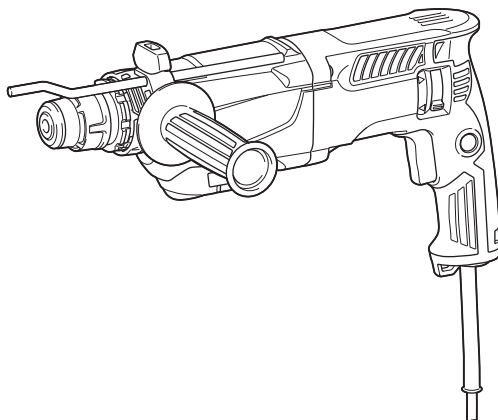




EN	Combination Hammer	INSTRUCTION MANUAL	4
SV	Kombinationshammare	BRUKSANVISNING	8
NO	Kombinasjonsborhammer	BRUKSANVISNING	12
FI	Yhdistelmäporavasara	KÄYTTÖOHJE	16
LV	Kombinētais āmurs	LIETOŠANAS INSTRUKCIJA	20
LT	Trijų režimų perforatorius	NAUDOJIMO INSTRUKCIJA	24
ET	Kombineeritud vasar	KASUTUSJUHEND	28
RU	Трехрежимный перфоратор	РУКОВОДСТВО ПО ЭКСПЛУАТАЦИИ	32

M8701



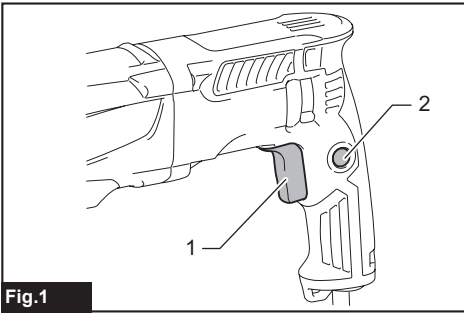


Fig.1

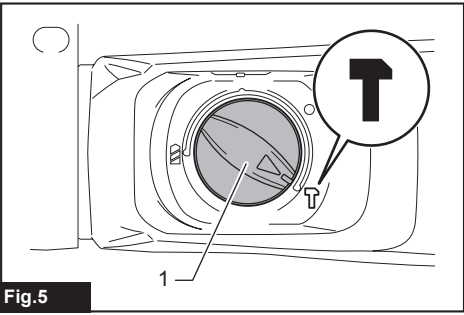


Fig.5

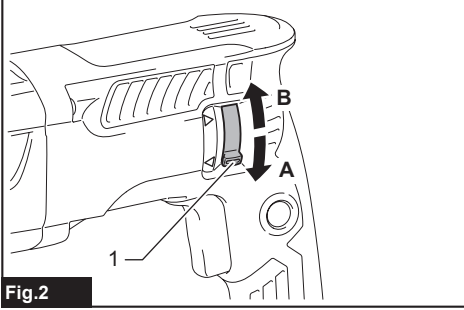


Fig.2

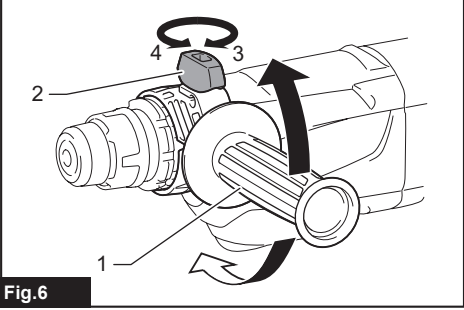


Fig.6

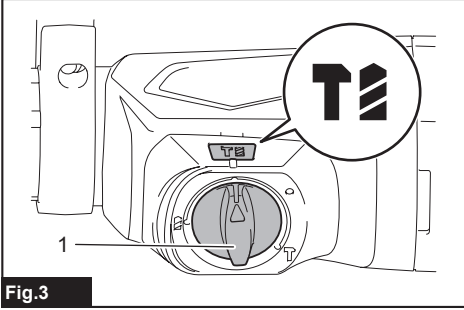


Fig.3

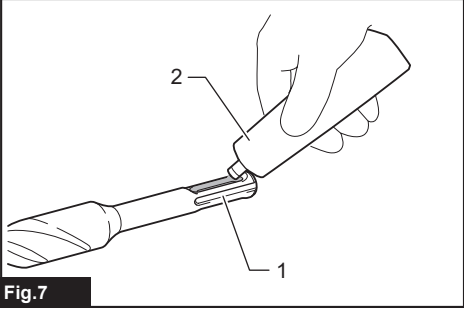


Fig.7

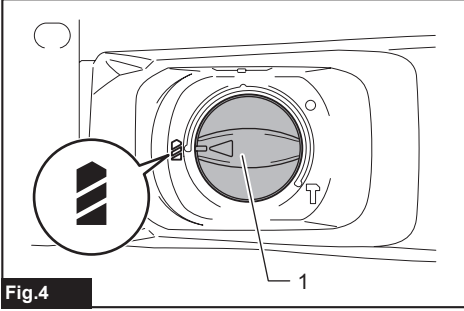


Fig.4

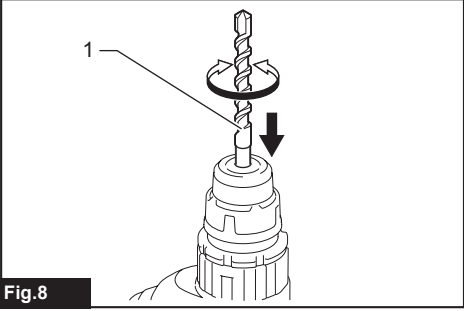


Fig.8

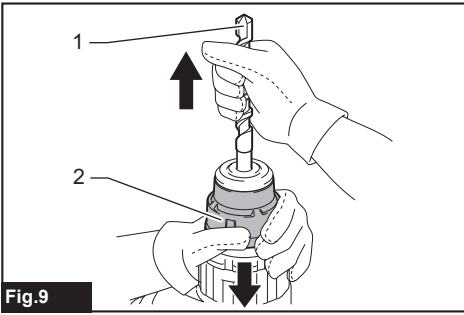


Fig.9

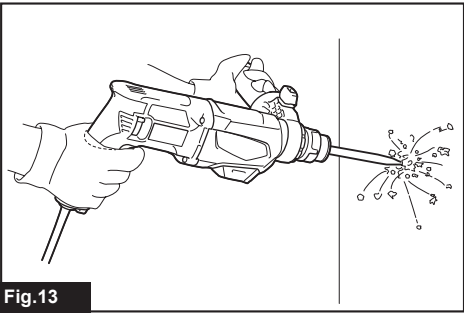


Fig.13

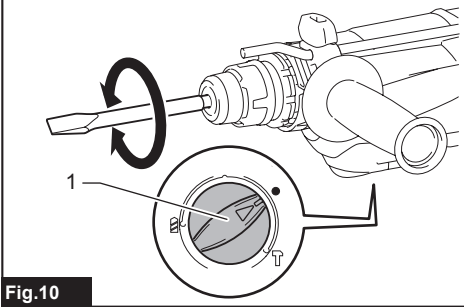


Fig.10

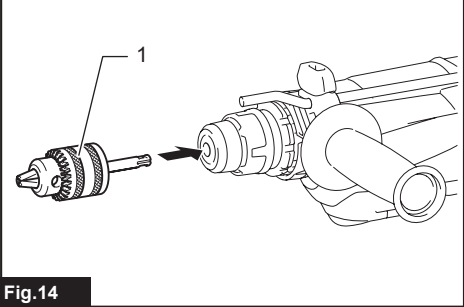


Fig.14

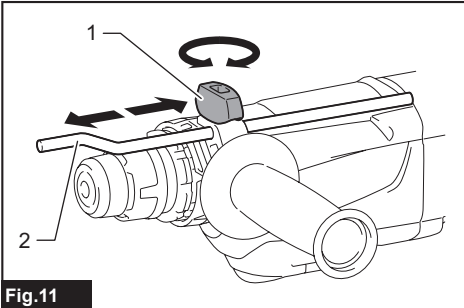


Fig.11

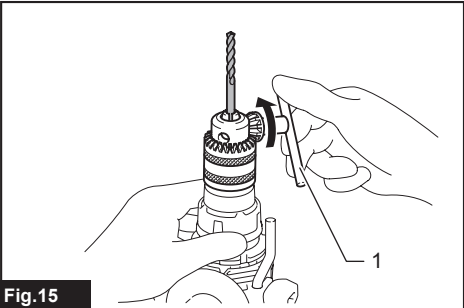


Fig.15

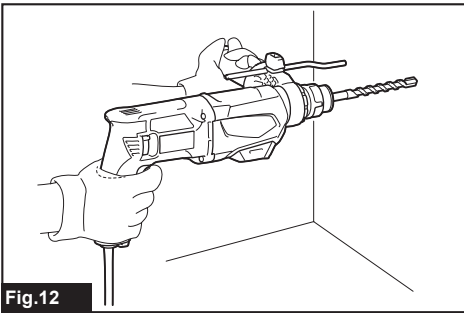


Fig.12

SPECIFICATIONS

Model:		M8701
Drilling capacities	Concrete	26 mm
	Core bit	68 mm
	Diamond core bit (dry type)	80 mm
	Steel	13 mm
	Wood	32 mm
No load speed	0 - 1,200 min ⁻¹	
Blows per minute	0 - 4,500 min ⁻¹	
Overall length	362 mm	
Net weight	2.7 kg	
Safety class	II	

- Due to our continuing program of research and development, the specifications herein are subject to change without notice.
- Specifications may differ from country to country.
- Weight according to EPTA-Procedure 01/2003

Intended use

The tool is intended for hammer drilling and drilling in brick, concrete and stone as well as for chiselling work. It is also suitable for drilling without impact in wood, metal, ceramic and plastic.

Power supply

The tool should be connected only to a power supply of the same voltage as indicated on the nameplate, and can only be operated on single-phase AC supply. They are double-insulated and can, therefore, also be used from sockets without earth wire.

Noise

The typical A-weighted noise level determined according to EN60745:

Sound pressure level (L_{pA}): 90 dB(A)

Sound power level (L_{WA}): 101 dB (A)

Uncertainty (K): 3 dB(A)

⚠ WARNING: Wear ear protection.

Vibration

The vibration total value (tri-axial vector sum) determined according to EN60745:

Work mode: hammer drilling into concrete

Vibration emission ($a_{h, HD}$): 16.5 m/s²

Uncertainty (K): 1.5 m/s²

Work mode: chiselling function with side grip

Vibration emission ($a_{h, Chg}$): 9.0 m/s²

Uncertainty (K): 1.5 m/s²

Work mode: drilling into metal

Vibration emission ($a_{h, D}$): 2.5 m/s² or less

Uncertainty (K): 1.5 m/s²

NOTE: The declared vibration emission value has been measured in accordance with the standard test method and may be used for comparing one tool with another.

NOTE: The declared vibration emission value may also be used in a preliminary assessment of exposure.

⚠ WARNING: The vibration emission during actual use of the power tool can differ from the declared emission value depending on the ways in which the tool is used.

⚠ WARNING: Be sure to identify safety measures to protect the operator that are based on an estimation of exposure in the actual conditions of use (taking account of all parts of the operating cycle such as the times when the tool is switched off and when it is running idle in addition to the trigger time).

EC Declaration of Conformity

For European countries only

The EC declaration of conformity is included as Annex A to this instruction manual.

SAFETY WARNINGS

General power tool safety warnings

⚠ WARNING: Read all safety warnings and all instructions. Failure to follow the warnings and instructions may result in electric shock, fire and/or serious injury.

Save all warnings and instructions for future reference.

The term "power tool" in the warnings refers to your mains-operated (corded) power tool or battery-operated (cordless) power tool.

ROTARY HAMMER SAFETY WARNINGS

1. **Wear ear protectors.** Exposure to noise can cause hearing loss.
2. **Use auxiliary handle(s), if supplied with the tool.** Loss of control can cause personal injury.
3. **Hold power tool by insulated gripping surfaces, when performing an operation where the cutting accessory may contact hidden wiring or its own cord.** Cutting accessory contacting a "live" wire may make exposed metal parts of the power tool "live" and could give the operator an electric shock.
4. **Wear a hard hat (safety helmet), safety glasses and/or face shield. Ordinary eye or sun glasses are NOT safety glasses. It is also highly recommended that you wear a dust mask and thickly padded gloves.**
5. **Be sure the bit is secured in place before operation.**
6. **Under normal operation, the tool is designed to produce vibration. The screws can come loose easily, causing a breakdown or accident. Check tightness of screws carefully before operation.**
7. **In cold weather or when the tool has not been used for a long time, let the tool warm up for a while by operating it under no load. This will loosen up the lubrication. Without proper warm-up, hammering operation is difficult.**
8. **Always be sure you have a firm footing. Be sure no one is below when using the tool in high locations.**
9. **Hold the tool firmly with both hands.**
10. **Keep hands away from moving parts.**
11. **Do not leave the tool running. Operate the tool only when hand-held.**
12. **Do not point the tool at any one in the area when operating. The bit could fly out and injure someone seriously.**
13. **Do not touch the bit or parts close to the bit immediately after operation; they may be extremely hot and could burn your skin.**
14. **Some material contains chemicals which may be toxic. Take caution to prevent dust inhalation and skin contact. Follow material supplier safety data.**

SAVE THESE INSTRUCTIONS.

WARNING: DO NOT let comfort or familiarity with product (gained from repeated use) replace strict adherence to safety rules for the subject product. MISUSE or failure to follow the safety rules stated in this instruction manual may cause serious personal injury.

FUNCTIONAL DESCRIPTION

CAUTION: Always be sure that the tool is switched off and unplugged before adjusting or checking function on the tool.

Switch action

CAUTION: Before plugging in the tool, always check to see that the switch trigger actuates properly and returns to the "OFF" position when released.

CAUTION: Switch can be locked in "ON" position for ease of operator comfort during extended use. Apply caution when locking tool in "ON" position and maintain firm grasp on tool.

► Fig.1: 1. Switch trigger 2. Lock button

To start the tool, simply pull the switch trigger. Tool speed is increased by increasing pressure on the switch trigger. Release the switch trigger to stop.

For continuous operation, pull the switch trigger, push in the lock button and then release the switch trigger. To stop the tool from the locked position, pull the switch trigger fully, then release it.

Reversing switch action

CAUTION: Always check the direction of rotation before operation.

NOTICE: Use the reversing switch only after the tool comes to a complete stop. Changing the direction of rotation before the tool stops may damage the tool.

NOTICE: If the switch trigger can not be depressed, check to see that the reversing switch is fully set to position ◁ (A side) or ▷ (B side).

► Fig.2: 1. Reversing switch lever


This tool has a reversing switch to change the direction of rotation. Move the reversing switch lever to the position ◁ (A side) for clockwise rotation or to the position ▷ (B side) for counterclockwise rotation.

Selecting the action mode

NOTICE: Do not rotate the action mode changing knob when the tool is running. The tool will be damaged.

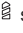
NOTICE: To avoid rapid wear on the mode change mechanism, be sure that the action mode changing knob is always positively located in one of the three action mode positions.

Rotation with hammering

For drilling in concrete, masonry, etc., rotate the action mode changing knob to the  symbol. Use a tungsten-carbide tipped bit (optional accessory).


► **Fig.3:** 1. Action mode changing knob

Rotation only

For drilling in wood, metal or plastic materials, rotate the action mode changing knob to the  symbol. Use a twist drill bit or wood drill bit.

► **Fig.4:** 1. Action mode changing knob

Hammering only

For chipping, scaling or demolition operations, rotate the action mode changing knob to the  symbol. Use a bull point, cold chisel, scaling chisel, etc.

► **Fig.5:** 1. Action mode changing knob

Torque limiter

NOTICE: As soon as the torque limiter actuates, switch off the tool immediately. This will help prevent premature wear of the tool.

NOTICE: Drill bits such as hole saw, which tend to pinch or catch easily in the hole, are not appropriate for this tool. This is because they will cause the torque limiter to actuate too frequently.

The torque limiter will actuate when a certain torque level is reached. The motor will disengage from the output shaft. When this happens, the drill bit will stop turning.

ASSEMBLY

CAUTION: Always be sure that the tool is switched off and unplugged before carrying out any work on the tool.

Side grip (auxiliary handle)

CAUTION: Always use the side grip to ensure safe operation.

CAUTION: After installing or adjusting the side grip, make sure that the side grip is firmly secured.

Install the side grip so that the protrusions on the grip fit in between the grooves on the tool barrel. Then tighten the thumb screw clockwise to fix the grip at the desired position.

The side grip can be swung 360° so as to be secured at any position.

► **Fig.6:** 1. Side grip 2. Thumb screw 3. Tighten
4. Loosen

Grease

Coat the shank end of the drill bit/chisel beforehand with a small amount of grease (about 0.5 - 1 g).

This chuck lubrication assures smooth action and longer service life.

Installing or removing drill bit/chisel

Clean the shank end of the drill bit/chisel and apply grease before installing the drill bit/chisel.

► **Fig.7:** 1. Shank end of the drill bit/chisel 2. Grease

Insert the drill bit/chisel into the tool. Turn the drill bit/chisel and push it in until it engages.


After installing the drill bit/chisel, always make sure that the drill bit/chisel is securely held in place by trying to pull it out.

► **Fig.8:** 1. Drill bit/chisel


To remove the drill bit/chisel, pull the chuck cover down all the way and pull the drill bit/chisel out.

► **Fig.9:** 1. Drill bit/chisel 2. Chuck cover

Chisel angle (when chipping, scaling or demolishing)

The chisel can be secured at the desired angle. To change the chisel angle, rotate the action mode changing knob to the  symbol. Turn the chisel to the desired angle.

► **Fig.10:** 1. Action mode changing knob

Rotate the action mode changing knob to the  symbol. Then make sure that the chisel is securely held in place by turning it slightly.

Depth gauge

The depth gauge is convenient for drilling holes of uniform depth. Loosen the thumb screw and adjust the depth gauge to the desired depth. After adjusting, tighten the thumb screw firmly.

► **Fig.11:** 1. Thumb screw 2. Depth gauge

NOTE: The depth gauge cannot be used at the position where the depth gauge touches against the gear housing/motor housing.

OPERATION


CAUTION: Always use the side grip (auxiliary handle) and firmly hold the tool by both side grip and switch handle during operations.

CAUTION: Always make sure that the work-piece is secured before operation.

► **Fig.12**

Hammer drilling operation


CAUTION: There is tremendous and sudden twisting force exerted on the tool/drill bit at the time of hole break-through, when the hole becomes clogged with chips and particles, or when striking reinforcing rods embedded in the concrete. **Always use the side grip (auxiliary handle) and firmly hold the tool by both side grip and switch handle during operations.** Failure to do so may result in the loss of control of the tool and potentially severe injury.

Set the action mode changing knob to the  symbol. Position the drill bit at the desired location for the hole, then pull the switch trigger. Do not force the tool. Light pressure gives best results. Keep the tool in position and prevent it from slipping away from the hole.

Do not apply more pressure when the hole becomes clogged with chips or particles. Instead, run the tool at an idle, then remove the drill bit partially from the hole. By repeating this several times, the hole will be cleaned out and normal drilling may be resumed.

NOTE: Eccentricity in the drill bit rotation may occur while operating the tool with no load. The tool automatically centers itself during operation. This does not affect the drilling precision.

Chipping/Scaling/Demolition

Set the action mode changing knob to the  symbol. Hold the tool firmly with both hands. Turn the tool on and apply slight pressure on the tool so that the tool will not bounce around, uncontrolled.

Pressing very hard on the tool will not increase the efficiency.

► Fig.13

Drilling in wood or metal


CAUTION: Hold the tool firmly and exert care when the drill bit begins to break through the workpiece. There is a tremendous force exerted on the tool/drill bit at the time of hole break through.

CAUTION: A stuck drill bit can be removed simply by setting the reversing switch to reverse rotation in order to back out. However, the tool may back out abruptly if you do not hold it firmly.

CAUTION: Always secure workpieces in a vise or similar hold-down device.

NOTICE: Never use “rotation with hammering” when the drill chuck is installed on the tool. The drill chuck may be damaged. Also, the drill chuck will come off when reversing the tool.

NOTICE: Pressing excessively on the tool will not speed up the drilling. In fact, this excessive pressure will only serve to damage the tip of your drill bit, decrease the tool performance and shorten the service life of the tool.

Set the action mode changing knob to the  symbol. You can drill up to 13 mm (1/2”) diameter in metal and up to 32 mm (1-1/4”) diameter in wood.

Use a drill chuck assembly (optional accessory). When installing it, refer to the section “Installing or removing drill bit/chisel”.

► Fig.14: 1. Drill chuck assembly (optional accessory)

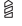
To install the drill bit, place it in the chuck as far as it will go. Tighten the chuck by hand. Place the chuck key in each of the three holes and tighten clockwise. Be sure to tighten all three chuck holes evenly.

To remove the drill bit, turn the chuck key counterclockwise in just one hole, then loosen the chuck by hand.

► Fig.15: 1. Chuck key

Diamond core drilling

NOTICE: If performing diamond core drilling operations using “rotation with hammering” action, the diamond core bit may be damaged.

When performing diamond core drilling operations, always set the change lever to the  position to use “rotation only” action.

MAINTENANCE

CAUTION: Always be sure that the tool is switched off and unplugged before attempting to perform inspection or maintenance.

NOTICE: Never use gasoline, benzine, thinner, alcohol or the like. Discoloration, deformation or cracks may result.

To maintain product SAFETY and RELIABILITY, repairs, carbon brush inspection and replacement, any other maintenance or adjustment should be performed by Makita Authorized or Factory Service Centers, always using Makita replacement parts.

SPECIFIKATIONER

Modell:		M8701
Borrkapaciteter	Cement	26 mm
	Borrkrona	68 mm
	Borr med diamantkrona (torr modell)	80 mm
	Stål	13 mm
	Trä	32 mm
Hastighet utan belastning		0 - 1 200 min ⁻¹
Slag per minut		0 - 4 500 min ⁻¹
Total längd		362 mm
Nettovikt		2,7 kg
Säkerhetsklass		□/II

- På grund av vårt pågående program för forskning och utveckling kan dessa specifikationer ändras utan föregående meddelande.
- Specifikationer kan variera mellan olika länder.
- Vikt i enlighet med EPTA-Procedure 01/2003

Avsedd användning

Maskinen är avsedd för slagborrning och borrning i tegel, betong och sten, samt för bearbetningsarbeten. Den är även lämpad för borrning utan slag i trä, metall, keramik och plast.

Strömförsörjning

Maskinen får endast anslutas till elnät med samma spänning som anges på typplåten och med enfasig växelström. De är dubbelisolerade och får därför också anslutas i ojordade vägguttag.

Buller

Den normala bullernivån för A-belastning är bestämd enligt EN60745:

Ljudtrycksnivå (L_{pA}): 90 dB (A)
Ljudeffektnivå (L_{WA}): 101 dB (A)
Måttolerans (K): 3 dB (A)

⚠ VARNING: Använd hörselskydd.

Vibration

Det totala vibrationsvärdet (treaxlad vektorsumma) bestämt enligt EN60745:

Arbetsläge: slagborrning i betong
Vibrationsemission ($a_{h, HD}$): 16,5 m/s²
Måttolerans (K): 1,5 m/s²

Arbetsläge: bearbetningsfunktion med sidohandtag
Vibrationsemission ($a_{h, Chg}$): 9,0 m/s²
Måttolerans (K): 1,5 m/s²

Arbetsläge: borrning i metall
Vibrationsemission ($a_{h, D}$): 2,5 m/s² eller lägre
Måttolerans (K): 1,5 m/s²

OBS: Det deklarerade vibrationsemissionsvärdet har uppmätts i enlighet med standardtestmetoden och kan användas för att jämföra en maskin med en annan.

OBS: Det deklarerade vibrationsemissionsvärdet kan också användas i en preliminär bedömning av exponering för vibration.

⚠ VARNING: Vibrationsemissionen under faktisk användning av maskinen kan skilja sig från det deklarerade emissionsvärdet, beroende på hur maskinen används.

⚠ VARNING: Var noga med att identifiera säkerhetsåtgärder för att skydda användaren, vilka är grundade på en uppskattning av graden av exponering för vibrationer under de faktiska användningsförhållandena, (ta, förutom avtryckartiden, med alla delar av användarcykeln i beräkningen, som till exempel tiden då maskinen är avstängd och när den går på tomgång).

EG-försäkringen om överensstämmelse

Gäller endast inom EU

EG-försäkringen om överensstämmelse inkluderar som bilaga A till denna bruksanvisning.

SÄKERHETSVARNINGAR

Allmänna säkerhetsvarningar för maskiner

⚠ VARNING: Läs igenom alla säkerhetsvarningar och anvisningar. Underlåtenhet att följa varningar och instruktioner kan leda till elstötar, brand och/eller allvarliga personskador.

Spara alla varningar och instruktioner för framtida referens.

Termen "maskin" som anges i varningarna hänvisar till din eldrivna maskin (sladdansluten) eller batteridrivna maskin (sladdlös).

SÄKERHETSVARNINGAR FÖR BORRHAMMARE

1. Använd hörselskydd. Kraftigt buller kan orsaka hörselskador.
2. Använd extrahandtag om det levereras med maskinen. Om du förlorar kontrollen över maskinen kan det leda till personskador.
3. Håll maskinen i de isolerade handtagen om det finns risk för att skärverktyget kan komma i kontakt med en dold elkabel eller sin egen kabel. Om sticksågmaskinen kommer i kontakt med en strömförande ledning blir verktygets blottlagda metalldelar strömförande och kan ge användaren en elektrisk stöt.
4. Använd en hård hjälm (skyddshjälm), skyddsglasögon och/eller ansiktsskydd. Vanliga glasögon och solglasögon är INTE skyddsglasögon. Du bör också bära ett dammskydd och tjockt fodrade handskar.
5. Se till att borret sitter säkert innan maskinen används.
6. Under normal användning vibrerar maskinen. Skruvarna kan lätt lossna, vilket kan orsaka maskinhaveri eller en olycka. Kontrollera att skruvarna är åtdragna innan maskinen används.
7. I kall väderlek, eller när verktyget inte använts under en längre tid, bör du värma upp verktyget genom att använda det utan belastning. Detta gör smörjningen mer viskös. Utan uppvärmning blir det svårt att använda hammaren.
8. Se till att alltid ha ordentligt fotfäste. Se till att ingen står under dig när maskinen används på hög höjd.
9. Håll maskinen stadigt med båda händerna.
10. Håll händerna borta från rörliga delar.
11. Lämna inte maskinen igång. Använd endast maskinen när du håller den i händerna.
12. Rikta inte maskinen mot någon när den används. Borret kan flyga ut och skada någon allvarligt.
13. Rör inte vid borret eller närliggande delar efter användning, då de kan vara extremt varma och orsaka brännskador.

14. Vissa material kan innehålla giftiga kemikalier. Se till att du inte andas in damm eller får det på huden. Följ anvisningarna i leverantörens materialsäkerhetsblad.

SPARA DESSA ANVISNINGAR.

⚠ VARNING: GLÖM INTE att också fortsättningsvis strikt följa säkerhetsanvisningarna för maskinen även efter att du blivit van att använda den. Vid FELAKTIG HANTERING av maskinen eller om inte säkerhetsanvisningarna i denna bruksanvisning följs kan följden bli allvarliga personskador.

FUNKTIONSBESKRIVNING

⚠ FÖRSIKTIGT: Se alltid till att maskinen är avstängd och nätsladden urdragen innan du justerar eller funktionskontrollerar maskinen.

Avtryckarens funktion

⚠ FÖRSIKTIGT: Innan du ansluter maskinen till elnätet ska du kontrollera att avtryckaren fungerar och återgår till läget "OFF" när du släpper den.

⚠ FÖRSIKTIGT: Knappen kan låsas i läget "ON" för att underlätta användning när maskinen används under en längre tid. Var försiktig när du låser maskinen i läget "ON", och fortsatt hålla ett stadigt grepp om maskinen.

► Fig.1: 1. Avtryckare 2. Säkerhetsknapp

Tryck in avtryckaren för att starta verktyget. Hastigheten ökas genom att trycka hårdare på avtryckaren. Släpp avtryckaren för att stoppa maskinen.

För kontinuerlig användning håller du avtryckaren intryckt, skjuter in låsknappen och släpper därefter avtryckaren. Tryck in avtryckaren helt och släpp den sedan för att stoppa maskinen när den är i läst läge.

Reverseringsspakens funktion

⚠ FÖRSIKTIGT: Kontrollera alltid rotationsriktningen före användning.

OBSERVERA: Använd endast reverseringsknappen när maskinen har stoppat helt. Maskinen kan skadas om du byter rotationsriktning medan den fortfarande roterar.

OBSERVERA: Om avtryckaren inte går att trycka in kontrollerar du att reverseringsknappen är helt satt i läge ◀ (sida A) eller ▶ (sida B).

► Fig.2: 1. Reverseringsknapp


Denna maskin har en reverseringsknapp för byte av rotationsriktning. Flytta reverseringsknappen till läget ◀ (A-sidan) för medurs rotation eller till läget ▶ (B-sidan) för moturs rotation.

Välja arbetsläge

OBSERVERA: Använd inte arbetslägesreglaget när verktyget används. Verktyget kan skadas.

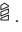
OBSERVERA: För att undvika slitage på mekanismen för lägesändring ska du se till att reglaget för byte av arbetsläge alltid är säkert placerat i ett av de tre arbetslägena.

Slagborrning

Vrid reglaget för byte av arbetsläge till symbolen  för borrning i betong, murbruk mm. Använd ett borr med en spets av volframkarbid (extra tillbehör).


► **Fig.3:** 1. Spak för byte av arbetsläge

Endast borring

Vid borring i trä, metall eller plastmaterial, vrid reglaget för byte av arbetsläge till symbolen . Använd borrar för metall eller trä.

► **Fig.4:** 1. Spak för byte av arbetsläge

Endast slag

Vrid reglaget för byte av arbetsläge till symbolen  för huggmejslings-, gradmejslings- eller demoleringsarbete. Använd en spetsmejsel, kallmejsel, gradmejsel mm.

► **Fig.5:** 1. Spak för byte av arbetsläge

Momentbegränsare

OBSERVERA: Stäng omedelbart av maskinen så snart momentbegränsaren aktiveras. Detta förhindrar onödigt slitage på maskinen.

OBSERVERA: Borr som hålsåg, vilken har en tendens att klämmas eller fastna lätt i hålet, är inte lämplig för denna maskin. Detta för att de gör så att momentbegränsaren aktiveras för ofta.

Momentbegränsaren aktiveras när ett visst vridmoment uppnås. Motorn kopplas bort från borrhäftet. När detta inträffar slutar borret att rotera.

MONTERING

⚠ FÖRSIKTIGT: Se alltid till att maskinen är avstängd och nätsladden urdragen innan maskinen repareras.

Sidohandtag (extrahandtag)

⚠ FÖRSIKTIGT: Använd alltid sidohandtaget för att garantera säker drift.

⚠ FÖRSIKTIGT: Efter installation eller justering av sidohandtaget måste du se till att sidohandtaget sitter ordentligt fast.

Montera sidohandtaget så att tapparna i handtaget passar in i spåren på den cylindriska delen. Dra därefter åt vingskraven medurs för att låsa fast handtaget i önskat läge. Sidohandtaget kan vridas 360° så att det kan sättas fast i valfritt läge.

► **Fig.6:** 1. Sidohandtag 2. Vingskruv 3. Dra åt 4. Lossa

Fett

Täck på förhand borrfästet med en aning fett (ca 0,5 - 1 g).

Smörjningen ger smidig funktion och längre livslängd.

Sätta i och ta ur borrar/mejslar

Rengör borrar-/mejselfästet och applicera fett innan borrar/mejseln monteras.

► **Fig.7:** 1. Borr-/mejselände 2. Fett

Sätt in borret/mejseln i maskinen. Vrid borret/mejseln och tryck in tills det låser fast.

Se efter montering av borret/mejseln till att borret/mejseln sitter ordentligt fast genom att försöka dra ut det.

► **Fig.8:** 1. Borr/mejsel

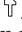
Ta ut borret/mejseln genom att trycka ner chuckskyddet hela vägen och dra ut borret/mejseln.

► **Fig.9:** 1. Borr/mejsel 2. Chuckhölje

Mejselvinkel (vid huggmejsling, gradmejsling eller demolering)

Mejseln kan fästas i önskad vinkel. Roter reglaget för byte av arbetsläge till symbolen O för att ändra mejselvinkeln. Vrid mejseln till önskad vinkel.

► **Fig.10:** 1. Spak för byte av arbetsläge

Vrid reglaget för byte av arbetsläge till symbolen . Se därefter till att mejseln hålls säkert på plats genom att vrida det något.

Djupmätt

Djupmättet är praktiskt för att borra hål med samma djup. Lossa vingskruvarna och justera djupmätaren till önskat djup. Efter justering drar du ordentligt åt vingskruvarna.

► **Fig.11:** 1. Vingskruv 2. Djupmätt

OBS: Djupmätaren kan inte användas i läget där den tar emot växelhuset/motorhuset.

ANVÄNDNING


⚠ FÖRSIKTIGT: Använd alltid sidohandtaget (extrahandtaget) och håll maskinen stadigt med både sidohandtaget och pistolhandtaget när du borrar.

⚠ FÖRSIKTIGT: Se alltid till att arbetsstycket sitter ordentligt fast innan användning.

► **Fig.12**

Slagborring

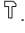
⚠ FÖRSIKTIGT: Maskinen/borrbitset utsätts för en plötslig och oerhört stor vridande kraft vid hålgenomslaget, när hålet fylls av spån och partiklar eller när du slår ner förstärkningar i cement. **Använd alltid sidohandtaget (extrahandtaget) och håll maskinen stadigt med både sidohandtaget och pistolhandtaget när du borrar.** I annat fall är det lätt hänt att du förlorar kontrollen över maskinen, och allvarliga personskador kan då uppstå.

Ställ reglaget för byte av arbetsläge till symbolen . Placera borret där hålet ska vara och tryck sedan in avtryckaren. Tryck inte hårt med maskinen. Lätt tryck ger bäst resultat. Håll maskinen i läge och hindra den från att glida iväg från hålet.

Tryck inte hårdare när hålet fylls med spån eller partiklar. Kör istället maskinen på tomgång, och ta sedan delvis ut borret ur hålet. Genom att upprepa detta flera gånger rensas hålet och normal borring kan återupptas.

OBS: Ojämn rotation av borret kan förekomma om maskinen körs utan belastning. Maskinen centrerar sig automatiskt under arbetet. Detta påverkar inte borringens noggrannhet.

Huggmejsling/gradmejsling/ demolering

Ställ reglaget för byte av arbetsläge till symbolen . Håll verktyget stadigt med båda händerna. Starta maskinen och håll fast den så att den inte studsar omkring okontrollerat.

Det är inte mer effektivt att trycka extremt hårt på verktyget.

► Fig.13

Borring i trä eller metall


⚠ FÖRSIKTIGT: Håll ett stadigt tag i maskinen och var försiktig när borret börjar tränga igenom arbetsstycket. Det utvecklas en enorm kraft på maskinen/borret vid hålgenomslaget.

⚠ FÖRSIKTIGT: Ett borr som fastnat kan enkelt backas ur genom att reversera borringens rotationsriktning. Maskinen kan dock plötsligt backa ut om du inte håller i den ordentligt.

⚠ FÖRSIKTIGT: Fäst alltid arbetsstycken i ett stöd eller liknande fasthållningsanordningar.

OBSERVERA: Använd aldrig "slagborring" när den vanliga borrhucken är monterad på maskinen. Borrhucken kan skadas. Den kommer också att lossna om maskinen körs i reverseringsläge.

OBSERVERA: Borringen går inte fortare för att du trycker hårdare på maskinen. Detta extra tryck skadar bara toppen på ditt borr, sänker maskinens prestanda och förkortar maskinens livslängd.

Ställ reglaget för byte av arbetsläge till symbolen . Du kan borra upp till 13 mm (1/2") diameter i metall och upp till 32 mm (1-1/4") diameter i trä.

Använda en borrhucksats (tillbehör). Se avsnittet "Montering eller demontering av borr/mejsel" när du monterar den.

► Fig.14: 1. Montering av borrhucksats (tillbehör)

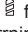
Placera borret så långt in i chucken som möjligt och montera det på plats. Dra åt chucken för hand. Sätt chucknyckeln i vart och ett av de tre hålen och dra åt medurs. Dra åt alla tre chuckhålen med samma moment.

När du vill lossa borret vrider du chucknyckeln moturs i endast ett av hålen, och lossar sedan chucken för hand.

► Fig.15: 1. Chucknyckel

Borring med diamantkrona

OBSERVERA: Om borring med diamantkrona genomförs i funktionsläget "slagborring", kan borret med diamantkrona skadas.

Ställ alltid funktionsreglaget till läget  för att använda funktionen "endast borring", när borring med diamantkrona skall genomföras.

UNDERHÅLL

⚠ FÖRSIKTIGT: Se alltid till att maskinen är avstängd och nätkabeln urdragen innan inspektion eller underhåll utförs.

OBSERVERA: Använd inte bensin, förtunningsmedel, alkohol eller liknande. Missfärgning, deformation eller sprickor kan uppstå.

För att upprätthålla PRODUKTSÄKERHETEN och produktens TILLFÖRLITLIGHET ska reparationer, kontroll och byte av kolborstar samt övriga underhålls- och justeringsåtgärder utföras av ett auktoriserat Makita-servicecenter och endast originalreservdelar från Makita skall användas.

TEKNISKE DATA

Modell:		M8701
Borekapasitet	Betong	26 mm
	Kjernebor	68 mm
	Diamantkjernebor (tørr type)	80 mm
	Stål	13 mm
	Tre	32 mm
Hastighet uten belastning		0 - 1 200 min ⁻¹
Slag per minutt		0 - 4 500 min ⁻¹
Total lengde		362 mm
Nettovekt		2,7 kg
Sikkerhetsklasse		II

- På grunn av vårt kontinuerlige forsknings- og utviklingsprogram kan spesifikasjonene som oppgis i dette dokumentet endres uten varsel.
- Spesifikasjonene kan variere fra land til land.
- Vekt i henhold til EPTA-prosedyre 01/2003

Riktig bruk

Verktøyet er beregnet på hammerboring og boring i mur, betong og stein, samt for meiselarbeid. Det er også egnet for boring uten slag i tre, metall, keramikk og plast.

Strømforsyning

Maskinen må bare kobles til en strømkilde med samme spenning som vist på typeskiltet, og kan bare brukes med enfase-vekselstrømforsyning. Den er dobbelt verneisoleret og kan derfor også brukes fra kontakter uten jording.

Støy

Typisk A-vektet lydtryknivå er bestemt i henhold til EN60745:

Lydtryknivå (L_{pA}): 90 dB (A)

Lydeffektnivå (L_{WA}): 101 dB (A)

Usikkerhet (K): 3 dB (A)

ADVARSEL: Bruk hørselsvern.

Vibrasjoner

Den totale vibrasjonsverdien (triaksial vektorsum) bestemte i henhold EN60745:

Arbeidsmodus: Hammerboring inn i betong

Genererte vibrasjoner ($a_{h,HD}$): 16,5 m/s²

Usikkerhet (K): 1,5 m/s²

Arbeidsmodus: meiselfunksjon med støttehåndtak

Genererte vibrasjoner ($a_{h,CHEQ}$): 9,0 m/s²

Usikkerhet (K): 1,5 m/s²

Arbeidsmodus: Bore inn i metall

Genererte vibrasjoner ($a_{h,D}$): 2,5 m/s² eller mindre

Usikkerhet (K): 1,5 m/s²

MERK: Den angitte verdien for de genererte vibrasjonene er målt i samsvar med standardtestmetoden og kan brukes til å sammenlikne et verktøy med et annet.

MERK: Den angitte verdien for de genererte vibrasjonene kan også brukes til en foreløpig vurdering av eksponeringen.

ADVARSEL: De genererte vibrasjonene ved faktisk bruk av elektroverktøyet kan avvike fra den angitte vibrasjonsverdien, avhengig av hvordan verktøyet brukes.

ADVARSEL: Sørg for å identifisere vernetiltak for å beskytte operatøren, som er basert på et estimat av eksponeringen under de faktiske bruksforholdene (idet det tas hensyn til alle deler av driftssyklusen, dvs. hvor lenge verktøyet er slått av, hvor lenge det går på tomgang og hvor lenge startbryteren faktisk holdes trykket).

EFs samsvarserklæring

Gjelder kun for land i Europa

EFs samsvarserklæring er lagt til som vedlegg A i denne bruksanvisningen.

SIKKERHETSADVARSEL

Generelle advarsler angående sikkerhet for elektroverktøy

⚠ADVARSEL: Les alle sikkerhetsadvarslene og alle instruksjonene. Hvis du ikke følger alle advarslene og instruksjonene som er oppført nedenfor, kan det føre til elektriske støt, brann og/eller alvorlige helseskader.

Oppbevar alle advarsler og instruksjoner for senere bruk.

Uttrykket «elektrisk verktøy» i advarslene refererer både til elektriske verktøy (med ledning) tilkoblet strømmenettet, og batteridrevne verktøy (uten ledning).

SIKKERHETSADVARSLER FOR BORHAMMER

1. **Bruk hørselsvern.** Støy kan føre til nedsatt hørsel.
2. **Bruk hjelpehåndtak, hvis det (de) følger med maskinen.** Hvis maskinen kommer ut av kontroll, kan det resultere i helseskader.
3. **Hold maskinen i det isolerte håndtaket når skjæreverktøyet kan komme i kontakt med skjulte ledninger eller maskinens egen ledning under arbeidet.** Hvis kutteutstyret kommer i kontakt med "strømførende" ledninger, kan ikke-isolerte metalldele i maskinen bli "strømførende" og kunne gi brukeren elektrisk støt.
4. **Bruk hjelm, vernebriller og/eller ansiktsmaske.** Vanlige briller og solbriller er IKKE vernebriller. Det anbefales også på det sterkeste å bruke støvmaske og kraftig polstrede hansker.
5. **Vær sikker på at boret er skikkelig festet før du starter verktøyet.**
6. **Verktøyet er laget slik at det vil vibrere under vanlig bruk.** Skruene kan lett løsne, noe som kan forårsake et verktøysammenbrudd eller en ulykke. Før bruk må du derfor kontrollere grundig at skruene ikke er løse.
7. **I kaldt vær, eller når verktøyet ikke har vært i bruk på lenge, må du varme opp verktøyet ved å la det gå en stund uten belastning.** Dette vil myke opp smøremiddelet. Hvis verktøyet ikke er skikkelig oppvarmet, vil det være vanskelig å bruke hammeren.
8. **Pass på at du har godt fotfeste.** Forviss deg om at ingen står under deg når du jobber høyt over bakken.
9. **Hold maskinen godt fast med begge hender.**
10. **Hold hendene unna bevegelige deler.**
11. **Ikke gå fra verktøyet mens det er i gang.** Verktøyet må bare brukes mens operatøren holder det i hendene.
12. **Ikke rett verktøyet mot personer i nærheten mens det er i bruk.** Boret kan fly ut og skade noen alvorlig.

13. **Ikke berør boret eller meiselen eller deler i nærheten av boret eller meiselen umiddelbart etter at verktøyet har vært i bruk, da disse kan være ekstremt varme og kan gi brannskader.**
14. **Enkelte materialer inneholder kjemikalier som kan være giftige.** Treff tiltak for å hindre hudkontakt og innånding av støv. Følg leverandørens sikkerhetsanvisninger.

TA VARE PÅ DISSE INSTRUKSENE.

⚠ADVARSEL: IKKE LA hensynet til hva som er "behagelig" eller det faktum at du kjenner produktet godt (etter mange gangers bruk) gjøre deg mindre oppmerksom på sikkerhetsreglene for bruken av det aktuelle produktet. Ved MISBRUK eller hvis ikke sikkerhetsreglene i denne bruksanvisningen følges, kan det oppstå alvorlig personskade.

FUNKSJONSBEKRIVELSE

⚠FORSIKTIG: Forviss deg alltid om at maskinen er slått av og støpselet trukket ut av kontakten før du justerer eller kontrollerer de mekaniske funksjonene.

Bryterfunksjon

⚠FORSIKTIG: Før du kobler maskinen til strømmenettet, må du alltid kontrollere at startbryteren aktiverer maskinen på riktig måte og går tilbake til «AV»-stilling når den slippes.

⚠FORSIKTIG: Bryteren kan sperres i "ON"-stilling, for å gjøre det lettere for operatøren ved langvarig bruk. Vær forsiktig når du sperrer verktøyet i "ON"-stilling, og hold det godt fast.

► Fig.1: 1. Startbryter 2. Avsperringsknapp

Trykk på startbryteren for å starte verktøyet. Verktøyet hastighet øker når du trykker hardere på startbryteren. Slipp bryteren for å stanse verktøyet.

Når verktøyet skal brukes kontinuerlig, må du trykke inn startbryteren, trykke inn sperreknappen og deretter slippe startbryteren. Hvis du vil stanse verktøyet mens det er låst i "PA"-stilling, må du trykke startbryteren helt inn og så slippe den igjen.

Reverseringsfunksjon

⚠FORSIKTIG: Før arbeidet begynner, må du alltid kontrollere rotasjonsretningen.

OBS: Bruk reversbryteren bare etter at verktøyet har stoppet helt. Hvis du endrer rotasjonsretningen før verktøyet har stoppet, kan det bli ødelagt.

OBS: Hvis startbryteren ikke kan trykkes inn, må du kontrollere om reversbryteren er stilt helt inn i posisjon ◀ (A-side) eller ▶ (B-side).

► Fig.2: 1. Reverseringsspak


Dette verktøyet har en reversbryter som kan brukes til å endre rotasjonsretningen. Beveg reversbryterspaken til posisjon ◀ (A-side) for å velge rotasjon med klokken eller til posisjon ▶ (B-side) for å velge rotasjon mot klokken.

Velge en funksjon

OBS: Ikke drei på funksjonsvelgeren mens verktøyet sviver. Verktøyet blir ødelagt.


OBS: For å unngå hurtig slitasje av funksjonsvelgermekanismen, må du passe på at funksjonsvelgeren alltid er plassert skikkelig i én av de tre funksjonsposisjonene.

Rotasjon med hammerboring

Når du skal bore i betong, mur osv., må du drie funksjonsvelgeren til den peker på -symbolet. Bruk et bor med wolframkarbidspiss (valgfritt tilbehør).


► **Fig.3:** 1. Funksjonsvelger

Bare rotasjon

Når du skal bore i tre, metall eller plastmaterialer, må du drie funksjonsvelgeren til den peker på -symbolet. Bruk et spiralbor eller trebor.

► **Fig.4:** 1. Funksjonsvelger

Bare hammerboring

Når du skal meisle, pikke eller brette, må du drie funksjonsvelgeren til den peker på -symbolet. Bruk en spissmeisel, flatmeisel, bredmeisel, osv.

► **Fig.5:** 1. Funksjonsvelger

Momentbegrensere

OBS: Så snart momentbegrenseren aktiveres, må du umiddelbart slå av verktøyet. Dette vil hjelpe deg til å unngå at verktøyet blir for tidlig slitt.

OBS: Bor, som f.eks. en stikksag, som har en tendens til å bli klemt eller sette seg fast i hullet, passer ikke for dette verktøyet. Det kommer av at momentbegrenseren da vil aktiveres for ofte.

Momentbegrenseren aktiveres når et bestemt momentnivå blir nådd. Motoren vil da frikobles fra utgående aksel. Når dette skjer, vil boret slutte å rotere.

MONTERING

⚠FORSIKTIG: Forviss deg alltid om at maskinen er slått av og støpelet trukket ut av kontakten før du utfører noe arbeid på maskinen.

Støttehåndtak (hjelpeshåndtak)

⚠FORSIKTIG: Bruk alltid støttehåndtaket for å bruke verktøyet på en sikker måte.

⚠FORSIKTIG: Når du har montert eller justert støttehåndtaket, må du passe på at støttehåndtaket sitter godt fast.

Monter støttehåndtaket slik at fremspringene nederst på håndtaket passer inn mellom sporene på verktøysylindere. Trekk deretter til vingeskruen for å feste håndtaket i ønsket stilling.

Støttehåndtaket kan dreies 360° og kan festes i en hvilken som helst posisjon.

► **Fig.6:** 1. Støttehåndtak 2. Vingeskrue 3. Trekke til 4. Løsne

Smørefett

Smør den innerste delen av endeskaffet på boret/meiselen med litt fett (ca. 0,5–1 g).

Denne kjøksmøringen sikrer jevn rotasjon og lengre levetid.

Montere eller fjerne boret/meiselen

Rengjør den innerste delen av endeskaffet på boret/meiselen, og påfør fett før du monterer boret/meiselen.

► **Fig.7:** 1. Den innerste delen av endeskaffet på boret/meiselen 2. Smørefett

Sett inn boret/meiselen i verktøyet. Vri og skyv på boret/meiselen inntil det/den sitter.

Etter montering av boret/meiselen må du alltid forsikre deg om at boret/meiselen sitter som det/den skal ved å prøve å dra det/den ut.

► **Fig.8:** 1. Bor/meisel

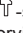
Ta ut boret/meiselen ved å trekke kjoksdekselet helt ned og dra ut boret/meiselen.

► **Fig.9:** 1. Bor/meisel 2. Kjoksdeksel

Meiselvinkel (ved meisling, pikking eller brekking)

Meiselen kan festes i ønsket vinkel. For å endre meiselvinkelen må du drie funksjonsvelgeren til den peker på O-symbolet. Drei meiselen til ønsket vinkel.

► **Fig.10:** 1. Funksjonsvelger

Drei funksjonsvelgeren til den peker på -symbolet. Deretter må du drie meiselen litt for å forvise deg om at den sitter godt.

Dybdemåler

Dybdemåleren er praktisk ved boring av hull som skal ha samme dybde. Løsne vingeskruen, og juster dybdemåleren til ønsket dybde. Når du har justert dybdemåleren, trekker du vingeskruen godt til.

► **Fig.11:** 1. Vingeskrue 2. Dybdemåler

MERK: Dybdemåleren kan ikke brukes i en stilling hvor måleren berører girhuset.

BRUK


⚠FORSIKTIG: Bruk alltid støttehåndtaket (hjelpehåndtaket), og hold maskinen støtt med både støttehåndtak og hovedhåndtak når du bruker den.

⚠FORSIKTIG: Sørg alltid for at arbeidsstykket sitter godt fast før du går i gang.

► Fig.12

Slagborfunksjon


⚠FORSIKTIG: Verktøyet/boret utsettes for voldsomme og plutselige vridninger i det øyeblikket det bores hull, når hullet fylles opp av biter og partikler, eller når du treffer armeringsjernet i betongen. **Bruk alltid støttehåndtaket (hjelpehåndtaket), og hold maskinen støtt med både støttehåndtak og hovedhåndtak når du bruker den.** Hvis du ikke gjør det, kan du miste kontrollen og potensielt risikere alvorlige skader.

Still funksjonsvelgeren på -symbolet. Plasser boret der du vil bore hullet, og trykk så på startbryteren. Ikke bruk makt. Lett trykk gir de beste resultatene. Hold verktøyet i riktig posisjon, og sørg for at det ikke glir bort fra hullet.

Ikke legg mer press på verktøyet når hullet fylles av biter eller partikler. La i stedet verktøyet gå på tomgang, og trekk deretter boret delvis ut av hullet. Ved å gjenta dette flere ganger, vil hullet rengjøres, og normal boring kan gjenopptas.

MERK: Hvis verktøyet brukes uten belastning, kan det forekomme kast i borrotasjonen. Under bruk sentererer verktøyet seg automatisk. Dette påvirker ikke borenøyaktigheten.

Meisling/avskalling/nedring

Still funksjonsvelgeren på -symbolet. Hold verktøyet godt fast med begge hender. Slå på verktøyet, og legg trykk på det slik at det ikke beveger seg ukontrollert.

Hvis du trykker for hardt, blir verktøyet mindre effektivt.
► Fig.13

Boring i treverk eller metall

⚠FORSIKTIG: Hold verktøyet i et fast grep, og vær forsiktig når skrutrekkerboret begynner å bryte gjennom arbeidsstykket. I gjennombruddsøyeblikket virker det en enorm kraft på verktøyet/skrutrekkerboret.


⚠FORSIKTIG: Et skrutrekkerbor som sitter fast kan fjernes hvis du setter reversbryteren til motsatt rotasjonsretning, så verktøyet kan bakke ut. Verktøyet kan imidlertid komme brått ut hvis du ikke holder det i et fast grep.

⚠FORSIKTIG: Arbeidsstykker må alltid festes med en skrustikke eller en liknende festeanordning.

OBS: "Rotasjon med hammerboring" må ikke brukes når borekjoksen er montert på verktøyet. Borekjoksen kan bli ødelagt.

I tillegg løsner borekjoksen når verktøyet reverseres.

OBS: Hvis du bruker for mye kraft på verktøyet, vil det ikke øke borehastigheten. Overdreven bruk av kraft vil tvert imot kunne bidra til å ødelegge spissen av skrutrekkerboret, redusere verktøyeffekten og forkorte verktøyets levetid.

Sett funksjonsvelgeren på -symbolet. Du kan bore inntil 13 mm (1/2") diameter i metall og inntil 32 mm (1-1/4") diameter i treverk.

Bruk borekjoksmodulen (valgfritt tilbehør). Når du monterer den, se delen "Montere eller demontere bor/meisel".

► Fig.14: 1. Borekjoksmodul (valgfritt tilbehør)

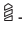
Monter boret ved å sette det så langt inn i kjoksen som mulig. Stram kjoksen for hånd. Sett kjoksnøkkelen inn i hvert av de tre hullene etter tur, og trekk til ved å dreie med klokken. Sørg for at alle de tre kjokshullene trekkes til jevnt.

Du kan fjerne boret ved å vri kjoksnøkkelen mot klokken i ett av hullene og deretter løse kjoksen for hånd.

► Fig.15: 1. Kjoksnøkkel

Diamantkjerneboring

OBS: Hvis du foretar diamantkjerneboring med funksjonen "rotasjon med hammerboring", kan diamantkjerneboret bli skadet.

Ved diamantkjerneboring må du alltid sette funksjonsvelgeren i -posisjonen for å bruke "bare rotasjon"-funksjonen.

VEDLIKEHOLD

⚠FORSIKTIG: Forviss deg alltid om at maskinen er slått av og støpselet trukket ut av kontakten før du foretar inspeksjon eller vedlikehold.

OBS: Aldri bruk gasolin, bensin, tynner alkohol eller lignende. Det kan føre til misfarging, deformering eller sprekke dannelse.

For å opprettholde produktets SIKKERHET og PÅLITELIGHET, må reparasjoner, inspeksjoner og bytte av kullbørstene, samt vedlikehold og justeringer utføres av autoriserte Makita servicesentre, og det må alltid brukes reservedeler fra Makita.

TEKNISET TIEDOT

Malli:		M8701
Porauskapasiteetti	Betoni	26 mm
	Timanttioranterä	68 mm
	Timanttioranterä (Kuivatyyppinen)	80 mm
	Teräs	13 mm
	Puu	32 mm
Kuormittamaton kierrosnopeus		0 - 1 200 min ⁻¹
Lyöntiä minuutissa		0 - 4 500 min ⁻¹
Kokonaispituus		362 mm
Nettopaino		2,7 kg
Suojausluokka		□/II

- Jatkuvasta tutkimus- ja kehitystyöstämme johtuen esitetyt tekniset tiedot saattavat muuttua ilman erillistä ilmoitusta.
- Tekniset tiedot voivat vaihdella maittain.
- EPTA-menettelyn 01/2003 mukainen paino

Käyttötarkoitus

Työkalu on tarkoitettu tiilien, betonin ja kiven iskuporauskeeseen sekä puun, metallin, keramiikan ja muovin tavalliseen poraukseen.

Virtälähde

Koneen saa kytkä vain sellaiseen virtalähteeseen, jonka jännite on sama kuin arvokilvessä ilmoitettu, ja sitä saa käyttää ainoastaan yksivaiheisella vaihtovirralla. Laite on kaksinkertaisesti suojaeristetty ja siksi se voidaan kytkeä myös maadoittamattomaan pistorasiaan.

Melutaso

Tyypillinen A-painotettu melutaso määräytyy standardin EN60745 mukaan:

Äänenpainetaso (L_{pA}): 90 dB (A)

Äänen voiman taso (L_{WA}): 101 dB (A)

Virhemarginaali (K): 3 dB (A)

VAROITUS: Käytä kuulosuojaimia.

Tärinä

Kokonaistärinä (kolmen akselin vektorien summa) määräytyy standardin EN60745 mukaan:

Työtila: betonin iskuporaaminen

Tärinäpäästö ($a_{h,HD}$): 16,5 m/s²

Virhemarginaali (K): 1,5 m/s²

Työtila: talttaaminen suoraa sivukahvaa käyttäen

Tärinäpäästö ($a_{h,Ched}$): 9,0 m/s²

Virhemarginaali (K): 1,5 m/s²

Työtila: metalliin poraus

Tärinäpäästö ($a_{h,D}$): 2,5 m/s² tai alhaisempi

Virhemarginaali (K): 1,5 m/s²

HUOMAA: Ilmoitettu tärinäpäästöarvo on mitattu standarditestausten menetelmän mukaisesti, ja sen avulla voidaan vertailla työkaluja keskenään.

HUOMAA: Ilmoitettua tärinäpäästöarvoa voidaan käyttää myös altistumisen alustavaan arviointiin.

VAROITUS: Työkalun käytön aikana mitattu todellinen tärinäpäästöarvo voi poiketa ilmoitetusta tärinäpäästöarvosta työkalun käyttötavan mukaan.

VAROITUS: Selvitä käyttäjän suojaamiseksi tarvittavat varotoimet todellisissa käyttöolosuhteissa tapahtuvan arvioidun altistumisen mukaisesti (ottaen huomioon käyttöjaksokokonaisuudessaan, myös jaksot, joiden aikana työkalu on sammutettuna tai käy tyhjäkäynnillä).

EY-vaatimustenmukaisuusvakuutus

Koskee vain Euroopan maita

EY-vaatimustenmukaisuusvakuutus on liitetty tähän käyttöoppaaseen.

TURVAVAROITUKSET

Sähkötyökalujen käyttöä koskevat yleiset varoitukset

VAROITUS: Lue huolellisesti kaikki turvallisuusvaroitukset ja käyttöohjeet. Jos varoitusten ja ohjeiden noudattaminen laiminlyödään, seurauksena voi olla sähköisku, tulipalo ja/tai vakava vammautuminen.

Säilytä varoitukset ja ohjeet tulevaa käyttöä varten.

Varoituksissa käytettävällä termillä ”sähkötyökalu” tarkoitetaan joko verkkovirtaa käyttävää (johdollaista) työkalua tai akkukäyttöistä (johdotonta) työkalua.

PORAVASARAN TURVALLISUUSOHJEET

- Käytä kuulosuojaimia.** Melulle altistuminen saattaa aiheuttaa kuulokyvyn heikentymistä.
- Käytä työkalun mukana mahdollisesti toimitettua lisäkavvaa tai -kahvoja.** Hallinnan menetys voi aiheuttaa henkilövahinkoja.
- Pidä sähkötyökalua sen eristetyistä tartuntapinnoista silloin, kun on mahdollista, että sen terä saattaa osua piilossa oleviin johtoihin tai koneen omaan virtajohtoon.** Jos leikkaustyökalu joutuu kosketukseen jännitteisen johdon kanssa, jännite voi siirtyä työkalun sähköä johtaviin metalliosiin ja aiheuttaa käyttäjälle sähköiskun.
- Käytä kovaa päähinettä (suojakypärää), suojalaseja ja/tai kasvosuojusta.** Tavalliset silmä- tai aurinkolasit EIVÄT ole suojalaseja. Myös hengityssuojaimen ja paksujen käsineiden käyttö on suositeltavaa.
- Varmista ennen työskentelyn aloittamista, että terä on kiinnitetty tiukasti paikoilleen.**
- Laitte on suunniteltu siten, että se tärisee normaalkäytössä.** Ruuvit voivat irrota hyvinkin helposti aiheuttaen laitteen rikkoutumisen tai onnettomuuden. Tarkasta ruuvien kireys huolellisesti ennen käyttöä.
- Jos ilma on kylmä tai konetta ei ole käytetty pitkään aikaan, anna sen lämmetä jonkin aikaa tyhjäkäynnillä.** Tämä tehostaa laitteen voitelua. Vasarointi voi olla hankalaa ilman asianmukaista esilämmitystä.
- Seiso aina tukevassa asennossa.** Varmista korkealla työskennellessäsi, että ketään ei ole alapuolella.
- Pidä työkalusta lujasti molemmin käsin.**
- Pidä kädet poissa liikkuvien osien luota.**
- Älä jätä työkalua käymään itseksensä.** Käytä laitetta vain silloin, kun pidät sitä kädessä.
- Älä osoita laitteella ketään, kun käytät sitä.** Terä saattaa lennättää irti ja aiheuttaa vakavan loukkaantumisen.
- Älä kosketa terää tai sen lähellä olevia osia välittömästi käytön jälkeen, sillä ne voivat olla erittäin kuumia ja aiheuttaa palovammoja.**
- Jotkin materiaalit sisältävät kemikaaleja, jotka voivat olla myrkyllisiä.** Huolehdi siitä, että pölyn sisäinhengittäminen ja ihokosketus estetään. Noudata materiaalin toimittajan turvaohjeita.

SÄILYTÄ NÄMÄ OHJEET.

VAROITUS: ÄLÄ anna työkalun helpokäyttöisyyden (toistuvan käytön aikaansaama) johtaa sinua väärään turvallisuuden tunteeseen niin, että laiminlyöt työkalun turvaohjeiden noudattamisen. VÄÄRINKÄYTTÖ tai tässä käyttöohjeessa ilmoitettujen turvamääräysten laiminlyönti voi aiheuttaa vakavia henkilövahinkoja.

TOIMINTOJEN KUVAUS

HUOMIO: Varmista aina ennen koneen säätöjen ja toiminnallisten tarkistusten tekemistä, että kone on sammutettu ja irrotettu pistorasiasta.

Kytkimen käyttäminen

HUOMIO: Tarkista aina ennen työkalun liittämistä virtalähteeseen, että liipaisinkytkin kytkeytyy oikein ja palaa asentoon ”OFF”, kun se vapautetaan.

HUOMIO: Kytkimen voi lukita ”ON”-asentoon, jotta pitkäaikainen käyttö olisi käyttäjälle mukavampaa. Ole varovainen, kun lukitset työkalun ”ON”-asentoon ja pidä työkalusta luja ote.

► **Kuva1:** 1. Liipaisinkytkin 2. Lukon vapautuspainike

Käynnistä työkalu vetämällä liipaisinkytkintä. Työkalun nopeus kasvaa liipaisinkytkimeen kohdistuvaa voimaa lisääessä. Pysäytä vapauttamalla liipaisinkytkin.

Jatkuvaa toimintaa varten vedä liipaisinkytkimestä, työnnä lukituspainiketta ja vapauta sitten liipaisinkytkin. Kun haluat pysäyttää työkalun jatkuvan käynnin, vedä liipaisinkytkin ensin pohjaan ja vapauta se sitten.

Pyörimissuunnan vaihtokytkimen toiminta

HUOMIO: Tarkista aina pyörimissuuntaa ennen käyttöä.

HUOMAUTUS: Käytä pyörimissuunnan vaihtokytkintä vasta sen jälkeen, kun kone on lakannut kokonaan pyörimästä. Pyörimissuunnan vaihto koneen vielä pyöriessä voi vahingoittaa sitä.

HUOMAUTUS: Jos laukaisukytkintä ei voi painaa alas, tarkasta, että vaihtokytkin on täysin asetettu asentoon ◁ (A puoli) tai ▷ (B puoli).

► **Kuva2:** 1. Pyörimissuunnan vaihtokytkimen vipu

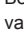
Työkalussa on pyörimissuunnan vaihtokytkin. Jos haluat terän pyöriävän myötäpäivään, siirrä vaihtokytkin asentoon ◁ (A puoli), ja jos vastapäivään, siirrä se asentoon ▷ (B puoli).

Toiminnon valitseminen

HUOMAUTUS: Älä liikuta toimintatilan valintanuppia, kun työkalu on käynnissä. Työkalu voi rikkoutua.

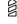
HUOMAUTUS: Toimintatavan valintamekanismin kulumisen estämiseksi varmista, että valintanappi on aina selvästi jossakin kolmesta asennosta.

Poraus iskutoiminnolla

Betoniin, muuriin, jne. poraamiseksi pyöritä toimintatilan vaihtonuppia  symbolia kohti. Käytä kovametalliterää (lisävaruste).


► **Kuva3:** 1. Toimintatilan valintanuppi

Vain poraus

Kun poraat puuta, metallia tai muovia, siirrä toimintatilan vaihtovipu  symbolia kohti. Käytä kieräterää tai puun poraukseen tarkoitettua terää.

► **Kuva4:** 1. Toimintatilan valintanuppi

Vain iskutoiminto

Veistämiseksi, saostamiseksi tai purkaustöiden tekemiseksi kierrä toimintatilan vaihtonuppia  symbolia kohti. Käytä piikkitalttaa, kylmätaluttaa, leveää talttaa jne.

► **Kuva5:** 1. Toimintatilan valintanuppi

Vääntömomentin rajoitin

HUOMAUTUS: Sammuta työkalu heti, kun vääntömomentin rajoitin kytkeytyy päälle. Näin voidaan ehkäistä työkalun liian nopea kuluminen.

HUOMAUTUS: Terät, kuten reikäterä, joilla on taipumusta puristua tai juuttua helposti reikään, eivät ole sopivia tähän työkaluun. Tämä johtuu siitä, että vääntömomentin rajoitin kytkeytyy päälle liian usein niitä käytettäessä.

Vääntömomentin rajoitin aktivoituu, kun vääntömomentti saavuttaa tietyn tason. Tällöin moottori kytkeytyy irti käyttöakselista. Samalla terä lakkaa pyörimästä.

KOKOONPANO

▲HUOMIO: Varmista aina ennen koneelle tehtäviä toimenpiteitä, että kone on sammutettu ja irrotettu pistorasiasta.

Sivukahva (apukahva)

▲HUOMIO: Käytä aina sivukahvaa käyttöturvallisuuden varmistamiseksi.

▲HUOMIO: Varmista, että sivukahva on paikallaan luotettavasti sen asentamisen tai säätämisen jälkeen.

Asenna sivukahva niin, että sen ulkonemat menevät työkalun istukan urien väliin. Tämän jälkeen kiristä siipiruuvia myötäpäivään kahvan kiinnittämiseksi haluttuun asentoon.

Sivukahva on käännettävissä 360° ja lukittavissa mihin tahansa asentoon.

► **Kuva6:** 1. Sivukahva 2. Siipiruuvi 3. Kiristä 4. Löysää

Voitele

Levitä poranterän/talttaterän karanpään etukäteen pieni määrä rasvaa (noin 0,5 - 1 g). Tämä istukan voitelu varmistaa tasaisen toiminnan ja pitkän käyttöiän.

Poranterän/talttaterän kiinnittäminen tai irrottaminen

Puhdista poranterän/talttaterän karanpää ja levitä rasvaa ennen poranterän/talttaterän asentamista.

► **Kuva7:** 1. Poranterän/talttaterän karanpää 2. Voitele

Työnnä poranterä/talttaterä työkaluun. Kierrä poranterää/talttaterää ja työnnä sitä, kunnes se kytkeytyy työkaluun.

Poranterän/talttaterän asentamisen jälkeen varmista, että se on lukittuna paikalleen yrittämällä vetää sitä irti työkalusta.

► **Kuva8:** 1. Poranterä/talttaterä


Irrota poranterä/talttaterä painamalla istukan suojus täysin alas ja vetämällä poranterä/talttaterä irti.

► **Kuva9:** 1. Poranterä/talttaterä 2. Istukan suojus

Talttateräkulma (piikatessa, kuoriessa ja rakenteita rikottaessa)

Talttaterä voidaan kiristää haluttuun kulmaan. Jos haluat muuttaa talttaterän kulmaa, kierrä toimintatilan vaihtonuppi kohtia O-symbolia. Käännä talttaterä haluttuun kulmaan.

► **Kuva10:** 1. Toimintatilan valintanuppi

Kierrä toimintatilan valintanuppia  symbolia kohti. Varmista sitten talttaterää kiertämällä, että terä on tukevasti paikallaan.

Syvyystulkki

Syvyysmittari on kätevä saman syvyisten reikien poraamisessa. Löysää siipiruuvia ja säädä syvyystulkki haluttuun syvyyteen. Kiristä säädön jälkeen siipiruuvi luotettavasti kiinni.

► **Kuva11:** 1. Siipiruuvi 2. Syvyystulkki

HUOMAA: Syvyystulkkia ei voida käyttää asennossa, jossa se koskettaa vaihteistoa/moottorin runkoa.

TYÖSKENTELY


▲HUOMIO: Käytä aina sivukahvaa (apukahvaa) ja pidä työkalusta tiukasti toinen käsi sivukahvalla ja toinen kytkinkahvalla työskentelyn aikana.

▲HUOMIO: Varmista aina, että työkalu on kiinnitetty luotettavasti paikalleen ennen työkalun käyttöä.

► **Kuva12**

Iskuporatoiminta


▲HUOMIO: Työkaluun/poranterään kohdistuu valtava voima, kun terä menee läpi työkappaleesta, kun reikä tukkeutuu lastuista ja purusta tai kun terä osuu betoniraidoitukseen. **Käytä aina sivukahvaa (apukahvaa) ja pidä työkalusta tiukasti toinen käsi sivukahvalla ja toinen kytkinkahvalla työskentelyn aikana.** Jos näin ei tehdä, seurauksena voi olla työkalun hallinnan menetys ja mahdollisesti vakava vamma.

Aseta toimintatilan valintanuppi  symbolia kohti. Aseta poranterä haluttuun kohtaan reiän poraamista varten ja tämän jälkeen vedä laukaisinkytkimestä. Älä käytä tarpeetonta voimaa. Kevyt paine takaa parhaan lopputuloksen. Pidä työkalu paikallaan ja estä sen liukumista pois aukosta.

Jos reikä tukkeutuu lastuista ja purusta, älä käytä lisävoimaa. Anna sen sijaan työkalun käydä joutokäynnillä ja vedä terä osittain ulos reiästä. Toista tämä useampaan kertaan, jolloin reikä puhdistuu ja voit jatkaa poraamista.

HUOMAA: Terä voi pyöriä epäkeskoisesti, jos työkalua käytetään ilman kuormaa. Varsinaisen porauksen aikana työkalu keskittää itsensä automaattisesti. Tämä ei vaikuta porauksen tarkkuuteen.

Piikkaus/Kuorinta/Purkutyö

Aseta toimintatilan valintanuppi  symbolia kohti. Pidä työkalusta luotettavasti kiinni molemmilla käsilläsi. Käynnistä työkalu ja paina työkalua kevyesti niin, ettei työkalu liiku hallitsemattomasti ympärilleen. Tehokkuus ei kasva painamalla työkalua liian voimakkaasti.

► Kuva13

Poraus puuhun tai metalliin


▲HUOMIO: Pidä työkalu tukevassa otteessa ja ole varovainen, kun terä alkaa porautua läpi työkappaleesta. Työkaluun/terään kohdistuu valtava voima, kun terä porautuu läpi.

▲HUOMIO: Juuttuneen terän voi irrottaa vaihtamalla terän pyörimissuuntaa ja peruuttaa. Pidä kuitenkin työkalusta lujasti kiinni, sillä se voi tökätä taaksepäin äkkinäisesti.

▲HUOMIO: Kiinnitä työkappaleet aina viilapenkkiin tai vastaavaan pidikkeeseen.

HUOMAUTUS: Älä koskaan käytä poraamiseen "iskutoimintoa" teräistukan ollessa asennettuna työkaluun. Poraistukka voi vaurioitua. Poraistukka voi myös tulla pois kun työkalun pyörimissuuntaa muutetaan.

HUOMAUTUS: Työkalun painaminen liian voimakkaasti ei nopeuta poraamista. Päinvastoin liiallinen paine vain tylsyttää poranterää, hidastaa työtä ja lyhentää työkalun käyttöikää.

Kierrä toimintatilan valintanuppi  symbolia kohti. Voit porata halkaisijaltaan 13 mm asti metalliin (1/2") ja halkaisijaltaan 32 mm asti (1-1/4") puuhun.

Teräistukkalaiteen käyttö (lisävaruste). Katso asennusohjeet luvusta "Poranterän/talattaterän kiinnitys tai irrotus".

► **Kuva14:** 1. Teräistukkalaite (lisävaruste)


Asenna poranterä työntämällä se istukkaan niin syvälle kuin se menee. Kiristä istukka käsin. Aseta istukan avain kuhunkin kolmesta reiästä ja kiristä myötäpäivään. Varmista, että olet kiristänyt kaikki kolme istukan reikää tasaisesti.

Poranterä irrotetaan kääntämällä istukan avainta vastapäivään vain yhdestä reiästä, jonka jälkeen istukka avataan käsin.

► **Kuva15:** 1. Istukan avain

Timanttiporanterällä poraus

HUOMAUTUS: Jos poraat timanttiporanterällä "iskutoimintoa" käyttäen, timanttiporanterä voi vahingoittua.

Kun poraat timanttiporanterällä, aseta aina vaihtovipu asentoon  "vain poraus" normaalia poraustoimintoa varten.

KUNNOSSAPITO

▲HUOMIO: Varmista aina ennen tarkastuksia ja huoltotöitä, että työkalu on sammutettu ja irrotettu virtalähteestä.

HUOMAUTUS: Älä koskaan käytä bensiiniä, ohenteita, alkoholia tai tms. aineita. Muutoin pinta voi halkeilla tai sen värit ja muoto voivat muuttua. Muutoin laitteeseen voi tulla värjäytyymiä, muodon vääristymiä tai halkeamia.

Tuotteen TURVALLISUUDEN ja LUOTETTAVUUDEN varmistamiseksi kaikki korjaukset, hiiliharjojen tarkistukset ja vaihdot sekä muut sekä muut huolto- tai säätötyöt on teettava Makitan valtuutetussa tai tehtaan huoltopisteessä Makitan varaosia käyttäen.

SPECIFIKĀCIJAS

Modelis:		M8701
Urbšanas spēja	Betons	26 mm
	Cilindrisks urbis	68 mm
	Dimanta cilindriskais urbis (sausā tipa)	80 mm
	Tērauds	13 mm
	Koks	32 mm
Ātrums bez slodzes		0 - 1 200 min ⁻¹
Trieieni minūtē		0 - 4 500 min ⁻¹
Kopējais garums		362 mm
Tīrsvars		2,7 kg
Drošības klase		II/II

- Nepārtrauktās izpētes un izstrādes programmas dēļ šeit uzrādītās specifikācijas var tikt mainītas bez brīdinājuma.
- Atkarībā no valsts specifikācijas var atšķirties.
- Svārs saskaņā ar EPTA-Procedure 01/2003

Paredzētā lietošana

Šis darbarīks ir paredzēts triecienurbšanai un urbšanai ķieģeļos, betonā un akmeņi, kā arī kalšanai.

Tas ir piemērots arī parastai urbšanai (bez trieciena) kokā, metālā, keramikā un plastmasā.

Barošana

Darbarīks jāpievieno tikai tādām barošanas avotam, kura spriegums atbilst uz darbarīka tehnisko datu plāksnītes norādītajam, un darbarīku var izmantot tikai ar vienfāzes maiņstrāvas barošanu. Darbarīks aprīkots ar divkārtšo izolāciju, tādēļ to var izmantot arī, pievienojot kontaktligzdai bez iezemējuma vada.

Trokšņa līmenis

Tipiskais A svērtais trokšņa līmenis noteikts saskaņā ar EN60745:

Skaņas spiediena līmeni (L_{pA}): 90 dB (A)

Skaņas jaudas līmeni (L_{WA}): 101 dB (A)

Mainīgums (K): 3 dB (A)

BRĪDINĀJUMS: Lietojiet ausu aizsargus.

Vibrācija

Vibrācijas kopējā vērtība (trīsasu vektora summa) noteikta atbilstoši EN60745:

Darba režīms: triecienurbšana betonā

Vibrācija ($a_{h,HD}$): 16,5 m/s²

Mainīgums (K): 1,5 m/s²

Darba režīms: kalšanas režīms, izmantojot sānu rokturi

Vibrācija ($a_{h,CHeg}$): 9,0 m/s²

Mainīgums (K): 1,5 m/s²

Darba režīms: urbšana metālā

Vibrācijas izmēte ($a_{h,D}$): 2,5 m/s² vai mazāk

Mainīgums (K): 1,5 m/s²

PIEZĪME: Paziņotā vibrācijas emisijas vērtība noteikta atbilstoši standarta pārbaudes metodei un to var izmantot, lai salīdzinātu vienu darbarīku ar citu.

PIEZĪME: Paziņoto vibrācijas emisijas vērtību arī var izmantot iedarbības sākotnējā novērtējumā.

BRĪDINĀJUMS: Reāli lietojot elektrisko darbarīku, vibrācijas emisija var atšķirties no paziņotās emisijas vērtības atkarībā no darbarīka izmantošanas veida.

BRĪDINĀJUMS: Lai aizsargātu lietotāju, nosakiet drošības pasākumus, kas pamatoti ar iedarbību reālos darba apstākļos (ņemot vērā visus ekspluatācijas cikla posmus, piemēram, laiku, kamēr darbarīks ir izslēgts un kad darbojas tukšgaitā, kā arī palaides laiku).

EK atbilstības deklarācija

Tikai Eiropas valstīm

EK atbilstības deklarācija šajā lietošanas rokasgrāmatā ir iekļauta kā A pielikums.

DROŠĪBAS BRĪDINĀJUMI

Vispārīgi elektrisko darbarīku drošības brīdinājumi

BRĪDINĀJUMS: Izlasiet visus drošības brīdinājumus un visus norādījumus. Brīdinājumu un norādījumu neievērošanas gadījumā var rasties elektriskās strāvas trieciens, ugunsgrēks un/vai nopietnas traumas.

Glabājiet visus brīdinājumus un norādījumus, lai varētu tajos ieskatīties turpmāk.

Termins „elektrisks darbarīks” brīdinājumos attiecas uz tādu elektrisko darbarīku, ko darbina ar elektrību (ar vadu), vai tādu, ko darbina ar akumulatoru (bez vada).

DROŠĪBAS BRĪDINĀJUMI PERFORATORA LIETOŠANAI

1. Izmantojiet ausu aizsargus. Troksnis var izraisīt dzirdes zudumu.
2. Izmantojiet ar darbarīku piegādātos papildu rokturus. Zaudējot kontroli, var tikt gūtas traumas.
3. Veicot darbu, turiet mehānizēto darbarīku aiz izolētajām satveršanas virsmām, ja griešanas instruments varētu saskarties ar apslēptu elektroinstalāciju vai ar savu vadu. Griezējinstrumentam saskaroties ar kabeli zem sprieguma, spriegums var tikt pārnest uz elektriskā mehānizētā darbarīka metāla daļām un radīt operatoram elektrotraumu.
4. Izmantojiet aizsargķiveri, aizsargbrilles un/vai sejas aizsargu. Parastās brilles vai saulesbrilles NAV aizsargbrilles. Noteikti ieteicams izmantot arī putekļu masku un biezus, polsterētus cimdus.
5. Pirms sākt darbu pārbaudiet, vai uzgalis ir nostiprināts.
6. Parastas darbības laikā darbarīks rada vibrāciju. Skrūves var viegli atskrūvēties, izraisot bojājumus vai negadījumus. Pirms sākt darbu rūpīgi pārbaudiet skrūvju pievilkumu.
7. Aukstā laikā vai tad, ja darbarīku neesat izmantojis ilgu laiku, ļaujiet darbarīkam nedaudz iesilt, darbinot to bez slodzes. Tas sasildīs ziežvielas darbarīkā. Bez pienācīgas iesildīšanas būs grūti veikt kalšanu.
8. Vienmēr nodrošiniet stabilu pamatu kājām. Ja lietojat darbarīku, strādājot lielā augstumā virs zemes, pārliecinieties, ka apakšā neviena nav.
9. Turiet darbarīku cieši ar abām rokām.
10. Netuviniet rokas kustīgajām daļām.
11. Neatstājiet darbarīku ieslēgtu. Darbiniet darbarīku vienīgi tad, ja turat to rokās.
12. Iedarbinātu darbarīku nevērsiet pret tuvumā esošiem cilvēkiem. Uzgalis var tikt izsviests un radīt smagu traumu.
13. Nepieskarieties uzgalim vai uzgaļa tuvumā esošām daļām tūlīt pēc darbarīka lietošanas, jo daļas var būt ļoti karstas un apdedzināt ādu.
14. Daži materiāli satur ķīmiskas vielas, kuras var būt toksiskas. Izvairoties no putekļu ieelpošanas un to nokļūšanas uz ādas. Ievērojiet materiāla piegādātāja drošības datus.

SAGLABĀJIET ŠOS NORĀDĪJUMUS.

▲BRĪDINĀJUMS: NEPIELĀUJIET to, ka labu iemaņu vai izstrādājuma labas pārzināšanas (darbarīku atkārtoti ekspluatējot) rezultātā vairs stingri neievērojat šī izstrādājuma drošības noteikumus. NEPAREIZI LIETOJOT darbarīku vai neievērojot šajā instrukcijā rokasgrāmatā minētos drošības noteikumus, var tikt gūtas smagas traumas.

FUNKCIJU APRAKSTS

▲UZMANĪBU: Pirms regulējat vai pārbaudāt darbarīka darbību, vienmēr pārliecinieties, ka darbarīks ir izslēgts un atvienots no barošanas.

Slēdža darbība

▲UZMANĪBU: Pirms darbarīka pieslēgšanas vienmēr pārbaudiet, vai slēdža mēlīte darbojas pareizi un atlaista atgriežas stāvoklī „OFF” (Izslēgts).

▲UZMANĪBU: Slēdzi var fiksēt stāvoklī „ON” (ieslēgts), lai atvieglotu operatora darbu, strādājot ilgstoši. Esiet uzmanīgs, fiksējot darbarīka slēdzi stāvoklī „ON” (ieslēgts); stingri turiet darbarīku.

► **Att. 1:** 1. Slēdža mēlīte 2. Atbloķēšanas poga

Lai ieslēgtu darbarīku, pavelciet slēdža mēlīti. Darbarīka ātrums palielinās, palielinoties spiedienam uz slēdža mēlīti. Lai darbarīku apturētu, atlaižiet slēdža mēlīti.

Lai darbarīks darbotos nepārtraukti, pavelciet slēdža mēlīti un nospiediet bloķēšanas pogu, pēc tam atlaižiet slēdža mēlīti. Lai apturētu darbarīku, kad slēdzis ir bloķēts, nospiediet slēdža mēlīti līdz galam, tad atlaižiet to.

Griešanās virziena pārslēdzēja darbība

▲UZMANĪBU: Pirms sākat strādāt, vienmēr pārbaudiet griešanās virzienu.

IEVĒRĪBAI: Izmantojiet griešanās virziena pārslēdzēju tikai pēc darbarīka pilnīgas apstāšanās. Griešanās virziena maiņa pirms darbarīka pilnīgas apstāšanās var to sabojāt.

IEVĒRĪBAI: Ja slēdža mēlīti nevar nospiegt, pārbaudiet, vai griešanās virziena pārslēdzējs ir pilnībā iestatīts stāvoklī ◀ (A puse) vai stāvoklī ▶ (B puse).

► **Att. 2:** 1. Griešanās virziena pārslēdzēja svira


Šis darbarīks ir aprīkots ar pārslēdzēju, kas ļauj mainīt griešanās virzienu. Pārbīdīd griešanās virziena pārslēdzēja sviru stāvoklī ◀ (A puse) rotācijai pulksteņrādītāju kustības virzienā vai stāvoklī ▶ (B puse) rotācijai pretēji pulksteņrādītāju kustības virzienam.

Darba režīma izvēle

IEVĒRĪBAI: Negrieziet darba režīma pārslēdzēju, kad darbarīks darbojas. Darbarīks tiks sabojāts.

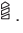
IEVĒRĪBAI: Lai režīma maiņas mehānisms ātri nenolietotos, pārliecinieties, ka darba režīma pārslēdzējs vienmēr precīzi atrodas kādā no trim darba režīma stāvokļiem.

Triecienurbšana

Urbšanai betonā, mūrī u. c. pagrieziet darba režīma pārslēdzēju pret simbolu . Izmantojiet volframa-karbidā uzgali (papildpiederums).


► **Att.3:** 1. Darba režīma pārslēdzējs

Parasta urbšana

Urbšanai kokā, metālā vai plastmasā pagrieziet darba režīma pārslēdzēju pret simbolu . Izmantojiet spirālurbja uzgali vai kokurbja uzgali.

► **Att.4:** 1. Darba režīma pārslēdzējs

Tikai kalšana

Atšķelšanai, materiālu noņemšanai vai nojaukšanai pagrieziet darba režīma pārslēdzēju pret simbolu . Izmantojiet punktstīti, metāla kaltni, materiālu noņemšanas kaltni u. c.

► **Att.5:** 1. Darba režīma pārslēdzējs

Griezies momenta ierobežotājs

IEVĒRĪBAI: Tiklīdz ieslēdzas griezes momenta ierobežotājs, nekavējoties izslēdziet darbarīku. Tādējādi novērsīsiet priekšlaicīgu darbarīka nolietošanu.

IEVĒRĪBAI: Šim darbarīkam nav piemēroti tādi urbšanas uzgali kā gredzenzāģi, kas bieži mēdz iespiesties vai ieķerties atverēs. Tam par iemeslu ir apstākļi, ka pārāk bieži ieslēgsies griezes momenta ierobežotājs.

Griezies momenta ierobežotājs ieslēgsies, sasniedzot noteiktu griezes momenta līmeni. Motors atvienosies no dzenamās vārpstas. Kad tas notiek, urbja uzgali pārstāj griezties.

MONTĀŽA

UZMANĪBU: Vienmēr pārliecinieties, ka darbarīks ir izslēgts un atvienots no barošanas, pirms veicat jebkādas darbības ar darbarīku.

Sānu rokturis (palīgrokturis)

UZMANĪBU: Lai darbu veiktu droši, vienmēr izmantojiet sānu rokturi.

UZMANĪBU: Pēc sānu roktura uzstādīšanas vai regulēšanas pārliecinieties, ka tas ir stingri nostiprināts.

Uzstādi sānu rokturi tā, lai roktura izciļņi ievietotos starp rievām uz darbarīka korpusa. Pēc tam pieskrūvējiet spārnskrūvi, lai fiksētu rokturi vajadzīgajā stāvoklī. Sānu rokturi var pagriezt par 360°, tātdo to ir iespējams nostiprināt jebkurā stāvoklī.

► **Att.6:** 1. Sānu rokturis 2. Spārnskrūve 3. Pievilkt 4. Atlaist

Eļļošana

Vispirms urbja uzgaļa kāta/kalta galu pārklājiet ar nelielu daudzumu ziedes (apmēram 0,5–1 g). Šādi ieeļļojot spīlpatronu, darbība būs vienmērīga un paildzināsies darbmūžs.

Urbja uzgaļa/kalta uzstādīšana un noņemšana

Notīriet urbja uzgaļa kāta/kalta galu un pirms urbja uzgaļa/kalta uzstādīšanas uzklājiet ziedi.

► **Att.7:** 1. Urbja uzgaļa kāta/kalta gals 2. Eļļošana

Ievietojiet urbja uzgali/kaltu darbarīkā. Pagrieziet urbja uzgali/kaltu un iespiediet to, līdz tas fiksējas.


Pēc uzstādīšanas vienmēr pārliecinieties, ka tas stingri turas, mēģinot uzgali/kaltu izvilkt.

► **Att.8:** 1. Urbja uzgalis/kalts


Lai noņemtu urbja uzgali/kaltu, pavelciet spīlpatronas aizsargu pilnībā uz leju un izvelciet urbja uzgali/kaltu.

► **Att.9:** 1. Urbja uzgalis/kalts 2. Spīlpatronas aizsargs

Kalta leņķis (atšķelšanai, materiālu noņemšanai vai nojaukšanai)

Kaltu ir iespējams nostiprināt vēlamajā leņķī. Lai mainītu kalta leņķi, pagrieziet darba režīma pārslēdzēju pret simbolu . Pagrieziet kaltu vēlamajā leņķī.

► **Att.10:** 1. Darba režīma pārslēdzējs

Pagrieziet darba režīma pārslēdzēju pret simbolu . Tad, nedaudz pagriežot kaltu, pārliecinieties, ka tas turas stingri.

Dzīļummērs

Dzīļummērs ir noderīgs identiska dzīļuma caurumu urbšanai. Atlaidiet spārnskrūvi un noregulējiet dzīļummēru vēlamajā dzīļumā. Pēc regulēšanas stingri pieskrūvējiet spārnskrūvi.

► **Att.11:** 1. Spārnskrūve 2. Dzīļummērs

PIEZĪME: Dzīļummēru nevar izmantot tādā stāvoklī, kad tas pieskaras zobratu korpusam vai motora korpusam.

EKSPLUATĀCIJA


UZMANĪBU: Darba laikā vienmēr izmantojiet sānu rokturi (palīgrokturi) un stingri turiet darbarīku aiz abiem sānu rokturiem un slēdža roktura.

UZMANĪBU: Pirms darba sākšanas vienmēr pārliecinieties, ka apstrādājama materiāls ir nostiprināts.

► **Att.12**

Triecienurbšana


⚠ UZMANĪBU: Cauruma izlaušanas brīdī, arī caurumam nosprostojoties ar skaidām vai materiāla daļiņām vai trāpot betonā esošajiem armatūras stieņiem, uz darbarīku un urbja uzgali iedarbojas ārkārtīgi liels un pēkšņs vērpes spēks. **Darba laikā vienmēr izmantojiet sānu rokturi (palīgrokturi) un stingri turiet darbarīku aiz abiem sānu rokturiem un slēdža roktura.** Ja šādi nerīkosities, varat zaudēt darbarīka vadību un gūt smagas traumas.

Pagrieziet darba režīma pārslēdzēju pret simbolu . Novietojiet urbja uzgali vietā, kur nepieciešams caurums, tad nospiediet slēdža mēlīti. Nelietojiet darbarīku ar spēku. Labāko rezultātu iespējams panākt ar vieglu spiedienu. Saglabājiet darbarīku šādā stāvoklī un nepieļaujiet tā novirzīšanos no cauruma.

Ja caurums nosprostojas ar skaidām vai materiāla daļiņām, nespiediet darbarīku spēcīgāk. Tā vietā darbiniet darbarīku tukšgaitā, tad daļēji izvelciet urbja uzgali no cauruma. Veicot šo darbību atkārtoti, caurums tiks iztīrīts, un varēsīt atsākt parasto urbšanu.

PIEZĪME: Darbinot darbarīku bez slodzes, urbja uzgaļa griešanās var nebūt centrēta. Darba laikā darbarīks iecentrējas automātiski. Tas neietekmē urbšanas precizitāti.

Atšķelšana/materiālu noņemšana/nojaukšana

Pagrieziet darba režīma pārslēdzēju pret simbolu . Stingri turiet darbarīku ar abām rokām. Ieslēdziet darbarīku un nedaudz uzspiediet uz tā, lai darbarīks nevadāmi nelēkātu. Stingri spiežot darbarīku, tā efektivitāte nepalielināsies.

▶ Att.13

Urbšana kokā vai metālā


⚠ UZMANĪBU: Stingri turiet darbarīku un īpaši uzmanieties brīdī, kad urbja uzgalis sāk virzīties cauri apstrādājamaļai daļai. Cauruma izveides brīdī uz darbarīku un uzgali iedarbojas ļoti liels spēks.

⚠ UZMANĪBU: Iestrēgušu urbja uzgali var atbrīvot, vienkārši uzstādot griešanās virziena pārslēdzēju pretējā virzienā, lai urbis tiktu virzīts atpakaļ virzienā uz āru. Taču uzmanieties, jo, ja ierīci neturēsiet stingri, tā var strauji virzīties atpakaļ.

⚠ UZMANĪBU: Nelielas apstrādājamas detaļas vienmēr ievietojiet skrūvspīlēs vai citā stiprinājuma ierīcē.

IEVĒRĪBAI: Nekad neizmantojiet „triecienurbšanas” režīmu, ja darbarīkam ir uzstādīta urbja spīlpatrona. Urbja spīlpatrona var tikt bojāta. Mainot darbarīka griešanās virzienu, urbja spīlpatrona nokrītīs.

IEVĒRĪBAI: Pārmērīgs spiediens uz darbarīku urbšanas ātrumu nepalielinās. Patiesībā pārmērīgs spiediens tikai sabojās urbja uzgali, samazinās darbarīka jaudu un saīsinās tā kalpošanas laiku.

Pagrieziet darba režīma pārslēdzēju pret simbolu . Ir iespējams urbt caurumus metālā ar diametru līdz 13 mm (1/2”) un kokā ar diametru līdz 32 mm (1-1/4”).

Izmantojiet urbja spīlpatronas mezglu (papildpiederums). Tā uzstādīšanas laikā skatiet sadaļu „Urbja uzgaļa/kalta uzstādīšana vai noņemšana”.

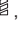
▶ Att.14: 1. Urbja spīlpatronas mezgls (papildpiederums)

Lai uzstādītu urbja uzgali, ievietojiet to spīlpatronā līdz galam. Pievelciet spīlpatronu ar roku. Ievietojiet spīlpatronas atslēgu katrā no trim atverēm un pievelciet pulksteņrādītāju kustības virzienā. Noteikti pievelciet visas trīs spīlpatronas atveres vienmērīgi. Lai noņemtu urbja uzgali, pagrieziet spīlpatronas atslēgu pretēji pulksteņrādītāju kustības virzienam tikai vienā atverē, tad atlaidiet spīlpatronu ar roku.

▶ Att.15: 1. Spīlpatronas atslēga

Urbšana ar dimanta cilindrisko urbi

IEVĒRĪBAI: Ja urbsiet ar dimanta cilindrisko urbi, izmantojot „triecienurbšanas” režīmu, dimanta cilindriskais urbis var tikt bojāts.

Urbjot ar dimanta cilindrisko urbi, vienmēr uzstādiet darba režīma pārslēdzēju stāvoklī , lai izmantotu „parastas urbšanas” darbību.

APKOPE

⚠ UZMANĪBU: Pirms veikt pārbaudi vai apkopi, vienmēr pārliecinieties, ka darbarīks ir izslēgts un atvienots no barošanas.

IEVĒRĪBAI: Nekad neizmantojiet gazoļinu, benzīnu, atšķaidītāju, spirtu vai līdzīgu šķidrumus. Tas var radīt izbalēšanu, deformāciju vai plaisas.

Lai uzturētu izstrādājumu DROŠU un UZTICAMU, remontdarbus, ogles suku pārbaudi un nomaigu, kā arī darbarīka apkopi un regulēšanu uzticiet tikai Makita pilnvarotam vai rūpnīcas apkopes centram, vienmēr izmantojot tikai Makita rezerves daļas.

SPECIFIKACIJOS

Modelis:		M8701
Gręžimo galia	Betonas	26 mm
	Šerdinis gražtas	68 mm
	(Sausojo tipo) deimantinis šerdinis gražtas	80 mm
	Plienas	13 mm
	Medis	32 mm
Be apkrovos		0–1 200 min ⁻¹
Smūgių per minutę		0–4 500 min ⁻¹
Bendrasis ilgis		362 mm
Grynasis svoris		2,7 kg
Saugos klasė		□/II

- Atlikame tęsinius tyrimus ir nuolatos tobuliname savo gaminius, todėl čia pateikiamos specifikacijos gali būti keičiamos be įspėjimo.
- Skirtingose šalyse specifikacijos gali skirtis.
- Svoris pagal 2003/01 EPTA procedūrą

Numatytoji naudojimo paskirtis

Šis įrankis skirtas smūginiam plytų, betono ir akmens gręžimui bei kirtimui. Taip pat jis tinka nesmūginiam medienos, metalo, keramikos ir plastmasės gręžimui.

Elektros energijos tiekimas

Įrenginiui turi būti tiekama tokios įtampos elektros energija, kaip nurodyta duomenų lentelėje; įrenginys veikia tik su vienfaze kintamąja srove. Jie yra dvigubai izoliuoti, todėl gali būti naudojami prijungus prie elektros lizdo be žemėjimo laido.

Triukšmas

Įprastas triukšmo A lygis, nustatytas pagal EN60745:
Garso slėgio lygis (L_{pA}): 90 dB (A)
Garso galios lygis (L_{WA}): 101 dB (A)
Paklaida (K): 3 dB (A)

ĮSPĖJIMAS: Dėvėkite ausų apsaugą.

Vibracija

Vibracijos bendroji vertė (triasio vektorius suma) nustatyta pagal EN60745 standartą:
Darbo režimas: smūginis betono gręžimas
Vibracijų intensyvumas ($a_{h,HD}$): 16,5 m/s²
Paklaida (K): 1,5 m/s²
Darbo režimas: kalimo funkcija, naudojant šoninį spaustuvą
Vibracijų intensyvumas ($a_{h,Chaq}$): 9,0 m/s²
Paklaida (K): 1,5 m/s²
Darbo režimas: metalo gręžimas
Vibracijos emisija ($a_{h,p}$): 2,5 m/s² arba mažiau
Paklaida (K): 1,5 m/s²

PASTABA: Paskelbtasis vibracijos emisijos dydis nustatytas pagal standartinį testavimo metodą ir jį galima naudoti vienam įrankiui palyginti su kitu.

PASTABA: Paskelbtasis vibracijos emisijos dydis taip pat gali būti naudojamas preliminariai įvertinti vibracijos poveikį.

ĮSPĖJIMAS: Faktiškai naudojant elektrinį įrankį, keliamos vibracijos dydis gali skirtis nuo paskelbtojo dydžio, priklausomai nuo būdų, kuriais yra naudojamas šis įrankis.

ĮSPĖJIMAS: Siekdami apsaugoti operatorių, būtina įvertinkite saugos priemones, remdamiesi vibracijos poveikio įvertinimu esant faktinėms naudojimo sąlygoms (atsižvelgdami į visas darbo ciklo dalis, pavyzdžiui, ne tik kiek laiko įrankis veikia, bet ir kiek kartų jis yra išjungiamas bei kai jis veikia be apkrovų).

EB atitikties deklaracija

Tik Europos šalims

EB atitikties deklaracija yra pridedama kaip šio instrukcijų vadovo A priedas.

SAUGOS ĮSPĖJIMAI

Bendrieji įspėjimai dirbant elektriniais įrankiais

ĮSPĖJIMAS: Perskaitykite visus saugos įspėjimus ir visą instrukciją. Nesilaikydami toliau pateiktų įspėjimų ir instrukcijų galite patirti elektros smūgi, gaisrą ir (arba) sunkų sužeidimą.

Išsaugokite visus įspėjimus ir instrukcijas, kad galėtumėte jas peržiūrėti ateityje.

Terminas „elektrinis įrankis“ pateiktuose įspėjimuose reiškia į maitinimo tinklą jungiamą (laidinį) elektrinį įrankį arba akumulatoriaus maitinamą (belaidį) elektrinį įrankį.

ĮSPĖJIMAI DĖL SMŪGINIO PERFORATORIAUS SAUGOS

1. Naudokite klausos apsaugines priemones. Nuo triukšmo galima prarasti klausą.
2. Naudokite su įrankiu pridėtą išorinę rankeną (rankenas). Nesuvaldžius įrankio, galima susižeisti.
3. Atlikdami darbus, kurių metu pjovimo antgalis galėtų užkliudyti nematomą laidą arba savo paties laidą, laikykite elektrinius įrankius už izoliuotų paviršių. Pjovimo antgaliai prisilietus prie laido, kuriuo teka elektros srovė, neiizoliuotos metalinės elektrinio įrankio dalys gali sukelti elektros smūgį ir nutrenkti operatorių.
4. Užsidėkite kietą galvos apdangalą (apsauginį šalną), apsauginius akinius ir (arba) veido skydelį. Įprastiniai akiniai ar akiniai nuo saulės NĖRA apsauginiai akiniai. Taip pat primygtinai rekomenduojama užsidėti kaukę, saugančią nuo dulkių, ir pirštines su storu pamušalu.
5. Prieš pradėdami dirbti įsitikinkite, kad grąžtas tinkamai įtvirtintas.
6. Įprastai naudojant įrankį, jis vibruoja. Varžtai gali lengvai atsisukti, o tai gali tapti gedimo arba nelaimingo atsitikimo priežastimi. Prieš pradėdami dirbti atidžiai patikrinkite, ar varžtai gerai priveržti.
7. Šaltu oru, arba jei įrankiu nesinaudojote ilgą laiką, leiskite įrankiui šiek tiek išilti naudodami jį be apkrovos. Tada tepalas suminkštės. Tinkamai neįšildžius įrankio, bus sunku kalti.
8. Būtinai įsitikinkite, kad tvirtai stovite. Jei naudojate įrankį aukštai, įsitikinkite, ar apačioje nėra žmonių.
9. Laikykite įrankį tvirtai už abiejų rankenų.
10. Žiūrėkite, kad rankos būtų kuo toliau nuo judamųjų dalių.
11. Nepalikite veikiančio įrankio. Naudokite įrankį tik laikydami rankomis.
12. Dirbdami nenukreipkite veikiančio įrankio į žmones. Kalamasis grąžtas gali išlėkti ir ką nors sunkiai sužeisti.
13. Nelieskite grąžto arba šalia esančių dalių iškart po naudojimo; jie gali būti itin karšti ir nudeginti odą.
14. Kai kuriose medžiagose esama cheminių medžiagų, kurios gali būti nuodingos. Saugokitės, kad neįkvėptumėte dulkių ir nesiliestumėte oda. Laikykites medžiagų tiekėjo saugos duomenų.

SAUGOKITE ŠIAS INSTRUKCIJAS.

▲ ĮSPĖJIMAS: NELEISKITE, kad patogumas ir gaminio pažinimas (įgyjamas pakartotinai naudojant) susilpnintų griežtą saugos taisyklių, taikytinų šiam gaminiui, laikymąsi. Dėl NETINKAMO NAUDOJIMO arba saugos taisyklių, kurios pateiktos šioje instrukcijoje, nesilaikymo galima rimtai susižeisti.

VEIKIMO APRAŠYMAS

▲ PERSPĖJIMAS: Prieš pradėdami reguliuoti arba tikrinti įrankio veikimą, visuomet būtinai išjunkite įrankį ir atjunkite jį nuo maitinimo tinklo.

Jungtlio veikimas

▲ PERSPĖJIMAS: Prieš jungdami įrenginį visada patikrinkite, ar svirtinis gaidukas gerai įsijungia, o atleistas grįžta į padėtį OFF (išjungta).

▲ PERSPĖJIMAS: Kai įrankis naudojamas ilgą laiką tarpą, operatoriaus patogumui jungtiklį galima užfiksuoti į „ON“ (įjungta) padėtį. Būkite atsargūs, užfiksuodami įrankį į „ON“ (įjungta) padėtį ir tvirtai laikykite įrankio rankeną.

► Pav.1: 1. Gaidukas 2. Atlaisvinimo mygtukas

Jei norite paleisti įrankį, tiesiog patraukite jungtlio gaiduką. Stipriau spaudžiant jungtlio gaiduką, įrankio veikimo greitis didėja. Norėdami išjungti, atleiskite svirtinį gaiduką.

Kad įrenginys neišsijungtų, patraukite jungtlio gaiduką ir paspauskite fiksavimo mygtuką, paskui jungtlio gaiduką atleiskite. Norėdami sustabdyti įrankį, kai gaidukas užfiksuotas, paspauskite gaiduką iki galo ir tada jį atleiskite.

Atbulinės eigos jungimas

▲ PERSPĖJIMAS: Prieš naudodami visuomet patikrinkite sukimosi kryptį.

PASTABA: Atbulinės eigos jungtiklį naudokite tik įrankiu visiškai sustojus. Jei keisite sukimosi kryptį prieš įrankiui sustojant, galite sugadinti įrankį.

PASTABA: Jeigu gaiduko nuspausti negalite, patikrinkite, ar atbulinės eigos svirtelė iki galo nustatyta padėtyje ◁ (A pusė) arba ▷ (B pusė).

► Pav.2: 1. Atbulinės eigos svirtelė


Šis įrankis turi atbulinės eigos svirtelę sukimosi kryptčiai keisti. Pastumkite atbulinės eigos svirtelę į padėtį ◁ (A pusė), kad sukūptųsi pagal laikrodžio rodyklę (pirmyn), arba padėtį ▷ (B pusė), kad sukūptųsi prieš laikrodžio rodyklę (atbulinė eiga).

Veikimo režimo pasirinkimas

PASTABA: Nesukite veikimo režimo keitimo rankenėlės, kai įrankis įjungtas. Galite sugadinti įrankį.


PASTABA: Norėdami išvengti greito režimo keitimo mechanizmo nusidėvėjimo, pakeitę režimą visada patikrinkite, ar tiksliai nustatėte veikimo režimo keitimo rankenėlę vienoje iš trijų veikimo režimo padėčių.

Kalamasis gręžimas

Norėdami gręžti betoną, mūrą ir pan., pasukite veikimo režimo keitimo rankenėlę ties  simboliu. Naudokite volframo karbido grąžtą (pasirenkamas priedas).


► **Pav.3:** 1. Veikimo režimo keitimo svirtelė

Tik gręžimas

Norėdami gręžti medį, metalą arba plastmasę, pasukite veikimo režimo keitimo rankenėlę ties simboliu . Naudokite spiralinį arba medžio grąžtą.

► **Pav.4:** 1. Veikimo režimo keitimo svirtelė

Tik kalimas

Norėdami atlikti nudaužymo, grandymo arba griovimo darbus, pasukite veikimo režimo keitimo rankenėlę ties  simboliu. Naudokite smailiųjį kaltelį, plieninį kirstuką, grandomąjį kaltelį ir pan.

► **Pav.5:** 1. Veikimo režimo keitimo svirtelė

Sukimo momento ribotuvus

PASTABA: Suveikus sukimo momento ribotuvui, nedelsdami išjunkite įrankį. Šitaip apsaugosite įrankį ir jis nesusidėvės anksčiau laiko.

PASTABA: Tokie antgaliai, kaip pjūklai skylėms prapjauti, kurie gali būti lengvai sužnybti arba įstrigti skylėje, netinka naudoti su šiuo įrankiu. Jie netinka dėl to, kad jiems įstrigus, per dažnai įsijungs sukimo momento ribotuvus.

Sukimo momento ribotuvus suveiks pasiekus tam tikrą sukimo momento lygį. Variklis bus atjungtas nuo išvesties veleno. Taip atsitikus, grąžtas liausis sukėsis.

SURINKIMAS

▲PERSPĖJIMAS: Prieš ką nors darydami su įrankiu, visada patikrinkite, ar jis išjungtas, o laido kištukas ištrauktas iš elektros lizdo.

Šoninė rankena (papildoma rankena)

▲PERSPĖJIMAS: Visada naudokitės šonine rankena, kad užtikrintumėte darbo saugą.

▲PERSPĖJIMAS: Sumontavę arba reguliuodami šoninę rankeną patikrinkite, ar ji yra tvirtai pritvirtinta.

Sumontuokite šoninę rankeną taip, kad iškyšos ant rankenos įlijstų tarp griovelių ant įrankio korpuso. Tada užveržkite veržlę pagal laikrodžio rodyklę pritvirtinkite rankeną į norimą padėtį.

Šoninę rankeną galima pasukti 360°, kad ji būtų užfiksuota bet kiojoje padėtyje.

► **Pav.6:** 1. Šoninis spaustuvas 2. Sparnuotoji veržlė 3. Priveržti 4. Atlaisvinti

Tepalas

Sutepkite įkištą grąžto galvutę / kaltą nedideliu kiekiu tepalo (maždaug 0,5–1 g).

Taip sutepus galvutę, prietaisas veiks ilgiau ir geriau.

Grąžtų galvučių / kaltų įdėjimas ir išėmimas

Nuvalykite įkištą grąžto galvutę / kaltą ir sutepkite prieš įdėdami grąžto galvutę / kaltą.

► **Pav.7:** 1. Įkišta grąžto galvutė / kaltas 2. Tepalas

Įkiškite grąžto galvutę / kaltą į įrankį. Pasukite grąžto galvutę / kaltą ir stumkite, kol įsistatys. Sumontavę grąžto galą / kaltą, visada patikrinkite, ar grąžto galvutė / kaltas saugiai laikosi, pabandydami jį ištraukti.

► **Pav.8:** 1. Grąžto galvutė / kaltas


Norėdami ištraukti grąžto galvutę / kaltą, atitraukite kumštelinio griebtuvo gaubtą iki galo žemyn ir ištraukite grąžto galvutę / kaltą.

► **Pav.9:** 1. Grąžto galvutė / kaltas 2. Kumštelinio griebtuvo gaubtas

Kalto kampas (nudaužymo, grandymo arba griovimo darbams)

Kaltą galima užtvirtinti, pakreipus jį norimu kampu. Norėdami pakeisti kalto įtaisymo kampą, pasukite veikimo režimo keitimo rankenėlę ties O simboliu. Pasukite kaltą norimu kampu.

► **Pav.10:** 1. Veikimo režimo keitimo svirtelė

Pasukite veikimo režimo keitimo rankenėlę ties  simboliu. Tuomet truputį pasukdami kaltą, patikrinkite, ar jis įdėtas tvirtai.

Gylio ribotuvus

Gylio ribotuvą patogiu naudoti gręžiant vienodo gylio skylės. Atlaisvinkite sparnuotąją veržlę ir nustatykite gylio matuoklį norimam gyliui. Pareguliuavę, tvirtai užveržkite sparnuotąją veržlę.

► **Pav.11:** 1. Sparnuotoji veržlė 2. Gylio ribotuvus

PASTABA: Gylio ribotuvo negalima naudoti padėtyje, kurioje jis liečia pavaros/variklio korpusą.

NAUDOJIMAS


▲ PERSPĖJIMAS: Darbo metu visada tvirtai laikykite įrankį už šoninės (papildoma rankena) ir pagrindinės rankenų.

▲ PERSPĖJIMAS: Prieš darbą visada įtvirtinkite ruošinį.

► Pav.12

Smūginis gręžimas

▲ PERSPĖJIMAS: Įrankį / grąžto galvutę veikia didelė ir staigi sukamoji jėga, kai gręžiama skylė ir ji prisipildo nuolaužų ir dalelių arba kai įrankis / grąžto galvutė atsirenkia į betone esančią armatūrą. **Darbo metu visada tvirtai laikykite įrankį už šoninės (papildoma rankena) ir pagrindinės rankenų.** Kitaip galite prarasti įrankio valdymą ir susižeisti.


Nustatykite veikimo režimo keitimo rankenėlę ties  simboliu.

Nustatykite grąžtą į norimą vietą ties skylė ir paspauskite gaiduką. Nespauskite įrankio jėga. Geriausių rezultatų pasiekiami spaudžiant nestipriai. Laikykite įrankį šioje padėtyje ir saugokite, kad nenuslystų nuo skylės.

Nespauskite stipriai, kai skylė prisipildo nuolaužų ir dalelių. Vietoj to leiskite įrankiui šiek tiek paveikti tuščiaja eiga, tada iš dalies ištraukite grąžto galvutę iš skylės. Pakartojus tai keletą kartų, skylė bus išvalyta ir bus galima toliau gręžti.

PASTABA: Kai įrankis veikia be apkrovos, besisukantis grąžtas gali išscentruoti. Darbo metu įrankis automatiškai pats susicentruoja. Tai neįtakoja gręžimo tikslumo.

Skėlimas/ nuodegų šalinimas / ardymas

Nustatykite veikimo režimo keitimo rankenėlę ties  simboliu.

Įrankį tvirtai laikykite abiem rankomis. Įrankį sukite ir nestipriai spauskite, kad jis nevaldomai nešokinėtų. Spaudžiant stipriai, darbo efektyvumas nepagerės.

► Pav.13

Gręžimas į medį arba metalą

▲ PERSPĖJIMAS: Laikykite įrankį tvirtai ir atsargiai žiūrėkite, kada grąžto galvutė pradės gręžti ruošinį. Įrankį / grąžto galvutę veikia didelė sukamoji jėga, kai gręžiama skylė.

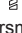
▲ PERSPĖJIMAS: Įstrigusią grąžto galvutę galima ištraukti tiesiog atbulinės eigos jungikli nustatant į atbulinės eigos padėtį. Tačiau įrankis gali grubiai judėti atgal, jei tvirtai nelaikysite įrankio.

▲ PERSPĖJIMAS: Visada pritvirtinkite apdirbamus gaminius spaustuvoose arba panašiose prilaikymo prietaise.

PASTABA: Jeigu ant įrenginio sumontuotas grąžto kumštelinis griebtuvas, nenaudokite „gręžimo ir kalimo“ režimo. Galite sugadinti grąžto kumštelinį griebtuvą.

Be to, apverčiant įrankį, grąžto griebtuvas nukris.

PASTABA: Per didelis įrankio spaudimas nepageidautinas gręžimo. Iš tikrųjų dėl tokio spaudimo gali būti pažeista grąžto galvutė, pablogėti įrankio darbas ir sutrumpėti jo eksploataavimo trukmė.

Nustatykite veikimo režimo keitimo rankenėlę ties  simboliu. Galėsime gręžti iki 13 mm (1/2 colio) skersmens skylės metale ir iki 32 mm (1-1/4 colio) skersmens skylės medyje.

Naudokites grąžto griebtuvo komplektu (pasirenkamu priedu). Jį montuodami, žr. skyrių „Grąžtų galvučių / kaltų įdėjimas ir išėmimas“.

► Pav.14: 1. Grąžto griebtuvo mazgas (pasirenkamas priedas)

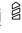
Jei norite įdėti grąžto galvutę, dėkite ją į kumštelinį griebtuvą tiek giliai, kiek lenda. Ranka priveržkite kumštelinį griebtuvą. Įkiškite kumštelinio griebtuvo raktą į kiekvieną iš trijų skylių ir priveržkite pagal laikrodžio rodyklę. Vienodai užveržkite visas kumštelinio griebtuvo skyles.

Jei norite išimti grąžto galvutę, pasukite kumštelinio griebtuvo raktą prieš laikrodžio rodyklę tik vienoje skylyje, tada ranka atlaisvinkite kumštelinį griebtuvą.

► Pav.15: 1. Kumštelinio griebtuvo raktas

Gręžimas deimantiniu šerdimiu grąžtu

PASTABA: Jeigu atliekant darbus deimantiniais šerdimiais grąžtais nustatytas „gręžimo ir kalimo“ režimas, gali būti sugadintas deimantinis šerdimis grąžtas.

Jeigu naudojate deimantinius šerdimius grąžtus, veikimo režimo keitimo svirtelę nustatykite į  padėtį, kad būtų atliekamas „tik gręžimo“ veiksmas.

TECHNINĖ PRIEŽIŪRA

▲ PERSPĖJIMAS: Prieš pradėdami įrankio tikrinimo arba techninės priežiūros darbus, visuomet būtinai išjunkite įrankį ir atjunkite jį nuo maitinimo tinklo.

PASTABA: Niekada nenaudokite gazolino, benzino, tirpiklio, spirito arba panašių medžiagų. Gali atsirasti išblukimų, deformacijų arba įtrūkimų.

Kad gaminys veiktų SAUGIAI ir PATIKIMALI, jį taisyti, apžiūrėti ar atlikti bet kokią kitą priežiūrą arba derinimą turi įgaliotasis kompanijos „Makita“ techninės priežiūros centras; reikia naudoti tik kompanijos „Makita“ pagamintą atsargines dalis.

TEHNILISED ANDMED

Mudel:		M8701
Puurimisvõimsus	Betoon	26 mm
	Südamikupuur	68 mm
	Teemant-südamikupuur (kuiva tüüpi)	80 mm
	Teras	13 mm
	Puit	32 mm
Koormuseta kiirus	0 - 1 200 min ⁻¹	
Löökide arv minutis	0 - 4 500 min ⁻¹	
Üldpikkus	362 mm	
Netokaal	2,7 kg	
Ohutusklass	□/II	

- Meie pideva uuringu- ja arendusprogrammi tõttu võidakse tehnilisi andmeid muuta ilma sellest ette teatamata.
- Tehnilised andmed võivad riigiti erineda.
- Kaal EPTA-protseduuri 01/2003 järgi

Kavandatud kasutus

See tööriist on mõeldud nii telliste, betooni ja kivi löökpuurimiseks ning puurimiseks kui ka meiseldamiseks. Lisaks sobib see puidu, metalli, keraamika ja plasti puurimiseks ilma löökmehhanismi kasutamata.

Vooluvarustus

Seadet võib ühendada ainult andmesildil näidatud pingega vooluvõrku ning seda saab kasutada ainult ühefaasilisel vahelduvvoolutoitel. Seadmel on kahe- ja kolme isolatsioon ning seega võib seda kasutada ka ilma maandusjuhtmeta pistikupessa ühendatult.

Müra

Tüüpiline A-korrigeeritud müratase, määratud standardi EN60745 kohaselt:

Helirõhutase (L_{pA}): 90 dB (A)

Helivõimsuse tase (L_{WA}): 101 dB (A)

Määramatus (K): 3 dB (A)

⚠ HOIATUS: Kasutage kõrvakaitsmeid.

Vibratsioon

Vibratsiooni koguväärtus (kolmeteljeliste vektorite summa) määratud standardi EN60745 kohaselt:

Töörežiim: betooni löökpuurimine

Vibratsiooniindeks ($a_{h, HD}$): 16,5 m/s²

Määramatus (K): 1,5 m/s²

Töörežiim: küljkäepidemega meiseldamise funktsioon

Vibratsiooniindeks ($a_{h, Chet}$): 9,0 m/s²

Määramatus (K): 1,5 m/s²

Töörežiim: metalli puurimine

Vibratsiooniindeks ($a_{h, D}$): 2,5 m/s² või vähem

Määramatus (K): 1,5 m/s²

MÄRKUS: Deklareeritud vibratsiooniindeksi väärtus on mõeldud kasutamise ajal erineda deklaratsiooniga ning seda võib kasutada ühe seadme võrdlemiseks teisega.

MÄRKUS: Deklareeritud vibratsiooniindeksi väärtust võib kasutada ka mürataseme esmaseks hindamiseks.

⚠ HOIATUS: Vibratsioonitase võib elektritööriista tegelikkuses kasutamise ajal erineda deklaratsiooniga väärtusest olenevalt tööriista kasutamise viisidest.

⚠ HOIATUS: Rakendage operaatori kaitsmiseks kindlasti piisavaid ohutusabinõusid, mis põhinevad hinnangulisel müratasemel tegelikus tööolukorras (võttes arvesse tööperioodi kõiki osasid, nagu näiteks korrad, kui seade lülitatakse välja ja seade töötab tühikäigul, lisaks tööajale).

EÜ vastavusdeklaratsioon

Ainult Euroopa riikide puhul

EÜ vastavusdeklaratsioon sisaldub käesoleva juhendi Lisas A.

OHUTUSHOIATUSED

Üldised elektritööriistade ohutushoiatused

⚠ HOIATUS: Lugege läbi kõik ohutushoiatused ja juhtnõuad. Hoiatuste ja juhtnõuade mittejärgmine võib põhjustada elektrilööki, tulekahju ja/või tõsisid vigastusi.

Hoidke edaspidisteks viideteks alles kõik hoiatused ja juhtnöörid.

Hoiatustes kasutatud termini „elektritööriist“ all peetakse silmas elektriga töötavaid (juhtmega) elektritööriistu või akuga töötavaid (juhtmeta) elektritööriistu.

PÖÖRLEVALE VASARALE KOHALDUVAD OHUTUSHOIATUSED

1. Kasutage kuulmiskaitsmeid. Kokkupuude müraga võib kahjustada kuulmist.
2. Kasutage lisakäepidepidemeid, kui need on tööriistadega kaasas. Kontrolli puudumine võib põhjustada inimestele vigastusi.
3. Hoidke elektritööriistu isoleeritud haardepindadest, kui töötate kohas, kus löiketera võib sattuda kokkupuutesse varjatud juhtmete ja seadme enda toitejuhtmega. Voolu all oleva juhtmega kokkupuutesse sattunud löiketera võib pingestada elektritööriista metalloosi ning põhjustada kasutajale elektrilöögi.
4. Kasutage kaitsekiivrit, kaitseprille ja/või näokaitset. Tavalised prillid või päikesepriidid EI OLE kaitseprillid. Äärmiselt soovitatav on kasutada ka tolmumaski ja paksu polstriga kindaid.
5. Enne tööriista kasutamist kontrollige, kas otsak on oma kohale fikseeritud.
6. Tööriista tavapärase kasutamisega kaasneb vibratsioon. Kruvid võivad hõlpsalt lahti tulla, millega võib kaasneda tööriista purunemine või tööõnnetus. Enne tööriista kasutamist kontrollige hoolikalt kruvide pingutatust.
7. Külma ilma korral või siis, kui tööriista ei ole pikemat aega kasutatud, laske tööriistal mõnda aega soojeneda, kätades seda ilma koormuseta. See tõstab määreõli temperatuuri. Ilma nõuetekohase soojenemise ta on löökrežiimi kasutamise komplikseeritud.
8. Veenduge alati, et teie jalgealune oleks kindel. Kui töötate kõrguses, siis jälgige, et teist allpool ei viibiks inimesi.
9. Hoidke tööriista kindlalt kahe käega.
10. Hoidke käed liikuvatest osadest eemal.
11. Ärge jätke tööriista käima. Käivitage tööriist ainult siis, kui hoiate seda käes.
12. Tööriista kasutamisel ärge suunake seda läheduses viibijate poole. Otsak võib välja lennata ja põhjustada raskeid vigastusi.
13. Ärge puudutage vahetult pärast tööriista kasutamist otsaku ega otsaku läheduses asuvaid osi; need võivad olla väga kuumad ja põhjustada põletusvigastusi.
14. Mõned materjalid võivad sisaldada mürgiseid aineid. Võtke meetmed tolmua sissehingamiseks ja nahaga kokkupuute vältimiseks. Järgige materjali tarnija ohutusteavet.

HOIDKE JUHEND ALLES.

HOIATUS: ÄRGE UNUSTAGE järgida toote ohutusnõudeid mugavuse või toote (korduskasutamise saavutatud) hea tundmise tõttu. VALE KASUTUS või kasutusjuhendi ohutuseeskirjade eiramine võib põhjustada tervisekahjustusi.

FUNKTSIONAALNE KIRJELDUS

ETTEVAATUST: Kandke alati hoolt selle eest, et tööriist oleks enne reguleerimist ja kontrollimist välja lülitatud ja vooluvõrgust lahti ühendatud.

Lüliti funktsioneerimine

ETTEVAATUST: Kontrollige alati enne tööriista vooluvõrku ühendamist, kas lüliti päästik funktsioneerib nõuete kohaselt ja liigub lahtilaskmisel tagasi väljalülitatud asendisse.

ETTEVAATUST: Pikemaajalise kasutamisel saab operaatori mugavuses hoides lukustada lüliti sisse lülitatud asendisse. Tööriista lukustamisel sisse lülitatud asendisse olge ettevaatlik ja hoidke tööriista kindlas haardes.

► Joon.1: 1. Lüliti päästik 2. Lahtilukustusnupp

Tööriista tööle panemiseks on vaja lihtsalt lüliti päästikut vajutada. Tööriista kiirus kasvab siis, kui suurendate survet lüliti päästikule. Vabastage lüliti päästik tööriista seiskamiseks.

Katkestamatuks töötamiseks vajutage lüliti päästikut, lükake lukustusnupp sisse ja seejärel vabastage lüliti päästik. Lukustatud tööriista seiskamiseks tõmmake lüliti päästik lõpuni ning seejärel vabastage see.

Suunamuutmise lüliti töötamisviis

ETTEVAATUST: Enne töö alustamist kontrollige alati pöörlemise suunda.

TÄHELEPANU: Kasutage suunamuutmislülitit alles pärast tööriista täielikku seiskumist. Enne tööriista seiskumist suuna muutmine võib tööriista kahjustada.

TÄHELEPANU: Kui lüliti päästikut ei saa alla vajutada, kontrollige, kas suunamuutmise lüliti on seatud korralikult asendisse ◁ (A-külg) või asendisse ▷ (B-külg).

► Joon.2: 1. Suunamuutmise lüliti hooob


Sellel tööriistal on suunamuutmise lüliti, millega saab muuta pöörlemise suunda. Viige suunamuutmise lüliti hooob päripäeva pöörlemiseks asendisse ◁ (A-külg) või vastupäeva pöörlemiseks asendisse ▷ (B-külg).

Töörežiimi valimine

TÄHELEPANU: Ärge pöörake töörežiimi muutmise nuppu siis, kui tööriist töötab. Selle juhise eiramisel kaasneb tööriista kahjustumine.

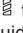
TÄHELEPANU: Režiimimutuse mehhanismi kiire kulumise vältimiseks veenduge, et töörežiimi muutmise nupp oleks alati nõuetekohaselt ühes kolmest töörežiimi asendis.

Pöörlemine koos haamrifunktsiooniga

Betooni, müüritise või muu materjali puurimiseks keerake töörežiimi muutmise nupp sümboliga  tähistatud asendisse. Kasutage volframkarbiidkattega otsakut (valikuline lisatarvik).


► **Joon.3:** 1. Töörežiimi muutmise nupp

Ainult pöörlemisfunktsioon

Puidu, metalli või plastmaterjalide puurimiseks keerake töörežiimi muutmise nupp sümboliga  tähistatud asendisse. Kasutage keerdpuuri või puidupuuri otsakut.

► **Joon.4:** 1. Töörežiimi muutmise nupp

Ainult haamrifunktsioon

Täksimiseks, pealiskihi eemaldamiseks või lammutustöödeks keerake töörežiimi muutmise nupp sümboliga  tähistatud asendisse. Kasutage piiktera, külmeisli, pealiskihi meisli vms.

► **Joon.5:** 1. Töörežiimi muutmise nupp

Kaitsesidur

TÄHELEPANU: Kui kaitsesidur rakendub, lülitage tööriist kohe välja. See aitab vältida tööriista enneaegset kulumist.

TÄHELEPANU: Puuriotsakud (näiteks rõngaspuur), mis võivad pitsuda või avas hõlpsasti kinni jääda, ei ole selle tööriista jaoks sobivad. Sellised otsakud põhjustavad kaitsesiduri liiga sagedast rakendumist.

Kaitsesidur rakendub teatava pöördemomendi taseme saavutamisel. Mootor lahutatakse väljundvõllist. Sellisel juhul puuriotsaku pöörlemine seiskub.

KOKKUPANEK

⚠ETTEVAATUST: Enne tööriistal mingite tööde tegemist kandke alati hoolt selle eest, et see oleks välja lülitatud ja vooluvõrgust lahti ühendatud.

Külgkäepide (abipide)

⚠ETTEVAATUST: Tööohutuse tagamiseks kasutage alati külgkäepidet.

⚠ETTEVAATUST: Kontrollige alati pärast külgkäepideme paigaldamist või reguleerimist, kas külgkäepide on korralikult fikseeritud.

Paigaldage külgkäepide nii, et käepidemel olevad eendid joonduksid tööriista silindril olevate soontega. Seejärel pingutage pideme soovitud asendisse fikseerimiseks käsikruvi päripäeva.

Külgkäepidet saab mis tahes asendisse fikseerimiseks 360° pöörata.

► **Joon.6:** 1. Külgkäepide 2. Käsikruvi 3. Pingutamine 4. Lõdvendamine

Määrimine

Katke puuriotsaku/meisli varrepoolne osa vähese määreõli kogusega (ligikaudu 0,5–1 g).

Padruni määrimine aitab tagada sujuvat talitlust ja pikendab kasutusiga.

Puuriotsaku/meisli paigaldamine või eemaldamine

Puhastage puuriotsaku/meisli varrepoolne osa ja kandke enne puuriotsaku/meisli paigaldamist sellele määreõli.

► **Joon.7:** 1. Puuriotsaku/meisli varrepoolne osa 2. Määrimine


Sisestage puuriotsak/meisel tööriista. Keerake puuriotsakut/meisli tagasi, kuni see fikseerub. Pärast puuriotsaku/meisli paigaldamist püüdke seda alati välja tõmmata, et kontrollida, kas puuriotsak/meisel on korralikult oma kohale fikseeritud.

► **Joon.8:** 1. Puuriotsak/meisel


Puuriotsaku/meisli eemaldamiseks tõmmake padruni kate lõpuni alla ja tõmmake puuriotsak/meisel välja.

► **Joon.9:** 1. Puuriotsak/meisel 2. Padruni kate

Meisli kaldenurk (täksimisel, pealiskihi eemaldamisel või lammutustöödel)

Meisli saab fikseerida soovitud nurga alla. Keerake meisli kaldenurga muutmiseks töörežiimi muutmise nupp sümboliga  tähistatud asendisse. Keerake meisel soovitud nurga alla.

► **Joon.10:** 1. Töörežiimi muutmise nupp

Keerake töörežiimi muutmise nupp sümboliga  tähistatud asendisse. Seejärel kontrollige, kas meisel on korralikult oma kohale fikseeritud, keerates seda veidi.

Sügavuse piiraja

Sügavuse piiraja on mugav abivahend ühesuguse sügavusega aukude puurimiseks. Lõdvendage käsikruvi ja reguleerige sügavuse piiraja soovitud sügavusele. Pärast reguleerimist keerake käsikruvi korralikult kinni.

► **Joon.11:** 1. Käsikruvi 2. Sügavuse piiraja

MÄRKUS: Sügavuse piirajat ei tohi kasutada asendis, kus see puutub vastu ülekandeajami või mootori korpus.

TÖÖRIISTA KASUTAMINE


⚠ETTEVAATUST: Kasutage alati külgkäepidet (abikäepide) ning hoidke tööriista töö ajal kindlalt nii külgkäepidemest kui ka lülitiga käepidemest.

⚠ETTEVAATUST: Kontrollige alati enne kasutamist, kas töödeldav detail on nõuetekohaselt fikseeritud.

► **Joon.12**

Löökpuurimise režiim

⚠ETTEVAATUST: Materjali läbistamisel rakendub tööriistale/puuriotsakule väga suur ja järsk väandajõud, kui auk ummistub laastude ja osakestega või kui tabatakse betooni sarrust. **Kasutage alati külgkäepidid (abikäepide) ning hoidke tööriista töö ajal kindlalt nii külgkäepidemest kui ka lülitiga käepidemest.** Muidu võib tagajärjeks olla kontrolli kaotamine tööriista üle ja raske kehavigastus.


Keerake töörežiimi muutmise nupp sümboliga  tähis-
tatud asendisse.

Pange puuriotsak augu puurimiseks soovitud asukohta ja tõmmake seejärel lüliti päästikult. Ärge rakendage tööriista kasutamisel jõudu. Parimad tulemused annab kerge surve rakendamine. Hoidke tööriista õiges asendis ja vältige selle august väljalibisemist.

Ärge rakendage lisasurvet, kui laastud või osakesed ummistavad augu. Käituge selle asemel tööriista tühikäigul ja eemaldage seejärel puuriotsak osaliselt august. Selle toimingu kordamine aitab auku tühjendada, et saaksite jätkata tavapärase puurimisega.

MÄRKUS: Tööriista koormuseta kasutamisel võib puuriotsak pöörelda ekstsentriliselt. Tööriist tsentree-
rub käitamisel automaatselt. See ei mõjuta puurimise
täpsust.

Täksimine / pealiskihi eemaldamine / lammutustööd

Seadke töörežiimi muutmise nupp sümboliga  tähis-
tatud asendisse.

Hoidke tööriistast kindlalt mõlema käega kinni. Lülitage tööriist sisse ja rakendage tööriistale kergest survet, et tööriist ei liiguks kontrollimatult.

Tööriistale tugeva surve avaldamine ei suurenda efektiivsust.

► Joon.13

Puidu või metalli puurimine


⚠ETTEVAATUST: Hoidke tööriista kindlalt ning olge tähelepanelik, kui puuriotsak hakkab puurita-
vast materjalist läbi tungima. Materjali läbistamisel
rakendub tööriistale/puuriotsakule väga suur jõud.

⚠ETTEVAATUST: Kinnikiilunud puuriotsaku saab lihtsalt vabastada, kui muudate puuri pöör-
lemissuuna vastupidiseks. Kui tööriista ei hoita
kindlalt, võib see ootamatult tagasi viskuda.

⚠ETTEVAATUST: Kinnitage töödeldavad
esemed alati kruustangide või mõne sarnase
kinnitusvahendiga.

TÄHELEPANU: Ärge kunagi kasutage pöörle-
misfunktsiooni koos haamrifunktsiooniga, kui
tööriistale on paigaldatud puuripadrun. Selle
juhuise eiramisel kaasneks puuripadruni kahjustumine.
Samuti tuleks tööriista pöörlemisel puuripadrun töö-
riista küljest lahti.

TÄHELEPANU: Liiga suur surve seadmele ei
kiirenda puurimist. Liigne surve hoopis kahjustab
puuriotsaku tippu, vähendab seadme efektiivsust ja
lühendab seadme tööiga.

Seadke töörežiimi muutmise nupp sümboliga  tähis-
tatud asendisse. Saate puurida metalli auke, mille
läbimõõt on kuni 13 mm (1/2 tolli), ning puitu auke, mille
läbimõõt on kuni 32 mm (1-1/4 tolli).

Kasutage puuripadruni agregaati (valikuline lisatarvik).
Vaadake selle paigaldamisel osa „Puuriotsaku/meisli
paigaldamine või eemaldamine“.

► Joon.14: 1. Puuripadruni agregaat (valikuline
lisatarvik)


Puuriotsaku paigaldamiseks sisestage see padrunisse
maksimaalsele sügavusele. Pingutage padrunit käsitsi.
Pange padrunivõti kõigisse kolme auku ja pingutage
päripäeva. Pingutage kõiki kolme padruniauku kindlasti
võrdsest.

Puuriotsaku eemaldamiseks pöörake padrunivõtit
vastupäeva ainult ühes augus ning keerake seejärel
padrun käsitsi lahti.

► Joon.15: 1. Padrunivõti

Teemant-südamikupuuri kasutamine

TÄHELEPANU: Kui kasutate teemant-südami-
kupuuri pöörlemisfunktsiooni koos haamrifunktsi-
oniga, võib teemant-südamikupuuri otsak
kahjustuda.

Teemant-südamikupuuriga töötamisel seadke ainult
pöörlemisfunktsiooni kasutamiseks muutmishoob alati
asendisse .

HOOLDUS

⚠ETTEVAATUST: Enne kontrolli- või hooldus-
toimingute tegemist kandke alati hoolt selle eest,
et tööriist oleks välja lülitatud ja vooluvõrgust
lahti ühendatud.

TÄHELEPANU: Ärge kunagi kasutage bensiini,
vedeldit, alkoholi ega midagi muud sarnast. Selle
tulemuseks võib olla luitumine, deformatsioon või
pragunemine.

Toote OHUTUSE ja TÕÕKINDLUSE tagamiseks tuleb
vajalikud remonttööd, süsiharja kontroll ja väljavaheta-
mine ning muud hooldus- ja reguleerimistööd lasta teha
Makita volitatud teeninduskeskustes. Alati tuleb kasu-
tada Makita varuosi.

ТЕХНИЧЕСКИЕ ХАРАКТЕРИСТИКИ

Модель:		M8701
Максимальный диаметр сверления	Бетон	26 мм
	Колонковое долото	68 мм
	Колонковое алмазное долото (сухого типа)	80 мм
	Сталь	13 мм
	Дерево	32 мм
Число оборотов без нагрузки		0 - 1 200 мин ⁻¹
Ударов в минуту		0 - 4 500 мин ⁻¹
Общая длина		362 мм
Масса нетто		2,7 кг
Класс безопасности		□/II

- Благодаря нашей постоянно действующей программе исследований и разработок указанные здесь технические характеристики могут быть изменены без предварительного уведомления.
- Технические характеристики могут различаться в зависимости от страны.
- Масса в соответствии с процедурой ЕРТА 01/2003

Назначение

Данный инструмент предназначен для ударного сверления и сверления кирпича, бетона и камня, а также для обработки зубилом. Он также подходит для безударного сверления дерева, металла, керамики и пластмассы.

Источник питания

Данный инструмент должен подключаться к источнику питания с напряжением, соответствующим напряжению, указанному на идентификационной пластине, и может работать только от однофазного источника переменного тока. Он имеет двойную изоляцию и поэтому может подключаться к розеткам без заземления.

Шум

Типичный уровень взвешенного звукового давления (A), измеренный в соответствии с EN60745:
 Уровень звукового давления (L_{pA}): 90 дБ (A)
 Уровень звуковой мощности (L_{WA}): 101 дБ (A)
 Погрешность (K): 3 дБ (A)

⚠ОСТОРОЖНО: Используйте средства защиты слуха.

Вибрация

Суммарное значение вибрации (сумма векторов по трем осям), определенное в соответствии с EN60745:

Рабочий режим: ударное сверление бетона
 Распространение вибрации ($a_{h,HD}$): 16,5 м/с²
 Погрешность (K): 1,5 м/с²

Рабочий режим: обработка зубилом с использованием боковой рукоятки

Распространение вибрации измерено в соответствии со
 Распространение вибрации ($a_{h,Chet}$): 9,0 м/с²
 Погрешность (K): 1,5 м/с²

Рабочий режим: сверление металла
 Распространение вибрации ($a_{h,D}$): 2,5 м/с² или менее
 Погрешность (K): 1,5 м/с²

ПРИМЕЧАНИЕ: Заявленное значение распространения вибрации измерено в соответствии со стандартной методикой испытаний и может быть использовано для сравнения инструментов.

ПРИМЕЧАНИЕ: Заявленное значение распространения вибрации можно также использовать для предварительных оценок воздействия.

⚠ОСТОРОЖНО: Распространение вибрации во время фактического использования электроинструмента может отличаться от заявленного значения в зависимости от способа применения инструмента.

⚠ОСТОРОЖНО: Обязательно определите меры безопасности для защиты оператора, основанные на оценке воздействия в реальных условиях использования (с учетом всех этапов рабочего цикла, таких как выключение инструмента, работа без нагрузки и включение).

Декларация о соответствии ЕС

Только для европейских стран

Декларация о соответствии ЕС включена в руководство по эксплуатации (Приложение А).

МЕРЫ БЕЗОПАСНОСТИ

Общие рекомендации по технике безопасности для электроинструментов

▲ОСТОРОЖНО: Ознакомьтесь со всеми инструкциями и рекомендациями по технике безопасности. Невыполнение инструкций и рекомендаций может привести к поражению электротоком, пожару и/или тяжелым травмам.

Сохраните брошюру с инструкциями и рекомендациями для дальнейшего использования.

Термин "электроинструмент" в предупреждениях относится ко всему инструменту, работающему от сети (с проводом) или на аккумуляторах (без провода).

ПРАВИЛА ТЕХНИКИ БЕЗОПАСНОСТИ ПРИ ОБРАЩЕНИИ С ПЕРФОРАТОРОМ

1. Обязательно используйте средства защиты слуха. Воздействие шума может привести к потере слуха.
2. Используйте дополнительную ручку (если входит в комплект инструмента). Утрата контроля над инструментом может привести к травме.
3. Если при выполнении работ существует риск контакта режущего инструмента со скрытой электропроводкой или собственным шнуром питания, держите электроинструмент за специально предназначенные изолированные поверхности. Контакт с проводом под напряжением может стать причиной поражения оператора током.
4. Надевайте защитную каску (защитный шлем), защитные очки и/или защитную маску для лица. Обычные или солнцезащитные очки НЕ ЯВЛЯЮТСЯ защитными очками. Также настоятельно рекомендуется надевать противопылевую респиратор и перчатки с толстыми подкладками.
5. Перед выполнением работ убедитесь в надежном креплении головки сверла.
6. При нормальной эксплуатации инструмент может вибрировать. Винты могут раскрутиться, что приведет к поломке или несчастному случаю. Перед эксплуатацией тщательно проверяйте затяжку винтов.
7. В холодную погоду, или если инструмент не использовался в течение длительного периода времени, дайте инструменту немного прогреться, включив его без нагрузки. Это размягчит смазку. Без надлежащего прогрева ударное действие будет затруднено.
8. При выполнении работ всегда занимайте устойчивое положение. При использовании инструмента на высоте убедитесь в отсутствии людей внизу.
9. Крепко держите инструмент обеими руками.

10. Руки должны находиться на расстоянии от движущихся деталей.
11. Не оставляйте работающий инструмент без присмотра. Включайте инструмент только тогда, когда он находится в руках.
12. При выполнении работ не направляйте инструмент на кого-либо, находящегося в месте выполнения работ. Головка сверла может выскочить и травмировать других людей.
13. Сразу после окончания работ не прикасайтесь к головке сверла или к деталям в непосредственной близости от нее. Головка сверла может быть очень горячей и обжечь кожу.
14. Некоторые материалы могут содержать токсичные химические вещества. Примите соответствующие меры предосторожности, чтобы избежать вдыхания или контакта с кожей таких веществ. Соблюдайте требования, указанные в паспорте безопасности материала.

СОХРАНИТЕ ДАННЫЕ ИНСТРУКЦИИ.

▲ОСТОРОЖНО: НЕ ДОПУСКАЙТЕ, чтобы удобство или опыт эксплуатации данного устройства (полученный от многократного использования) доминировали над строгим соблюдением правил техники безопасности при обращении с этим устройством. НЕПРАВИЛЬНОЕ ИСПОЛЬЗОВАНИЕ инструмента или несоблюдение правил техники безопасности, указанных в данном руководстве, может привести к тяжелой травме.

ОПИСАНИЕ РАБОТЫ

▲ВНИМАНИЕ: Перед регулировкой или проверкой функций инструмента обязательно убедитесь, что он выключен и его вилка вынута из розетки.

Действие выключателя

▲ВНИМАНИЕ: Перед включением инструмента в розетку обязательно убедитесь, что триггерный переключатель работает надлежащим образом и возвращается в положение "ВЫКЛ", если его отпустить.

▲ВНИМАНИЕ: В случае продолжительной работы для удобства оператора переключатель можно зафиксировать в положении "ВКЛ.". Соблюдайте осторожность при фиксации инструмента в положении "ВКЛ." и крепко удерживайте инструмент.

► Рис.1: 1. Триггерный переключатель 2. Кнопка разблокировки

Для запуска инструмента просто нажмите на триггерный переключатель. Для увеличения числа оборотов нажмите триггерный переключатель сильнее. Отпустите триггерный переключатель для остановки.

Для непрерывной работы инструмента нажмите на триггерный переключатель, нажмите кнопку блокировки и затем отпустите триггерный переключатель. Для остановки инструмента из заблокированного положения полностью нажмите триггерный переключатель, затем отпустите его.

Действие реверсивного переключателя

ВНИМАНИЕ: Перед работой всегда проверьте направление вращения.

ПРИМЕЧАНИЕ: Используйте реверсивный переключатель только после полной остановки инструмента. Изменение направления вращения до полной остановки инструмента может привести к его повреждению.

ПРИМЕЧАНИЕ: Если триггерный переключатель нельзя нажать, убедитесь, что реверсивный переключатель полностью переведен в положение ◁ (сторона А) или ▷ (сторона В).

► **Рис.2:** 1. Рычаг реверсивного переключателя


Этот инструмент оборудован реверсивным переключателем для изменения направления вращения. Переместите рычаг реверсивного переключателя в положение ◁ (сторона А) для вращения по часовой стрелке или в положение ▷ (сторона В) для вращения против часовой стрелки.

Выбор режима действия

ПРИМЕЧАНИЕ: Не поворачивайте ручку изменения режима работы во время работы инструмента. Это приведет к поломке инструмента.


ПРИМЕЧАНИЕ: Во избежание быстрого износа механизма изменения режима работы всегда точно находилась в одном из трех положений режима действия.

Вращение с ударным действием

Для сверления бетона, кирпичной кладки и т.п. поверните ручку изменения режимов работы в положение . Используйте головку сверла с наконечником из карбида вольфрама (дополнительная принадлежность).

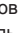
► **Рис.3:** 1. Ручка изменения режима работы

Только вращение

Для сверления дерева, металла или пластмасс поверните ручку изменения режимов работы в положение . Используйте спиральное сверло или сверло по дереву.

► **Рис.4:** 1. Ручка изменения режима работы

Только ударное действие

Для расщепления, скобления или разрушения конструкций поверните ручку переключения режимов работы в положение . Используйте пирамидальное долото, слесарное зубило, резец и т.п.

► **Рис.5:** 1. Ручка изменения режима работы

Ограничитель крутящего момента

ПРИМЕЧАНИЕ: При срабатывании ограничителя крутящего момента немедленно выключите инструмент. Это поможет предотвратить преждевременный износ инструмента.

ПРИМЕЧАНИЕ: Такие головки сверла, как кольцевая пила, которые могут быть легко защемлены в отверстии, не подходят для данного инструмента. Такие насадки вызывают частое срабатывание ограничителя крутящего момента.

Ограничитель крутящего момента срабатывает при достижении определенного уровня крутящего момента. Электродвигатель отсоединится от выходного вала. Когда это произойдет, головка сверла перестанет вращаться.

СБОРКА

ВНИМАНИЕ: Перед проведением каких-либо работ с инструментом обязательно проверяйте, что инструмент выключен, а шнур питания вынут из розетки.

Боковая ручка (вспомогательная рукоятка)

ВНИМАНИЕ: Для обеспечения безопасности во время работ всегда используйте боковую ручку.

ВНИМАНИЕ: После установки или регулировки боковой ручки убедитесь в надежности ее крепления.

Установите боковую ручку так, чтобы выступы на ручке вошли в пазы на цилиндрической части инструмента. Затем затяните барашковый винт, чтобы зафиксировать ручку в нужном положении. Боковая ручка поворачивается на 360° для закрепления в любом положении.

► **Рис.6:** 1. Боковая ручка 2. Винт с накатанной головкой 3. Затянуть 4. Ослабить

Смазка

Смажьте хвостовик головки сверла/зубила заранее небольшим количеством смазки для головки сверла (примерно 0,5 - 1 г).

Такая смазка патрона обеспечивает равномерную работу и увеличивает срок службы.

Установка или снятие головки сверла/зубила

Перед установкой головки сверла/зубила очистите хвостовик и смажьте его.

► **Рис.7:** 1. Хвостовик головки сверла/зубила 2. Смазка

Вставьте головку сверла/зубило в инструмент. Поверните головку сверла/зубило и нажмите, чтобы зафиксировать. После установки всегда проверяйте прочность закрепления головки сверла/зубила на месте, попытавшись вытянуть их.

► **Рис.8:** 1. Головка сверла/зубило

Чтобы удалить головку сверла/зубило, нажмите вниз на крышку патрона и вытащите головку сверла/зубило.

► **Рис.9:** 1. Головка сверла/зубило 2. Крышка патрона

Угол зубила (при расщеплении, скоблении или разрушении)

Зубило можно закрепить под нужным углом. Для изменения угла зубила поверните ручку переключения режимов работы в положение O. Поверните зубило на необходимый угол.

► **Рис.10:** 1. Ручка изменения режима работы

Установите ручку переключения режимов в положение T. Затем, слегка повернув зубило, убедитесь, что оно надежно закреплено.

Глубиномер

Глубиномер удобен для сверления отверстий одинаковой глубины. Ослабьте барашковый винт и отрегулируйте глубиномер на необходимую глубину. После окончания регулировки затяните барашковый винт.

► **Рис.11:** 1. Винт с накатанной головкой
2. Глубиномер

ПРИМЕЧАНИЕ: Глубиномер нельзя использовать в месте, где глубиномер касается корпуса редуктора/двигателя.

ЭКСПЛУАТАЦИЯ

ВНИМАНИЕ: Всегда пользуйтесь боковой ручкой (вспомогательной рукояткой) и при работе крепко держите инструмент и за боковую ручку, и за ручку с выключателем.

ВНИМАНИЕ: Перед началом работы всегда проверяйте надежность закрепления рабочей детали.

► **Рис.12**

Сверление с ударным действием

ВНИМАНИЕ: Когда инструмент/головка сверла начинает выходить из материала при завершении отверстия или когда отверстие забивается стружкой или частицами, а также при попадании на пруток арматуры при сверлении бетона, возникает огромное мгновенное усилие на инструмент/головку сверла. **Всегда пользуйтесь боковой ручкой (вспомогательной рукояткой) и при работе крепко держите инструмент и за боковую ручку, и за ручку с выключателем.** Несоблюдение данного требования может привести к потере контроля над инструментом и серьезной травме.

Поверните ручку изменения режима работы к символу .

Расположите головку сверла в желаемом положении в отверстии, затем нажмите триггерный переключатель. Не прилагайте излишних усилий к инструменту. Небольшое усилие на инструмент приводит к лучшим результатам. Удерживайте инструмент на месте и не допускайте его соскальзывания с места выполнения отверстия.

Не применяйте дополнительное давление, если отверстие засорено щепками или посторонними частицами. Вместо этого дайте инструменту поработать вхолостую и затем частично вытащите головку сверла из отверстия. Если эту процедуру проделать несколько раз, отверстие очистится и можно будет возобновить обычное сверление.

ПРИМЕЧАНИЕ: При работе с инструментом без нагрузки может наблюдаться эксцентричность головки сверла при вращении. Инструмент осуществляет автоматическую центровку в ходе его эксплуатации. Это не влияет на точность сверления.

Расщепление/Скобление/Разрушение

Поверните ручку изменения режима работы к символу .

Крепко держите инструмент обеими руками. Включите инструмент и немного надавите на него, чтобы предотвратить неконтролируемое подпрыгивание инструмента.

Слишком сильное нажатие на инструмент не повысит эффективность.

► **Рис.13**

Сверление дерева или металла


ВНИМАНИЕ: Крепко удерживайте инструмент и будьте осторожны, когда головка сверла начинает проходить сквозь обрабатываемую деталь. В момент выхода головки сверла из детали возникает огромное усилие на инструмент/сверло.

ВНИМАНИЕ: Заклинившая головка сверла может быть без проблем извлечена из обрабатываемой детали путем изменения направления вращения при помощи реверсивного переключателя. Однако если вы не будете крепко держать инструмент, он может резко сдвинуться назад.

ВНИМАНИЕ: Всегда закрепляйте обрабатываемые детали в тисках или аналогичном зажимном устройстве.

ПРИМЕЧАНИЕ: Запрещается использовать режим "вращения с ударным действием", если на инструменте установлен сверлильный патрон. Это может привести к повреждению сверлильного патрона. Кроме того, при изменении направления вращения сверлильный патрон отсоединится.

ПРИМЕЧАНИЕ: Чрезмерное нажатие на инструмент не ускорит сверление. На самом деле, чрезмерное давление только повредит наконечник головки сверла, снизит производительность инструмента и сократит срок его службы.

Поверните ручку изменения режима работы к символу . Вы можете просверлить отверстие диаметром до 13 мм (1/2 дюйма) в металле и до 32 мм (1-1/4 дюйма) в дереве.

Используйте сверлильный патрон (дополнительная принадлежность). При его установке обратитесь к разделу "Установка или снятие головки сверла/зубила".

► **Рис.14:** 1. Сверлильный патрон (дополнительная принадлежность)


Для установки головки сверла вставьте ее до упора в сверлильный патрон. Вручную затяните зажимной патрон. Вставьте патронный ключ в каждое из трех отверстий и затяните его по часовой стрелке. Обязательно затягивайте все три отверстия патрона равномерно.

Для снятия головки сверла поверните патронный ключ против часовой стрелки только в одном отверстии, затем ослабьте патрон вручную.

► **Рис.15:** 1. Патронный ключ

Сверление колонковым алмазным долотом

ПРИМЕЧАНИЕ: Если выполнять работы колонковым алмазным долотом с использованием режима "вращение с ударным действием", колонковое алмазное долото можно повредить.

При сверлении колонковым алмазным долотом всегда переводите рычаг переключения в положение  "только вращение".

ОБСЛУЖИВАНИЕ

ВНИМАНИЕ: Перед проверкой или проведением техобслуживания убедитесь, что инструмент выключен, а штекер отсоединен от розетки.

ПРИМЕЧАНИЕ: Запрещается использовать бензин, растворители, спирт и другие подобные жидкости. Это может привести к обесцвечиванию, деформации и трещинам.

Для обеспечения БЕЗОПАСНОСТИ и НАДЕЖНОСТИ изделия ремонт, проверка и замена угольных щеток и любые другие работы по техобслуживанию или регулировке должны осуществляться в уполномоченных сервис-центрах Makita с использованием запасных частей только производства компании Makita.

Makita Europe N.V. Jan-Baptist Vinkstraat 2,
3070 Kortenberg, Belgium

Makita Corporation 3-11-8, Sumiyoshi-cho,
Anjo, Aichi 446-8502 Japan

www.makita.com

885528-982
EN, SV, NO, FI, LV,
LT, ET, RU
20160603