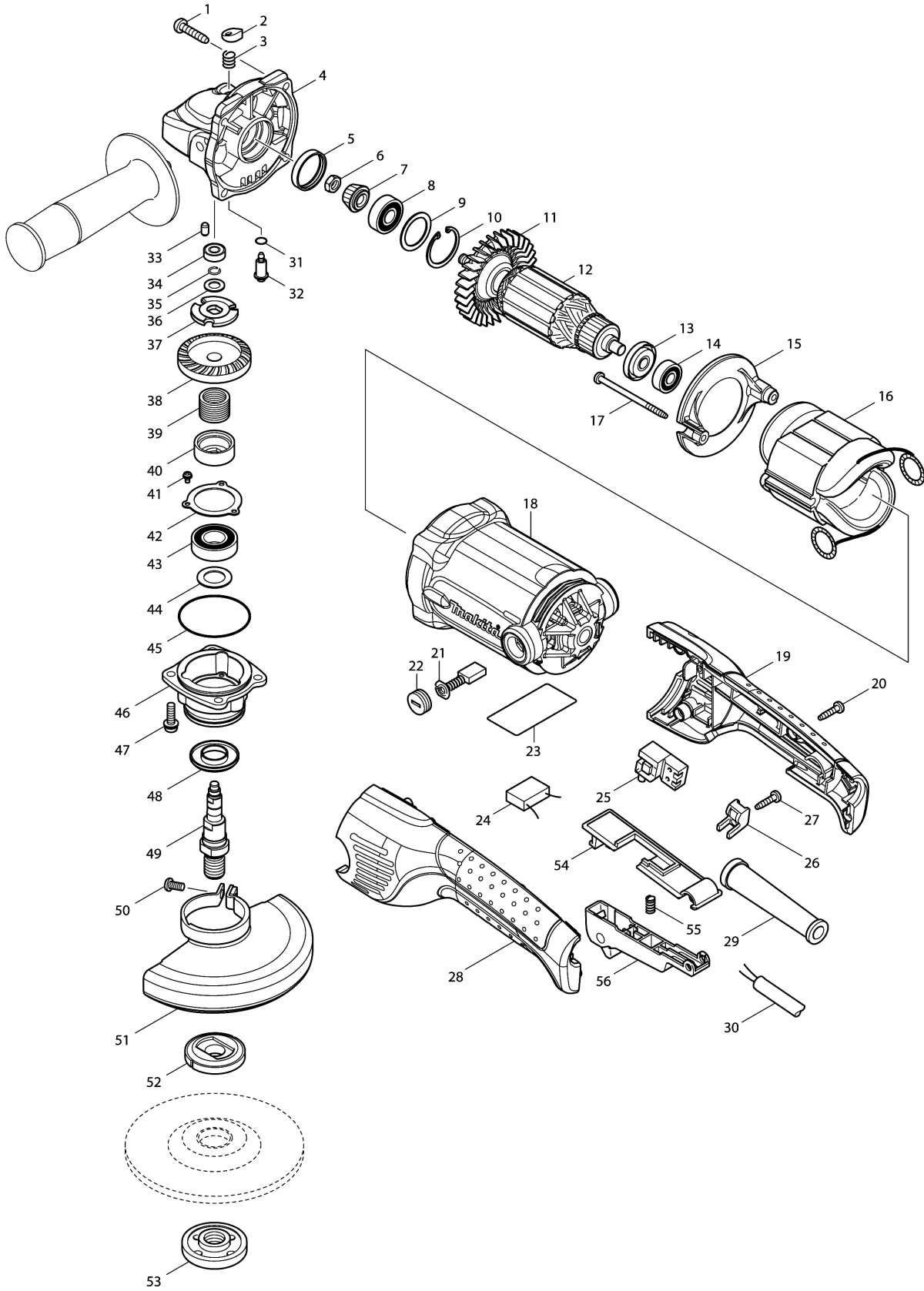


Model No.GA5021 ANGLE GRINDER 125MM



Model No.GA5021 ANGLE GRINDER 125MM

Item	Parts No.	Description	I/C	Qty	New/Old	Opt. 1	Opt. 2	Note
001	266041-8	TAPPING SCREW 5X25		4	*			
001-1	266459-3	TAPPING SCREW 5X25	O	4				
002	417771-6	PIN CAP		1				
003	234057-1	COMPRESSION SPRING 8		1				
004	318158-4	GEAR HOUSING		1				
005	262132-3	RUBBER RING 27		1				
006	264010-3	HEX.NUT M7		1				
007	227517-0	SPIRAL BEVEL GEAR 13		1				
008	211088-7	BALL BEARING 6000DDW		1	*			
008-1	210059-1	BALL BEARING 6000DDW	<	1				
009	267352-4	FLAT WASHER 22		1				
010	962107-9	RETAINING RING (INT) R-30		1				
011	240094-5	FAN 70		1				
012	513704-0	ARMATURE ASS'Y 240V		1	*			
D10		INC. 11,13,14			*			
012-1	510132-0	ARMATURE ASS'Y 240V	O	1				
D10		INC. 11,13,14						
013	681644-1	INSULATION WASHER		1				
014	210005-4	BALL BEARING 608DDW		1				
015	419961-7	BAFFLE PLATE		1				
016	525803-6	FIELD ASS'Y 220-240V		1				
C10	654020-2	RING TERMINAL		2				
C20	654555-3	CONNECTOR 34130		2				
017	266340-8	TAPPING SCREW 4X65		2				
018	158278-0	MOTOR HOUSING COMPLETE		1				
C10	643708-9	BRUSH HOLDER 5-11		2				
019	188462-3	HANDLE SET		1				
D10		INC. 28						
020	266326-2	TAPPING SCREW 4X18		4				
021	191963-2	CARBON BRUSH CB-303		1				
022	643750-0	BRUSH HOLDER CAP 7-11		2				
023	864611-3	GA5021 NAME PLATE		1				
024	645200-1	NOISE SUPPRESSOR		1				
025	651922-3	SWITCH TG71B		1	*			
025-1	650677-7	SWITCH C3PA-1112	<	1	*			
025-2	651922-3	SWITCH TG71B	<	1				
026	687260-7	STRAIN RELIEF		1				
027	266326-2	TAPPING SCREW 4X18		1				
028	188462-3	HANDLE SET		1				
D10		INC. 19						
029	682505-8	CORD GUARD 10-90		1				
030	665865-3	POWER SUPPLY CORD 1.0-2-2.5		1				

Please order the parts with part number.

Print Date 30/3/2020

Model No.GA5021 ANGLE GRINDER 125MM

Item	Parts No.	Description	I/C	Qty	New/Old	Opt. 1	Opt. 2	Note
031	213977-2	O RING 7		1				
032	256505-0	SHOULDER PIN 5		1				
033	263002-9	RUBBER PIN 4		1				
034	210006-2	BALL BEARING 696ZZ		1				
035	233926-3	RING SPRING 7		1				
036	253835-0	FLAT WASHER 8		1				
037	267811-8	LOCK WASHER		1				
038	227519-6	SPIRAL BEVEL GEAR 34B		1				
039	233957-2	LOCK SPRING 16		1	*			
039-1	234356-1	LOCK SPRING 16	<	1				
040	324833-2	LOCK SLEEVE		1				
041	911003-8	PAN HEAD SCREW M3X6		3				
042	285728-3	BEARING RETAINER 39		1				
043	211236-8	BALL BEARING 6002DDW		1				
044	253853-8	FLAT WASHER 15		1				
045	213624-5	O RING 48		1				
046	318160-7	BEARING BOX		1	*			
046-1	318299-6	BEARING BOX	<	1	*			
046-2	318332-4	BEARING BOX	S	1				
047	265131-4	PAN HEAD SCREW M5X18		4				
048	345464-4	LABYRINTH RING		1				
049	324789-9	SPINDLE		1				
050	265180-1	PAN HEAD SCREW M5X16		1				
051	135187-0	WHEEL COVER 125 ASSY		1	*			
D10		INC. 50			*			
051-1	135202-0	WHEEL COVER 125K ASSY	<	1	*			
D10		INC. 50			*			
051-2	135240-2	WHEEL COVER ASS'Y	S	1	*			
D10		INC. 50			*			
051-3	122887-1	WHEEL COVER 125K ASSY	<	1	*			
C10	213009-5	O RING 4		1	*			
D10		INC. 50			*			
051-4	123099-9	WHEEL COVER 125AK ASSEMBLY	<	1				
C10	213009-5	O RING 4		1				
D10		INC. 50						
052	224415-9	INNER FLANGE 42		1				
053	224554-5	LOCK NUT 14-45		1				
054	418519-9	SWITCH BASE		1				
055	233117-6	COMPRESSION SPRING 6		1				
056	158401-7	SWITCH LEVER A COMPLETE		1	*			
056-1	158402-5	SWITCH LEVER B COMPLETE	<	1				
057	819282-1	CLEAR LABEL		1				

Please order the parts with part number.

Print Date 30/3/2020

Model No.GA5021 ANGLE GRINDER 125MM

Item	Parts No.	Description	I/C	Qty	New/Old	Opt. 1	Opt. 2	Note
A01	153504-2	GRIP 36 COMPLETE		1				
A02	782423-1	LOCK NUT WRENCH 35		1				

Please order the parts with part number.

Print Date 30/3/2020