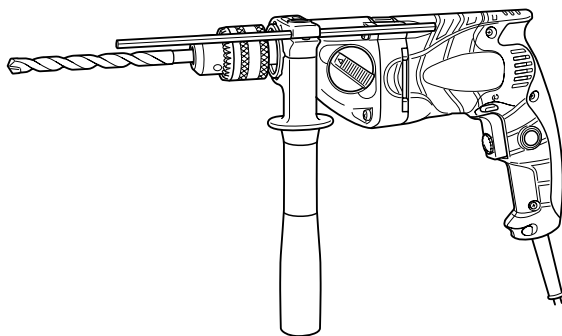


# HITACHI

Impact Drill  
Schlagbohrmaschine  
Κρουστικό δραπανο  
Wiertarka Udarowa  
Ütvefűrógép  
Příklepová vrtačka  
Darbeli Matkap  
Ударная дрель

DV 20VB2

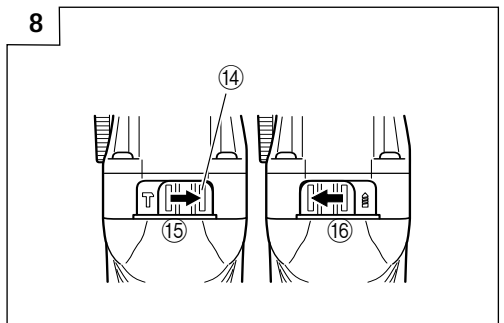
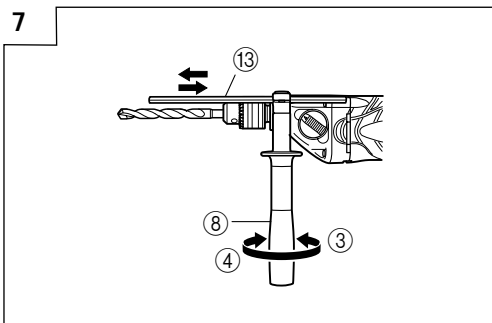
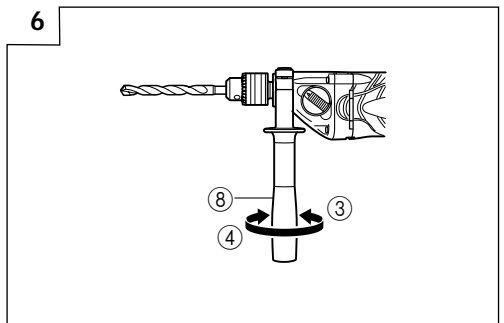
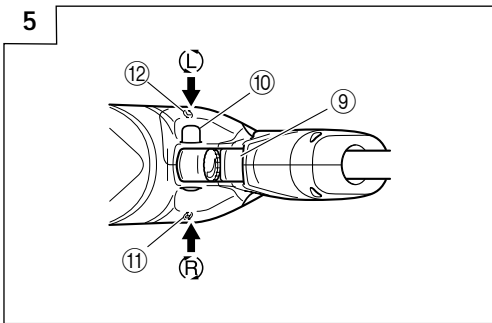
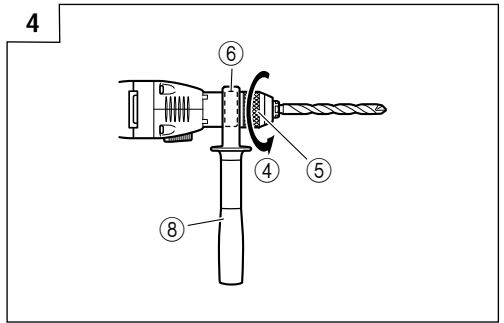
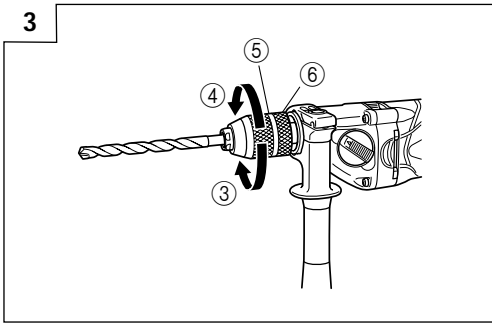
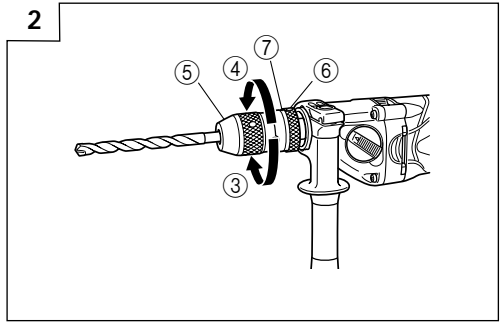
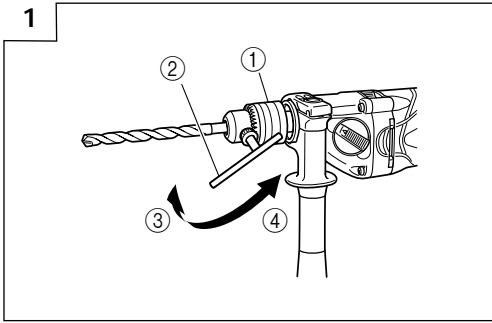


Read through carefully and understand these instructions before use.  
Diese Anleitung vor Benutzung des Werkzeugs sorgfältig durchlesen und verstehen.  
Διαβάστε προσεκτικά και κατανοήστε αυτές τις οδηγίες πριν τη χρήση.  
Przed użytkowaniem należy dokładnie przeczytać niniejszą instrukcję i zrozumieć jej treść.  
Használat előtt olvassa el figyelmesen a használati utasítást.  
Před použitím si pečlivě přečtěte tento návod a ujistěte se, že mu dobře rozumíte.  
Aleti kullanmadan önce bu kılavuzu iyice okuyun ve talimatları anlayın.  
Внимательно прочтите данную инструкцию по эксплуатации прежде чем пользоваться инструментом.

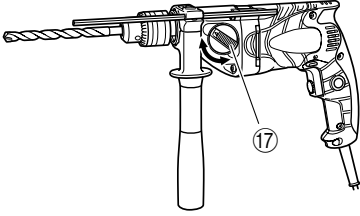


Handling instructions  
Bedienungsanleitung  
Οδηγίες χειρισμού  
Instrukcja obsługi  
Kezelési utasítás  
Návod k obsluze  
Kullanım talimatları  
Инструкция по эксплуатации

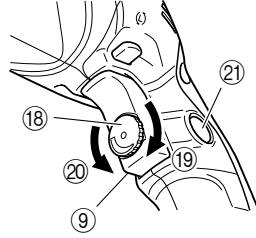
Hitachi Koki



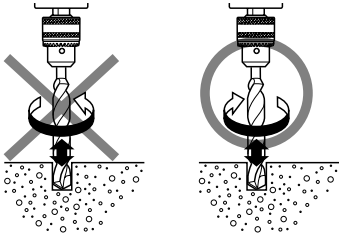
9



10



11



	English	Deutsch	Ελληνικά	Polski
①	Drill chuck	Bohrfutter	Σφικτήρας δραπάνου	Uchwyt wiertarski
②	Chuck wrench	Futterschlüssel	Κλειδί σφικτήρα	Klucz do uchwytu wiertarskiego
③	Tighten	Anziehen	Σφίξετε	Dokręcanie
④	Loosen	Lösen	Χαλαρώστε	Luzowanie
⑤	Sleeve	Manschette	Συνδετικός δακτύλιος	Tuleja
⑥	Ring	Ring	Δακτύλιος	Pierścień
⑦	Lock collar	Verriegelungsbund	Κολάρο ασφαλείας	Kolnierz mocujący
⑧	Side handle	Seitengriff	Πλευρική λαβή	Uchwyt boczny
⑨	Switch trigger	Abzugschalter	Σκανδάλη διακόπτης	Spust włącznika
⑩	Push button	Druckknopf	Κουμπί ώθησης	Przycisk
⑪	(R) mark	Markierung (R)	(R) σημάδι	Symbol (R)
⑫	(L) mark	Markierung (L)	(L) σημάδι	Symbol (L)
⑬	Depth gauge	Tiefenlehre	Μετρητής βάθους	Ogranicznik głębokości
⑭	Change lever	Umschalthebel	Μοχλός αλλαγής	Dźwignia przełącznika
⑮	Impact	Schlagbohre	Κρούση	Uderzenia
⑯	Rotation	Bohren	Περιστροφή	Obroty
⑰	Gear shift dial	Gangschaltscheibe	Καντράν αλλαγής ταχύτητας	Pokręto zmiany przełozenia
⑱	Speed control dial	Drehzahlkala	Καντράν ελέγχου ταχύτητας	Pokręto kontroli prędkości
⑲	High speed	Hohe Drehzahl	Υψηλή ταχύτητα	Duża prędkość
⑳	Low speed	Niedrige Drehzahl	Χαμηλή ταχύτητα	Mała prędkość
㉑	Stopper	Stopper	Στόπερ	Zatyczka

	Magyar	Čeština	Türkçe	Русский
①	Fúrótokmány	Skličidlo	Matkap mandreni	Патрон дрели
②	Tokmánykulcs	Klíč skličidla	Mandren anahtarı	Ключ патрона
③	Megszorítani	Utažení	Sikiştirme	Затянуть
④	Kiengedni	Povolení	Gevşetme	Ослабить
⑤	Karmantyú	Ovjímka	Manşon	Гильза
⑥	Gyűrű	Kruh	Halka	Кольцо
⑦	Zárógallér	Prsteneč skličidla	Kilit halkası	Фиксирующая шайба
⑧	Oldalfogantyú	Boční držadlo	Yan kol	Боковая рукоятка
⑨	Kapcsoló	Spoušť	Anahtar tetiği	Переключатель
⑩	Nyomógomb	Tlačítko	İtme düğmesi	Кнопка
⑪	(R) - jobbra forgásirány-jelölés	Znak pravého chodu (R)	(R) işareti	Знак (R) – влево
⑫	(L) - jobbra forgásirány-jelölés	Znak levého chodu (L)	(L) işareti	Знак (L) – влево
⑬	Mélységmérő	Měřitko hloubky	Derinlik ölçme aleti	Ограничитель глубины
⑭	Üzem mód váltó	Přepínač	Değiştirme kolu	Регулировочный рычаг
⑮	Terhelés	Přiklep	Darbe	Удар
⑯	Forgás	Rotace	Devir	Вращение
⑰	Fordulatszám kapcsoló	Číselník převodovky	Vites değiştirme düğmesi	Диск переключения передачи
⑱	Fordulatszám szabályzó	Číselník volby rychlosti	Hız kontrol düğmesi	Диск регулировки скорости
⑲	Magas fordulatszám	Vysoká rychlost	Yüksek hız	Высокая скорость
⑳	Alacsony fordulatszám	Nizká rychlost	Düşük hız	Низкая скорость
㉑	Ütköző	Zarážka	Derinlik mesnedi	Стопор

---

## GENERAL OPERATIONAL PRECAUTIONS

---

**WARNING!** When using electric tools, basic safety precautions should always be followed to reduce the risk of fire, electric shock and personal injury, including the following.

Read all these instructions before operating this product and save these instructions.

For safe operations:

1. Keep work area clean. Cluttered areas and benches invite injuries.
2. Consider work area environment. Do not expose power tools to rain. Do not use power tools in damp or wet locations. Keep work area well lit. Do not use power tools where there is risk to cause fire or explosion.
3. Guard against electric shock. Avoid body contact with earthed or grounded surfaces. (e.g. pipes, radiators, ranges, refrigerators).
4. Keep children and infirm persons away. Do not let visitors touch the tool or extension cord. All visitors should be kept away from work area.
5. Store idle tools. When not in use, tools should be stored in a dry, high or locked up place, out of reach of children and infirm persons.
6. Do not force the tool. It will do the job better and safer at the rate for which it was intended.
7. Use the right tool. Do not force small tools or attachments to do the job of a heavy duty tool. Do not use tools for purposes not intended; for example, do not use circular saw to cut tree limbs or logs.
8. Dress properly. Do not wear loose clothing or jewelry, they can be caught in moving parts. Rubber gloves and non-skid footwear are recommended when working outdoors. Wear protecting hair covering to contain long hair.
9. Use eye protection. Also use face or dust mask if the cutting operation is dusty.
10. Connect dust extraction equipment. If devices are provided for the connection of dust extraction and collection facilities ensure these are connected and properly used.
11. Do not abuse the cord. Never carry the tool by the cord or yank it to disconnect it from the receptacle. Keep the cord away from heat, oil and sharp edges.
12. Secure work. Use clamps or a vise to hold the work. It is safer than using your hand and it frees both hands to operate tool.
13. Do not overreach. Keep proper footing and balance at all times.
14. Maintain tools with care. Keep cutting tools sharp and clean for better and safer performance. Follow instructions for lubrication and changing accessories. Inspect tool cords periodically and if damaged, have it repaired by authorized service center. Inspect extension cords periodically and replace, if damaged. Keep handles dry, clean, and free from oil and grease.
15. Disconnect tools. When not in use, before servicing, and when changing accessories such as blades, bits and cutters.
16. Remove adjusting keys and wrenches. Form the habit of checking to see that keys and adjusting wrenches are removed from the tool before turning it on.

17. Avoid unintentional starting. Do not carry a plugged-in tool with a finger on the switch. Ensure switch is off when plugging in.
18. Use outdoor extension leads. When tool is used outdoors, use only extension cords intended for outdoor use.
19. Stay alert. Watch what you are doing. Use common sense. Do not operate tool when you are tired.
20. Check damaged parts. Before further use of the tool, a guard or other part that is damaged should be carefully checked to determine that it will operate properly and perform its intended function. Check for alignment of moving parts, free running of moving parts, breakage of parts, mounting and any other conditions that may affect its operation. A guard or other part that is damaged should be properly repaired or replaced by an authorized service center unless otherwise indicated in this handling instructions. Have defective switches replaced by an authorized service center. Do not use the tool if the switch does not turn it on and off.
21. Warning  
The use of any accessory or attachment, other than those recommended in this handling instructions, may present a risk of personal injury.
22. Have your tool repaired by a qualified person.  
This electric tool is in accordance with the relevant safety requirements. Repairs should only be carried out by qualified persons using original spare parts. Otherwise this may result in considerable danger to the user.

---

## PRECAUTIONS ON USING IMPACT DRILL

---

1. Before drilling into walls, ceilings or floors, ensure that there are no concealed power cables inside.
2. Always use side handle and hold the tool firmly with both hands.
3. Always use the impact drill with clockwise rotation, when using it as an impact drill. (Fig. 11)

## SPECIFICATIONS

Voltage (by areas)*	(110V, 220V, 230V, 240V) ~		
Power input	790 W*		
Speed change	1	2	
No load speed	Forward rotation	0 – 1000 min <sup>-1</sup>	0 – 3000 min <sup>-1</sup>
	Reverse rotation	0 – 600 min <sup>-1</sup>	0 – 1800 min <sup>-1</sup>
Capacity	Steel	13 mm	8 mm
	Concrete	20 mm	13 mm
	Wood	40 mm	25 mm
Full load impact rate	8000 min <sup>-1</sup>	26000 min <sup>-1</sup>	
Weight (without cord)	2.2 kg		

\*Be sure to check the nameplate on product as it is subject to change by areas.

## STANDARD ACCESSORIES

- (1) Chuck Wrench (Spec. only for keyed chuck) ..... 1  
 (2) Side Handle ..... 1  
 (3) Depth Gauge ..... 1  
 Standard accessories are subject to change without notice.

## OPTIONAL ACCESSORIES (sold separately)

- (1) Impact Drill Bit (for concrete)  
 3.2 mm – 20 mm dia.  
 Optional accessories are subject to change without notice.

## APPLICATIONS

- By combined actions of ROTATION and IMPACT:  
 Boring holes in hard materials (concrete, marble, granite, tiles, etc.)
- By ROTATIONAL action:  
 Boring holes in metal, wood and plastic.

## PRIOR TO OPERATION

1. **Power source**  
 Ensure that the power source to be utilized conforms to the power requirements specified on the product nameplate.
2. **Power switch**  
 Ensure that the power switch is in the OFF position. If the plug is connected to a receptacle while the power switch is in the ON position, the power tool will start operating immediately, inviting serious accident.
3. **Extension cord**  
 When the work area is removed from the power source, use an extension cord of sufficient thickness and rated capacity. The extension cord should be kept as short as practicable.
4. **Selecting the appropriate drill bit**
  - When boring concrete or stone  
 Use the drill bits specified in the Optional Accessories.
  - When boring metal or plastic  
 Use an ordinary metalworking drill bit.

- When boring wood  
 Use an ordinary woodworking drill bit.  
 However, when drilling 6.5 mm or smaller holes, use a metalworking drill bit.

### 5. Mounting and dismounting of the bit

#### For keyed chuck (Fig. 1)

- (1) Open the chuck jaws, and insert the bit into the chuck.
- (2) Place the chuck wrench in each of the three holes in the chuck, and turn it in the clockwise direction (viewed from the front side). Tighten securely.
- (3) To remove the bit, place the chuck wrench into one of the holes in the chuck and turn it in the counterclockwise direction.

#### For keyless chuck

The country of use will determine whether Type A or Type B keyless chuck is required.

- Type A (Fig. 2)
- (1) Mounting the bit  
 Turn the lock collar in the direction "AUF" and open the chuck. After inserting the drill bit into the chuck as far it will go, turn the lock collar in the "ZU" direction. Grip the ring and close the chuck by turning the sleeve clockwise as viewed from the front.
  - (2) Dismounting the bit  
 Turn the lock collar in the direction "AUF" to release the chucking force. Grip the ring and open the chuck by turning the sleeve counterclockwise.

#### NOTE

When the sleeve does not become loose any further, fix the side handle to ring, hold side handle firmly, then turn the sleeve to loosen by hand. (Fig. 4)

- Type B (Fig. 3)
- (1) Mounting the bit  
 Turn the sleeve counterclockwise and open the chuck. After inserting the drill bit into the chuck as far it will go, grip the ring and close the chuck by turning the sleeve clockwise as viewed from the front.
  - (2) Dismounting the bit  
 Grip the ring and open the chuck by turning the sleeve counterclockwise.

**NOTE**

When the sleeve does not become loose any further, fix the side handle to ring, hold side handle firmly, then turn the sleeve to loosen by hand. (Fig. 4)

**6. Check the rotational direction (Fig. 5)**

The bit rotates clockwise (viewed from the rear side) by pushing the R-side of the push button.

The L-side of the push button is pushed to turn the bit counterclockwise.

(The (L) and (R) marks are provided on the body.)

**CAUTION**

Always use the impact drill with clockwise rotation, when using it as an impact drill.

**7. Fixing the side handle (Fig. 6)**

Attach the side handle to the mounting part.

Rotate the side handle grip in a clockwise direction to secure it.

Set the side handle to a position that is suited to the operation and then securely tighten the side handle grip.

To attach a depth gauge on the side handle, insert the gauge into the U-shaped groove on the side handle, adjust the position of the depth gauge in accordance with the desired depth of the hole, and firmly tighten the side handle grip. (Fig. 7)

**8. IMPACT to ROTATION changeover (Fig. 8)**

Shift the change lever between the right and left positions to switch easily between IMPACT (rotation and impact) and ROTATION (rotation only), respectively. To bore holes in hard materials such as concrete, stone and tiles, shift the change lever to the right-hand position (as indicated by the **T** mark).

The drill bit operates by the combined actions of impact and rotation.

To bore holes in metal, wood and plastic, shift the change lever to the left-hand position (as indicated by the **I** mark). The drill bit operates by rotational action only, as in the case of a conventional electric drill.

**CAUTION**

○ Do not use the Impact Drill in the IMPACT function if the material can be bored by rotation only. Such action will not only reduce drill efficiency, but may also damage the drill tip.

○ Operating the Impact Drill with the change lever in mid-position may result in damage. When switching, make sure that you shift the change lever to the correct position.

**9. High-speed/Low-speed changeover**

Prior to changing speed, ensure that the switch is in the OFF position, and the drill has come to a complete stop.

To change speed, rotate the gear shift dial as indicated by the arrow in Fig. 9. The numeral "1" engraved on the drill body denotes low speed, the numeral "2" denotes high speed.

If it is hard to turn the gear shift dial, turn the chuck slightly in either direction and then turn the gear shift dial again.

**HOW TO USE****1. Switch operation**

○ When the trigger is depressed, the tool rotates. When the trigger is released, the tool stops.

○ The rotational speed of the drill can be controlled by varying the amount that the trigger switch is pulled. Speed is low when the trigger switch is pulled slightly and increases as the trigger switch is pulled more.

○ The desired rotation speed can be pre-selected with the speed control dial.

Turn the speed control dial clockwise for higher speed and counterclockwise for lower speed. (Fig. 10)

○ Pulling the trigger and pushing the stopper, it keeps the switched-on condition which is convenient for continuous running. When switching off, the stopper can be disconnected by pulling the trigger again.

**CAUTION**

If the L-side of push button is pressed for reverse bit rotation, the stopper cannot be used.

**2. Drilling**

○ When drilling, start the drill slowly, and gradually increasing speed as you drill.

○ Always apply pressure in a straight line with the bit. Use enough pressure to keep drilling, but do not push hard enough to stall the motor or deflect the bit.

○ To minimize stalling or breaking through the material, reduce pressure on drill and ease the bit through the last part of the hole.

○ If the drill stalls, release the trigger immediately, remove the bit from the work and start again. Do not click the trigger on and off in an attempt to start a stalled drill. This can damage the drill.

○ The larger the drill bit diameter, the larger the reactive force on your arm.

Be careful not to lose control of the drill because of this reactive force.

To maintain firm control, establish a good foothold, use side handle, hold the drill tightly with both hands, and ensure that the drill is vertical to the material being drilled.

**MAINTENANCE AND INSPECTION****1. Inspecting the drill bits**

Since use of an abraded drill bits will cause motor malfunctioning and degraded efficiency, replace the drill bits with a new one or resharpening without delay when abrasion is noted.

**2. Inspecting the mounting screws**

Regularly inspect all mounting screws and ensure that they are properly tightened. Should any of the screws be loose, retighten them immediately. Failure to do so could result in serious hazard.

**3. Maintenance of the motor**

The motor unit winding is the very "heart" of the power tool. Exercise due care to ensure the winding does not become damaged and/or wet with oil or water.

#### 4. Inspecting the carbon brushes

For your continued safety and electrical shock protection, carbon brush inspection and replacement on this tool should ONLY be performed by a Hitachi Authorized Service Center.

#### 5. Service parts list

##### CAUTION

Repair, modification and inspection of Hitachi Power Tools must be carried out by a Hitachi Authorized Service Center.

This Parts List will be helpful if presented with the tool to the Hitachi Authorized Service Center when requesting repair or other maintenance.

In the operation and maintenance of power tools, the safety regulations and standards prescribed in each country must be observed.

##### MODIFICATION

Hitachi Power Tools are constantly being improved and modified to incorporate the latest technological advancements.

Accordingly, some parts may be changed without prior notice.

---

##### NOTE

Due to HITACHI's continuing program of research and development, the specifications herein are subject to change without prior notice.

---

---

---

#### Information concerning airborne noise and vibration

The measured values were determined according to EN60745.

The typical A-weighted sound pressure level: 99 dB (A).

The typical A-weighted sound power level: 110 dB (A).

Wear ear protection.

The typical weighted root mean square acceleration value: 10 m/s<sup>2</sup>.

---

---



## ALLGEMEINE VORSICHTSMASSNAHMEN

**WARNUNG!** Bei der Verwendung von Elektrowerkzeugen müssen immer die grundlegenden Vorsichtsmaßnahmen befolgt werden, um das Risiko von Feuer, elektrischem Schlag und persönlicher Verletzung und den nachfolgenden Punkten zu vermeiden.

Lesen Sie diese Anweisungen völlig, bevor Sie dieses Erzeugnis verwenden, und bewahren Sie diese Anweisungen auf.

Für sicheren Betrieb:

1. Der Arbeitsplatz sollte sauber gehalten werden. Unaufgeräumte Arbeitsplätze und Werkbänke erhöhen die Unfallgefahr.
2. Die Betriebsbedingungen beachten. Elektrowerkzeuge sollten nicht dem Regen ausgesetzt werden. Ebenfalls sollten Sie nicht an feuchten oder nassen Plätzen gebraucht werden. Der Arbeitsplatz sollte gut beleuchtet sein. Verwenden Sie Elektrowerkzeuge nicht an Orten, an denen die Gefahr von Feuer oder Explosion besteht.
3. Schutzmaß nehmen gegen elektrische Schläge treffen. Darauf achten, daß das Gehäuse nicht in Kontakt mit geerdeten Flächen kommt. (z.B. Rohre, Radiatoren, Elektroherde, Kühlschränke).
4. Kinder und gebrechliche Personen sollten vom Gerät ferngehalten werden. Andere Personen nicht mit dem Werkzeug oder dem Verlängerungskabel in Kontakt kommen lassen. Besucher sollten vom Arbeitsbereich ferngehalten werden.
5. Nicht benutzte Werkzeuge sollten sicher aufbewahrt werden. Sie sollten an einem trockenen und hochgelegenen oder verschließbaren Ort aufbewahrt werden, außerhalb der Reichweite von Kindern und gebrechlichen Personen.
6. Werkzeuge sollten nicht mit übermäßiger Gewalt verwendet werden. Ihre Leistung ist besser und sicherer, wenn sie mit der vorgeschriebenen Geschwindigkeit verwendet werden.
7. Nur die korrekten Werkzeuge verwenden. Niemals ein kleineres Werkzeug oder Zusatzgerät für Arbeiten verwenden, die Hochleistungsgeräte erfordern. Nur Werkzeuge verwenden, die dem Verwendungszweck entsprechen, d.h. niemals eine Kreissäge zum Sägen von Ästen oder Baumstämmen verwenden.
8. Die richtige Kleidung tragen. Keine lose Kleidung oder Schmuck tragen, da sich lose Kleidungsstücke in den bewegenden Teilen verfangen können. Bei Arbeiten im Freien sollten Gummihandschuhe und rutschfeste Schuhe getragen werden. Tragen Sie eine schützende Haarabdeckung, um langes Haar zurückzuhalten.
9. Es sollte eine Sicherheitsbrille getragen werden. Bei Arbeiten mit Staubeentwicklung sollte eine Gesichtsmaske oder Staubmaske getragen werden.
10. Schließen Sie eine Staubabsaugvorrichtung an. Wenn Vorrichtungen für den Anschluß von Staubabsaug- und -sammelvorrichtungen vorhanden sind, so stellen Sie sicher, daß diese angeschlossen sind und richtig verwendet werden.
11. Niemals das Kabel mißbrauchen. Ein Werkzeug niemals am Kabel tragen oder bei Abtrennung von der Steckdose das Kabel herausreißen. Das Kabel sollte gegen Hitze, Öl und scharfe Kanten geschützt werden.
12. Den Arbeitsplatz gut absichern. Zwingen oder einen Schraubstock zur Befestigung des Werkstücks verwenden. Das ist sicherer als die Benutzung der Hände und macht beide Hände zur Bedienung des Werkzeugs frei.
13. Sich niemals weit überbeugen. Immer einen festen Stand und ein sicheres Gleichgewicht bewahren.

14. Die Werkzeuge sollten sorgfältig behandelt werden. Für einen einwandfreien und sicheren Betrieb sollten sie stets scharf sein und saubergehalten werden. Die Anleitungen für Schmierung und Austausch des Zuehörns unbedingt einhalten. Die Kabel der Geräte regelmäßig überprüfen und bei Beschädigung durch eine autorisierte Kundendienststelle reparieren lassen. Ebenfalls die Verlängerungskabel regelmäßig überprüfen und bei Beschädigung auswechseln. Die Handgriffe sollten stets trocken und sauber sein, sowie keine Öl- oder Schmierfett stellen aufweisen.
15. Werkzeuge vom Netz trennen, wenn sie nicht benutzt werden, vor Wartungsarbeiten und beim Austausch von Zubehöerteilen wie z.B. Blätter, Bohrer und Messer.
16. Alle Stellkeile und Schraubenschlüssel entfernen. Vor Einschaltung des Gerätes darauf achten, daß alle Stellkeile und Schraubenschlüssel entfernt worden sind.
17. Ein unbeabsichtigtes Einschalten sollte vermieden werden. Niemals ein angeschlossenes Werkzeug mit dem Finger am Schalter tragen. Vor Anschluß überprüfen, ob das Gerät ausgeschaltet ist.
18. Im Freien ein Verlängerungskabel verwenden. Nur ein Verlängerungskabel verwenden, das für die Verwendung im Freien markiert ist.
19. Den Arbeitsvorgang immer unter Kontrolle haben. Das Gerät niemals in einem abgespannten Zustand verwenden.
20. Beschädigte Teile überprüfen. Vor Benutzung des Werkzeugs sollten beschädigte Teile oder Schutzvorrichtungen sorgfältig überprüft werden, um festzustellen, ob sie einwandfrei funktionieren und die vorgesehene Funktion erfüllen, Ausrichtung, Verbindungen sowie Anbringung sich bewegendere Teile überprüfen. Ebenfalls überprüfen, ob Teile gebrochen sind. Teile oder Schutzvorrichtungen, die beschädigt sind, sollten, wenn in dieser Bedienungsanleitung nichts anderes erwähnt ist, durch eine autorisierte Kundendienststelle ausgetauscht oder repariert werden. Dasselbe gilt für defekte Schalter. Wenn sich das Werkzeug nicht mit dem Schalter einoder ausschalten läßt, sollte das Werkzeug nicht verwendet werden.
21. Warnung Die Verwendung von anderem Zubehör oder anderen Zusätzen als in dieser Bedienungsanleitung empfohlen kann das Risiko einer Körperverletzung einschließen.
22. Lassen Sie Ihr Werkzeug durch qualifiziertes Personal reparieren. Dieses Elektrowerkzeug entspricht den zutreffenden Sicherheitsanforderungen. Reparaturen sollten nur von qualifiziertem Personal unter Verwendung von Originalersatzteilen durchgeführt werden, da sonst beträchtliche Gefahr für den Benutzer auftreten kann.

## VORSICHTSMASSNAHMEN FÜR DIE BENUTZUNG DER SCHLAGBOHRMASCHINE

1. Bevor man in Wände, in Decken oder Boden bohrt, muß man sich davon überzeugen, daß keine elektrischen Kabel oder Kabelrohre darunter liegen.
2. Benutzen Sie immer den seitlichen Griff und halten Sie das Werkzeug mit beiden Händen gut fest.
3. Immer den Schlagbohrschrauber im Uhrzeigersinn betätigen, wenn er als Stoßbohrer gebraucht wird. (Abb. 11)

## TECHNISCHE DATEN

Spannung (je nach Gebiet)*		(110V, 220V, 230V, 240V) ~	
Leistungsaufnahme		790 W*	
Geschwindigkeitsstufen		1	2
Leerlaufdrehzahl	Vorwärtsdrehung	0 – 1000 min <sup>-1</sup>	0 – 3000 min <sup>-1</sup>
	Rückwärtsdrehung	0 – 600 min <sup>-1</sup>	0 – 1800 min <sup>-1</sup>
Kapazität	Stahl	13 mm	8 mm
	Beton	20 mm	13 mm
	Holz	40 mm	25 mm
Vollastschlagzahl		8000 min <sup>-1</sup>	26000 min <sup>-1</sup>
Gewicht (ohne Kabel)		2,2 kg	

\* Vergessen Sie nicht, die Produktangaben auf dem Typenschild zu überprüfen, da sich diese je nach Verkaufsgebiet ändern.

## STANDARDZUBEHÖR

- (1) Bohrfutterschlüssel (Spez. nur für Zahnkranz-Bohrfutter) ..... 1  
 (2) Handgriff ..... 1  
 (3) Tiefenlehre ..... 1  
 Das Standardzubehör kann ohne vorherige Bekanntmachung jederzeit geändert werden.

## SONDERZUBEHÖR (separat zu beziehen)

- (1) Schlagbohrer (für Beton)  
 3,2 mm bis 20 mm Durchmesser  
 Das sonderzubehör kann ohne vorherige Bekanntmachung jederzeit geändert werden.

## ANWENDUNGEN

- Kombierter Betrieb von DREHUNG und STOSS:  
Bohren von Löchern in harten Flächen (Beton, Marmor, Granit, Kachel, etc.)
- Betrieb durch einfache DREHUNG:  
Bohren von Löchern in Metall, Holz und plastisches Material.

## VOR INBETRIEBNAHME

1. **Netzspannung**  
Prüfen, daß die zu verwendende Netzspannung der Angabe auf dem Typenschild entspricht.
2. **Netzschalter**  
Prüfen, daß der Netzschalter auf "AUS" steht. Wenn der Stecker an das Netz angeschlossen ist, Während der Schalter auf "EIN" steht, beginnt das Werkzeug sofort zu laufen und bedeutet ernsthafte Gefahr.
3. **Verlängerungskabel**  
Wenn der Arbeitsbereich nicht in der Nähe des Netzanschlusses liegt, ist ein Verlängerungskabel ausreichenden Querschnitts und ausreichender Nennleistung zu verwenden. Das Verlängerungskabel sollte so kurz wie möglich gehalten werden.
4. **Wahl das geeigneten Bohrers**  
○ Beim Bohren von Beton oder Stein  
Die unter Sonderzubehör aufgeführten Bohrer verwenden.

- Beim Bohren von Metall oder Kunststoff  
Einen normalen Metallbohrer verwenden.
- Beim Bohren von Holz  
Einen normalen Holzspiralbohrer verwenden. Für Löcher von 6,5 mm oder kleiner wird ein Metallbohrer verwendet.

### 5. Anbringen und Abnehmen der Werkzeugspitze

#### Für Zahnkranz-Bohrfutter (Abb. 1)

- (1) Öffnen Sie die Spannbacken des Futters und schieben Sie den Bohrer in das Futter.
- (2) Schieben Sie den Futterschlüssel in jedes der drei Löcher des Spannftters ein und drehen Sie den Schlüssel im Uhrzeigersinn (von der Vorderseite her gesehen). Ziehen Sie fest an.
- (3) Schieben Sie zum Entfernen des Bohrers den Futterschlüssel in eins der Löcher des Spannftters und drehen Sie ihn gegen den Uhrzeigersinn.

#### Für ein schlüsselfreies Spannftter

Das Verwendungsland ist entscheidend dafür, ob Typ A oder Typ B des schlüsselfreien Futters verwendet wird.

- Typ A (Abb. 2)
- (1) Anbringen des Bohrers  
Den Verriegelungsband in Richtung "AUF" drehen und das Futter öffnen. Den Bohrer bis zum Anschlag in das Futter schieben und den Verriegelungsband in Richtung "ZU" drehen. Den Ring fassen und das Futter durch Drehen der Futterbuchse von vorne gesehen im Uhrzeigersinn schließen.
- (2) Entfernen des Bohrers  
Den Verriegelungsband in Richtung "AUF" drehen, um die Spannftterkraft freizugeben. Den Ring fassen und das Futter durch Drehen der Futterbuchse gegen den Uhrzeigersinn öffnen.

### HINWEIS

Wenn sich die Buchse nicht weiter lockern läßt, so fixieren Sie den Seitengriff am Ring, halten Sie den Seitengriff fest, und drehen Sie dann die Buchse, um sie von Hand zu lösen. (Abb. 4)

- Typ B (Abb. 3)
- (1) Anbringen des Bohrers  
Die Futterbuchse gegen den Uhrzeigersinn drehen und das Futter öffnen. Den Bohrer bis zum Anschlag in das Futter schieben, den Ring fassen und das Futter durch Drehen der Futterbuchse von vorne gesehen im Uhrzeigersinn schließen.

- (2) Entfernen des Bohrers  
Den Ring fassen und das Futter durch Drehen der Futterbuchse gegen den Uhrzeigersinn öffnen.

#### HINWEIS

Wenn sich die Futterbuchse nicht weiter lockern läßt, so fixieren Sie den Seitengriff am Ring, halten Sie den Seitengriff fest, und drehen Sie dann die Futterbuchse, um sie von Hand zu lösen. (Abb. 4)

#### 6. Überprüfen der Drehrichtung (Abb. 5)

Der Bohrer dreht sich im Uhrzeigersinn (gesehen von hinten), Wenn die R-Seite des Druckknopfs gedrückt wird. Wenn die L-Seite des Bohrers gedrückt wird, dreht sich der Bohrer gegen den Uhrzeigersinn. (Die Markierungen (L) und (R) befinden sich auf dem Körper der Bohrmaschine.)

#### VORSICHT

Immer den Schlagbohrschrauber im Uhrzeigersinn betätigen, wenn er als Stoßbohrer gebraucht wird.

#### 7. Anbringen des Handgriffes (Abb. 6)

Den Handgriff an der Halterung anbringen. Den Griff des Handgriffs zum Befestigen im Uhrzeigersinn drehen.

Den Handgriff in eine Position stellen, die der Bedienung angemessen ist, und dann den Handgriff sicher befestigen. Zum Anbringen des Tiefenanschlags am Handgriff die Anschlagstange in die U-förmige Rille des Handgriffs einsetzen, den Tiefenanschlag auf die gewünschte Lochtiefe einstellen und den Seitenhandgriff fest anziehen. (Abb. 7)

#### 8. Umstellung von SCHLAGBOHREFUNKTION auf BOHREN (Abb. 8)

Den Umschalthebel zwischen der rechten und der linken Position umschalten, um zwischen IMPACT (Schlagen und Drehen) und ROTATION (nur Drehen) umzuschalten.

Zum Bohren von Löchern in harten Materialien wie Beton oder Dachziegeln den Umschalthebel zur rechten Position (wie durch die Markierung **T** angezeigt) umschalten. Der Bohrer führt dann Schlagbohren durch eine Kombination von Schlag und Drehen durch.

Zum Bohren von Löchern in Metall, Holz oder Plastik den Umschalthebel zur linken Position (wie durch die Markierung **I** angezeigt) umschalten. Der Bohrer arbeitet dann wie ein herkömmlicher Elektrobohrer nur durch Drehung.

#### VORSICHT

- Den Schlagbohrer nicht mit der Schlagbohrfunktion verwenden, wenn sich das Material in reiner Bohrfunktion bohren läßt. Dadurch wird nicht nur die Leistung des Bohrers vermindert, sondern es kann auch die Bohrspitze beschädigt werden.
  - Betrieb des Schlagbohrers mit dem Umschalthebel in mittlerer Stellung kann Beschädigung verursachen. Beim Umschalten immer sicherstellen, dass der Umschalthebel in die richtige Position geschaltet wird.
9. Umschalten von hoher Drehzahl auf niedrige Drehzahl:  
Vor der Veränderung der Drehzahl muß man sich überzeugen, daß der Schalter auf "AUS" steht und sich der Bohrer nicht mehr bewegt.

Die Gangschaltschiebe drehen. Zum Umschalten wird der Umschaltfesteller eingedrückt und die gewünschte Richtung geschoben, wie in **Abb. 9** durch den Pfeil angegeben ist. Die auf dem Gehäuse eingeprägte Ziffer "1" bedeutet niedrige Drehzahl, die Ziffer "2" bedeutet hohe Drehzahl.

Wenn sich die Gangschaltscheibe nur schwer drehen läßt, drehen Sie das Bohrfutter ein wenig hin und her und betätigen die Gangschaltscheibe danach erneut.

## VERWENDUNG

### 1. Schalterbetätigung

- Wenn der Abzugschalter durchgedrückt wird, dreht sich das Werkzeug. Wenn der Abzugschalter losgelassen wird, hält das Werkzeug an.
- Die Drehzahl des Bohrers kann durch entsprechendes Durchziehen des Abzugschalters geregelt werden. Wenn der Abzugschalter nur leicht durchgedrückt wird, ist die Drehzahl niedrig, und sie nimmt zu, wenn der Abzugschalter stärker durchgedrückt wird.
- Die gewünschte Drehzahl kann mit der Drehzahlkala voreingestellt werden. Drehen Sie die Drehzahlkala im Uhrzeigersinn für eine höhere Drehzahl und gegen den Uhrzeigersinn für eine niedrigere Drehzahl. (Abb. 10)
- Wenn der Abzugschalter durchgedrückt und der Stopper gedrückt wird, bleibt die Maschine eingeschaltet, was angenehm für kontinuierliche Verwendung ist. Zum Ausschalten kann der Stopper durch erneutes Durchdrücken des Abzugschalters freigegeben werden.

### VORSICHT

Wenn die L-Seite des Druckknopfes für Rückwärts-Bitdrehung gedrückt ist, kann der Stopper nicht verwendet werden.

### 2. Bohren

- Starten Sie zum Bohren die Bohrmaschine langsam und erhöhen Sie die Drehzahl beim Bohren.
- Drücken Sie immer in einer geraden Linie mit dem Bohrer. Drücken Sie mit ausreichender Kraft, um weiter zu Bohren, aber nicht so stark, daß der Motor anhält oder der Bohrer abgelenkt wird.
- Verringern Sie am Ende des Loches den Druck auf den Bohrer und leiten Sie den Bohrer vorsichtig durch den letzten Teil des Loches, um Stehenbleiben oder Durchbrechen durch das Material zu vermeiden.
- Wenn der Bohrer stehenbleibt, so lassen Sie sofort den Abzugschalter los, ziehen Sie den Bohrer aus dem Loch, und beginnen Sie erneut. Ziehen Sie nicht den Abzugschalter wiederholt durch, um einen stehengebliebenen Bohrer zu starten. Dies kann den Bohrer beschädigen.
- Je größer der Durchmesser des Bohrers ist, um so stärker ist die Reaktionskraft auf Ihren Arm. Achten Sie darauf, durch die Reaktionskraft nicht die Kontrolle über die Bohrmaschine zu verlieren. Stellen Sie sich für sichere Kontrolle des Bohrers sicher hin, verwenden Sie den Seitengriff, halten Sie die Bohrmaschine mit beiden Händen fest, und stellen Sie sicher, daß der Bohrer senkrecht zum zu bohrenden Material steht.

---

## WARTUNG UND INSPEKTION

---

### 1. Inspektion der Bohrer

Da ein abgenutzter Bohrer Fehlfunktion des Motors und verringerte Wirksamkeit verursacht, sollten Sie die Bohrer sofort schärfen durch neue ersetzen, wenn Verschleiß festgestellt wird.

### 2. Inspektion der Befestigungsschraube

Alle Befestigungsschrauben werden regelmäßig inspiziert und geprüft, daß sie richtig angezogen sind. Wenn sich eine der Schrauben lockert, muß sie sofort wieder angezogen werden. Geschieht das nicht, kann das zu erheblicher Gefahr führen.

### 3. Wartung des Motors

Die Motorwicklung ist das "Herz" des Elektrowerkzeugs. Daher ist besonders sorgfältig darauf zu achten, daß die Wicklung nicht beschädigt und/oder mit Öl oder Wasser benetzt wird.

### 4. Inspektion der Kohlebürsten

Zur Erhaltung Ihrer Sicherheit und des Schutzes gegen elektrischen Schlag sollten Inspektion und Auswechseln der Kohlebürsten NUR durch ein Autorisiertes Hitachi-Wartungszentrum durchgeführt werden.

### 5. Liste der Wartungsteile

#### ACHTUNG

Reparatur, Modifikation und Inspektion von Hitachi-Elektrowerkzeugen müssen durch ein Autorisiertes Hitachi-Wartungszentrum durchgeführt werden.

Diese Teilleiste ist hilfreich, wenn sie dem Autorisierten Hitachi-Wartungszentrum zusammen mit dem Werkzeug für Reparatur oder Wartung ausgehändigt wird.

Bei Betrieb und Wartung von Elektrowerkzeugen müssen die Sicherheitsvorschriften und Normen beachtet werden.

#### MODIFIKATIONEN

Hitachi-Elektrowerkzeuge werden fortwährend verbessert und modifiziert, um die neuesten technischen Fortschritte einzubauen.

Dementsprechend ist es möglich, daß einige Teile ohne vorherige Benachrichtigung geändert werden.

---

#### HINWEIS

Aufgrund des ständigen Forschungs - und Entwicklungsprogramms von HITACHI sind Änderungen der hierin gemachten technischen Angaben vorbehalten.

---

#### Information über Betriebslärm und Vibration

Die Meßwerte wurden entsprechend EN60745 bestimmt.

Der typische A-gewichtete Schalldruck ist 99 dB (A).  
Der typische A-gewichtete Schalleistungspegel ist 110 dB (A).

Bei der Arbeit immer einen Ohrenschutz tragen.

Der typische gewogene quadratische Mittelwert für die Beschleunigung ist 10 m/s<sup>2</sup>.

---

---

## ΓΕΝΙΚΑ ΜΕΤΡΑ ΑΣΦΑΛΕΙΑΣ ΚΑΤΑ ΤΗ ΛΕΙΤΟΥΡΓΙΑ

**ΚΙΝΔΥΝΟΣ!** Κατά τη χρήση ηλεκτρικών εργαλείων, τα βασικά μέτρα ασφαλείας πρέπει πάντοτε να ακολουθούνται για την ελάττωση του κινδύνου της πυρκαγιάς, της ηλεκτροπληξίας και του ατομικού τραυματισμού, συμπεριλαμβανομένων των παρακάτω. Διαβάστε όλες αυτές τις οδηγίες πριν θέσετε σε λειτουργία αυτό το προϊόν και φυλάξτε αυτές τις οδηγίες.

Για ασφαλείς λειτουργίες:

1. Διατηρήστε τον χώρο εργασίας καθαρό. Οι ακατάστατοι χώροι και πάγκοι εργασίας έχουν την τάση να προκαλούν τραυματισμούς.
2. Λάβετε υπόψη τον περιβάλλον εργασίας. Μην εκθέσετε τα ηλεκτρικά εργαλεία στη βροχή. Μην χρησιμοποιήσετε ηλεκτρικά εργαλεία σε υψιστεγνές ή υγρές περιοχές. Κρατήστε το χώρο εργασίας καλά φωτισμένο. Μην χρησιμοποιήσετε τα ηλεκτρικά εργαλεία σε χώρο όπου υπάρχει κίνδυνος φωτιάς ή έκρηξης.
3. Φυλάξτε ενάντια στην ηλεκτροπληξία. Αποφύγετε την σωματική επαφή με γειωμένες επιφάνειες. (π.χ. σωλήνες, θερμάστρες, μαγειρικές συσκευές, ψυγεία).
4. Κρατήστε τα παιδιά και τους σωματικά καταβεβλημένους ανθρώπους μακριά. Μην αφήνεται τους επισκέπτες να αγγίζουν το εργαλείο ή το καλώδιο προέκτασης. Όλοι οι επισκέπτες πρέπει να κρατούνται μακριά από το χώρο εργασίας.
5. Αποθηκεύστε τα εργαλεία που δεν βρίσκονται σε λειτουργία. Όταν δεν χρησιμοποιούνται τα εργαλεία πρέπει να αποθηκεύονται σε ένα χώρο που είναι στεγνός, βρίσκεται σε μια ψηλή θέση ή είναι κλειδωμένος, μακριά από την πρόσβαση των παιδιών και των σωματικά καταβεβλημένων ανθρώπων.
6. Μην ασκήσετε βία στο εργαλείο. Θα πραγματοποιήσει την εργασία καλύτερα και με μεγαλύτερη ασφάλεια στο ρυθμό για τον οποίο σχεδιάστηκε.
7. Χρησιμοποιήστε το κατάλληλο εργαλείο. Μην προσπαθήσετε βία με μικρά εργαλεία ή προσαρτήματα να κάνετε τη δουλειά ενός εργαλείου σχεδιασμένου για βαριές δουλειές. Μην χρησιμοποιήσετε εργαλεία για δουλειές για τις οποίες δεν προορίζονται. Για παράδειγμα μην χρησιμοποιήσετε ένα κόφτη για να κόψετε κλαδιά δέντρου ή κούτσουρα.
8. Ντυθείτε κατάλληλα. Μην φοράτε φαρδιά ρούχα ή κοσμήματα, αυτά μπορούν να πιαστούν στα μετακινούμενα μέρη. Λαστιχένια γάντια και μη ολισθηρά υποδήματα συνιστώνται όταν εργάζεστε σε εξωτερικούς χώρους. Φορέστε ένα προστατευτικό κάλυμμα μαλλιών για να καλύψετε τα μακριά μαλλιά.
9. Χρησιμοποιήστε προστατευτικό ματιών. Επίσης χρησιμοποιήστε μάσκα προσώπου ή σκόνης αν η εργασία της κοπής θα προκαλέσει σκόνη.
10. Συνδέστε ένα εξάρτημα εξαγωγής σκόνης. Αν παρέχονται εξαρτήματα για την σύνδεση των συσκευών εξαγωγής και συλλογής σκόνης σιγουρευτείτε ότι αυτά είναι συνδεδεμένα και ότι χρησιμοποιούνται κατάλληλα.
11. Μην χρησιμοποιήσετε βία στο καλώδιο. Ποτέ μη μεταφέρετε το εργαλείο από το καλώδιο ή το τραβήξετε απότομα για να το αποσυνδέσετε από την υποδοχή. Κρατήστε το καλώδιο μακριά από θερμότητα, λάδι, και κοφτερές γωνίες.

12. Σιγουρευτείτε το αντικείμενο εργασίας σας. Χρησιμοποιήστε φινιγκήρες ή μια μέγερνη για το κράτημα του αντικειμένου πάνω στο οποίο εργάζεστε. Είναι πιο ασφαλές από το να χρησιμοποιείτε το χέρι σας και επιπρόσθετα ελευθερώνει και τα δύο χέρια για να λειτουργήσετε το εργαλείο.
13. Μην προεκτείνετε. Διατηρήστε πάντοτε το κατάλληλο πάτημα και ισορροπία.
14. Συντηρείτε τα εργαλεία με προσοχή. Διατηρείτε τα εργαλεία που κόβουν αιχμηρά και καθαρά για καλύτερη και ασφαλέστερη απόδοση. Ακολουθήστε τις οδηγίες για τη λίπανση και την αλλαγή εξαρτημάτων. Ελέγχετε τα καλώδια των εργαλείων περιοδικά αν έχουν πάθει ζημιά, επισκευάστε τα σε ένα εξουσιοδοτημένο κέντρο επισκευής. Ελέγχετε τα καλώδια περιοδικά και αντικαταστήστε τα αν έχουν πάθει ζημιά. Κρατήστε τις λαβές στεγνές, καθαρές, χωρίς να έχουν λάδι και γράσο.
15. Αποσυνδέστε τα εργαλεία. Όταν δεν χρησιμοποιούνται, πριν από το σέρβις και κατά την αλλαγή εξαρτημάτων όπως λεπίδες, ακίδες, και κόφτες.
16. Αφαιρέστε τα κλειδιά ρυθμιζόμενου ανοίγματος και τα απλά κλειδιά. Έχετε την συνήθεια να ελέγχετε να δείτε αν τα απλά κλειδιά και τα κλειδιά ρυθμιζόμενου ανοίγματος έχουν αφαιρεθεί από το εργαλείο πριν το βάλετε να δουλέψει.
17. Αποφύγετε την άσκοπη εκκίνηση. Μην μεταφέρετε ένα συνδεδεμένο στην μπρίζα εργαλείο με τη σκανδάλη στο χέρι. Βεβαιωθείτε ότι ο διακόπτης είναι κλειστός όταν βάζετε το εργαλείο στη μπρίζα.
18. Χρησιμοποιήστε καλώδια προέκτασης για χρήση σε εξωτερικό χώρο. Όταν το εργαλείο χρησιμοποιείται σε εξωτερικό χώρο χρησιμοποιήστε καλώδια προέκτασης που προορίζονται για χρήση στον εξωτερικό χώρο.
19. Να είστε σε ειμότητα. Βλέπετε τι κάνετε. Χρησιμοποιήστε τη κοινή λογική. Μην λειτουργείτε το εργαλείο όταν είστε κουρασμένοι.
20. Ελέγξτε τα κατεστραμμένα τμήματα. Πριν την παραπέρα χρήση του εργαλείου, ο προφυλακτήρας ή το οποιοδήποτε κομμάτι που έχει πάθει ζημιά πρέπει να ελεγχθεί προσεκτικά για να διαπιστωθεί ότι θα λειτουργήσει κανονικά και θα εκτελέσει την λειτουργία για την οποία προορίζεται. Ελέγξτε την ελαστικότητα των κινούμενων τμημάτων, την ελεύθερη κίνηση των κινούμενων τμημάτων, το σπάσιμο των τμημάτων, την στερωσή και τις οποιοδήποτε άλλες καταστάσεις που ενδέχεται να επηρεάζουν την λειτουργία του. Ο προφυλακτήρας ή οποιοδήποτε άλλο τμήμα που έχει πάθει ζημιά θα πρέπει να διορθωθεί κατάλληλα ή να αντικατασταθεί από ένα εξουσιοδοτημένο για σέρβις κέντρο εκτός και αν υπάρχει ένδειξη για κάτι άλλο σε αυτές τις οδηγίες χειρισμού. Αντικαταστήστε τους ελαττωματικούς διακόπτες από ένα εξουσιοδοτημένο για σέρβις κέντρο. Μην χρησιμοποιήσετε το εργαλείο αν ο διακόπτης δεν το βάζει σε εκκίνηση και δεν το κλείνει.
21. Κίνδυνος  
Η χρήση οποιονδήποτε εξαρτημάτων ή προσαρτημάτων εκτός από αυτά που συνιστώνται σε αυτές τις οδηγίες χειρισμού, μπορεί να προκαλέσει τον κίνδυνο προσωπικού τραυματισμού.
22. Επισκευάστε το εργαλείο σας σε ένα έμπειρο πρόσωπο. Αυτό το ηλεκτρικό εργαλείο είναι εναρμονισμένο με τους σχετικούς κανόνες ασφαλείας. Η επισκευή θα πρέπει να γίνεται μόνον από έμπειρα άτομα που χρησιμοποιούν αυθεντικά ανταλλακτικά. Διαφορετικά μπορεί να προκληθεί σημαντικός κίνδυνος για τον χρήστη.

## ΠΡΟΦΥΛΑΚΤΙΚΑ ΜΕΤΡΑ ΓΙΑ ΤΗΝ ΧΡΗΣΗ ΤΟΥ ΚΡΟΥΣΤΙΚΟΥ ΔΡΑΠΑΝΟΥ

1. Πριν το άνοιγμα τρύπας πάνω σε τοίχους, οροφές ή δάπεδα, βεβαιωθείτε ότι δεν υπάρχουν κρυμμένα μέσα ηλεκτρικά καλώδια.

## ΤΕΧΝΙΚΑ ΧΑΡΑΚΤΗΡΙΣΤΙΚΑ

Τάση (ανά περιοχές)*	(110V, 220V, 230V, 240V) ~	
Ισχύς εισόδου	790 W*	
Αλλαγή ταχύτητας	1	2
Ταχύτητα χωρίς φορτίο	Εμπρόσθια περιστροφή	0 – 1000 min <sup>-1</sup>
	Αντίστροφη περιστροφή	0 – 600 min <sup>-1</sup>
Ικανότητα	Ατσάλι	13 mm
	Τσιμέντο	20 mm
	Ξύλο	40 mm
Ταχύτητα κρούσης πλήρους φορτίου	8000 min <sup>-1</sup>	26000 min <sup>-1</sup>
Βάρος (χωρίς καλώδιο)	2,2 kg	

\* Βεβαιωθείτε να ελέγξετε την πινακίδα στο προϊόν επειδή υπόκεινται σε αλλαγή σε εξάρτηση από την περιοχή.

## ΚΑΝΟΝΙΚΑ ΕΞΑΡΤΗΜΑΤΑ

- (1) Κλειδί Σφικτήρα (Αποκλειστικά για συντονισμένο σφικτήρα) ..... 1
  - (2) Πλευρική λαβή ..... 1
  - (3) Μετρητής βάθους ..... 1
- Τα κανονικά εξαρτήματα μπορούν να αλλάξουν χωρίς προειδοποίηση.

## ΠΡΟΑΙΡΕΤΙΚΑ ΕΞΑΡΤΗΜΑΤΑ (πωλούνται ξεχωριστά)

- (1) Λεπίδα Κρουστικού Δραπάνου (για τσιμέντο)  
3,2 mm – 20 mm διαμ.
- Τα προαιρετικά εξαρτήματα υπόκεινται σε αλλαγή χωρίς προειδοποίηση.

## ΕΦΑΡΜΟΓΕΣ

- Με τον συνδυασμό των δράσεων ΠΕΡΙΣΤΡΟΦΗ και ΚΡΟΥΣΗ: Άνοιγμα τρύπας σε σκληρά υλικά (τσιμέντο, μάρμαρο, γρανίτη, πλακάκια, κλπ.)
- Με ΠΕΡΙΣΤΡΟΦΙΚΗ δράση:  
Άνοιγμα τρυπών σε μέταλλο, ξύλο και πλαστικό.

## ΠΡΙΝ ΤΗ ΛΕΙΤΟΥΡΓΙΑ

- 1. Πηγή ρεύματος**  
Βεβαιωθείτε ότι η πηγή ρεύματος που πρόκειται να χρησιμοποιηθεί είναι εναρμονισμένη με τις απαιτήσεις σε ρεύμα που αναφέρεται στην πινακίδα του εργαλείου.
- 2. Διακόπτης ρεύματος**  
Βεβαιωθείτε ότι ο διακόπτης ρεύματος βρίσκεται στη θέση OFF. Αν το βίσμα είναι στη μπρίζα καθώς ο διακόπτης ρεύματος βρίσκεται στο ON, το εργαλείο θα αρχίσει να λειτουργεί αμέσως, με πιθανότητα πρόκλησης σοβαρού ατυχήματος.

2. Χρησιμοποιείτε πάντα την πλευρική λαβή και κρατάτε το εργαλείο σταθερά και με τα δυο χέρια.
3. Πάντοτε να χρησιμοποιείτε το κρουστικό δράπανο με περιστροφή προς τα δεξιά, όταν το χρησιμοποιείτε σαν κρουστικό δράπανο. (Εικ. 11)

### 3. Καλώδιο προέκτασης

Όταν ο χώρος εργασίας βρίσκεται μακριά από την παροχή ρεύματος, χρησιμοποιήστε ένα καλώδιο προέκτασης με κατάλληλο πάχος και ικανότητα μεταφοράς ρεύματος. Το καλώδιο προέκτασης πρέπει να είναι τόσο κοντό όσο είναι πρακτικά δυνατό.

### 4. Επιλογή της κατάλληλης λεπίδας τρυπανιού

- Όταν τρυπάτε τσιμέντο ή πέτρα  
Χρησιμοποιήστε τις λεπίδες που περιγράφονται στα Προαιρετικά Εξαρτήματα.
- Όταν τρυπάτε ξύλο  
Χρησιμοποιήστε μια λεπίδα τρυπανιού κατάλληλη για ξύλο.
- Όμως, όταν ανοίγετε τρύπες 6.5 mm ή μικρότερες τρύπες, χρησιμοποιήστε μια λεπίδα τρυπανιού που είναι κατάλληλη για μέταλλο.

### 5. Σύνδεση και αποσύνδεση της λεπίδας

#### Για συντονισμένο σφικτήρα (Εικ. 1)

- (1) Ανοίξτε τις αρπάγες του σφικτήρα, και βάλτε μέσα τη λεπίδα στο σφικτήρα.
- (2) Τοποθετήστε το κλειδί του σφικτήρα μέσα σε κάθε μια από τις τρεις τρύπες του σφικτήρα και περιστρέψτε το προς τα δεξιά (όψη από την μπροστινή πλευρά). Σφίξτε με ασφάλεια.
- (3) Για να αφαιρέσετε τη λεπίδα, τοποθετήστε το κλειδί του σφικτήρα μέσα σε μια από τις τρύπες του σφικτήρα και περιστρέψτε το προς τα αριστερά.

#### Για σφικτήρες χωρίς κλειδί

Η χώρα στην οποία γίνεται η χρήση θα καθορίσει αν απαιτείται ο Τύπος Α ή ο Τύπος Β του σφικτήρα που λειτουργεί χωρίς κλειδί.

- Τύπος Α (Εικ. 2)
- (1) Στερέωση της λεπίδας  
Στρέψτε το κολάρο ασφαλείας προς την κατεύθυνση "AUF" και ανοίξτε τον σφικτήρα. Μετά την Τοποθέτηση της λεπίδας τρυπανιού μέσα στο σφικτήρα όσο μπορεί να εισχωρήσει περισσότερο,



περιστρέψετε το κολάρο ασφαλείας προς την διεύθυνση “ZU”. Πιάστε το δακτύλιο και κλείστε το σφικτήρα περιστρέφοντας το βραχίονα προς τα δεξιά όπως φαίνεται από την μπροστινή όψη.

(2) Αποσύνδεση της λεπίδας

Στρέψτε το κολάρο ασφαλείας προς στην κατεύθυνση “AUF” και εξαλείψετε την δύναμη σφίξης. Πιάστε το δακτύλιο και ανοίξτε το σφικτήρα περιστρέφοντας το βραχίονα προς τα αριστερά.

**ΣΗΜΕΙΩΣΗ**

Όταν ο βραχίονας δεν ξεσφίγγει περισσότερο, στερεώστε τη πλευρική λαβή στο δακτύλιο, κρατήστε την πλευρική λαβή γερά, μετά στρέψτε το βραχίονα για να τον χαλαρώσετε με το χέρι. (Εικ. 4)

○ Τύπος Β (Εικ. 3)

(1) Στερέωση της λεπίδας

Στέψτε το βραχίονα προς τα αριστερά και ανοίξτε το σφικτήρα. Αφότου εισχωρήσετε την λεπίδα του τρυπανιού μέσα στον σφικτήρα όσο μέσα μπορεί να πάει, πιάστε το δακτύλιο και κλείστε το σφικτήρα περιστρέφοντας τον βραχίονα προς τα δεξιά όπως φαίνεται από εμπρός.

(2) Αποσυρμαολόγηση της λεπίδας

Πιάστε τον δακτύλιο και ανοίξτε τον σφικτήρα περιστρέφοντας τον βραχίονα προς τα αριστερά.

**ΣΗΜΕΙΩΣΗ**

Όταν ο σφικτήρας δεν χαλαρώνει περισσότερο, στερεώστε την πλευρική λαβή στον δακτύλιο, κρατήστε την πλευρική λαβή γερά, μετά περιστρέψτε τον βραχίονα για να ξεσφίξει με το χέρι. (Εικ. 4)

**6. Ελέγξτε την περιστροφική διεύθυνση (Εικ. 5)**

Η λεπίδα περιστρέφεται προς τα δεξιά (όψη από την πίσω πλευρά) πατώντας την R-πλευρά του κουμπιού. Η L-πλευρά του κουμπιού πατιέται για να περιστραφεί η λεπίδα προς τα αριστερά. (Τα σημάδια (L) και (R) παρέχονται πάνω στο σώμα.)

**ΠΡΟΣΟΧΗ**

Πάντοτε να χρησιμοποιείτε το κρουστικό δράπανο με περιστροφή προς τα δεξιά, όταν το χρησιμοποιείτε σαν κρουστικό δράπανο.

**7. Στερέωση της πλευρικής λαβής (Εικ. 6)**

Συνδέστε την πλευρική λαβή στο τμήμα στερέωσης. Περιστρέψτε το χερούλι της πλευρικής λαβής προς τα δεξιά για να το ασφαλίσετε.

Τοποθετήστε την πλευρική λαβή σε τέτοια θέση έτσι ώστε να είναι κατάλληλη για λειτουργία και μετά σφίξτε γερά το χερούλι της πλευρικής λαβής. Για συνδέσετε το μετρητή βάθους στην πλευρική λαβή, βάλτε τον μετρητή μέσα στην αυλάκωση της πλευρικής λαβής που έχει σχήμα U, ρυθμίστε την θέση του μετρητή βάθους σύμφωνα με το επιθυμητό βάθος της τρύπας, και γερά σφίξτε το χερούλι της πλευρικής λαβής. (Εικ. 7)

**8. Αλλαγή από την ΚΡΟΥΣΗ στη ΠΕΡΙΣΤΡΟΦΗ (Εικ. 8)**

Μετακινήστε το μοχλό αλλαγής μεταξύ των αριστερών και δεξιών θέσεων για την εύκολη αλλαγή μεταξύ IMPACT (περιστροφή και κρούση) και ROTATION (περιστροφή μόνο), αντίστοιχα.

Για την διάνοιξη τρυπών σε σκληρά υλικά όπως τοιμάντο, πέτρα και πλακάκια, μετακινήστε τον μοχλό αλλαγής στην δεξιά θέση (όπως υποδεικνύεται με το T σημάδι). Η λεπίδα τρυπανιού λειτουργεί με το

συνδυασμό των δράσεων της κρούσης και της περιστροφής.

Για την διάνοιξη τρυπών σε μέταλλο, ξύλο και πλαστικό, μετακινήστε τον μοχλό στην αριστερή θέση (όπως υποδεικνύεται με το S σημάδι). Η λεπίδα τρυπανιού λειτουργεί με την περιστροφική δράση μόνο, όπως στην περίπτωση του συμβατικού ηλεκτρικού τρυπανιού.

**ΠΡΟΣΟΧΗ**

○ Μην χρησιμοποιήσετε το Κρουστικό Δράπανο στη λειτουργία ΚΡΟΥΣΗ αν το υλικό μπορεί να τρυπηθεί μόνο με την περιστροφή. Τέτοια ενέργεια όχι μόνο θα ελαττώσει την αποδοτικότητα του τρυπανιού, αλλά επίσης θα προκαλέσει ζημιά στην άκρη της λεπίδας.

○ Η χρήση του Κρουστικού Δραπάνου με τον μοχλό αλλαγής στην ενδιάμεση θέση μπορεί να προκαλέσει ζημιά. Κατά την αλλαγή, σιγουρευτείτε ότι μετακινείτε τον μοχλό αλλαγής στην σωστή θέση.

**9. Αλλαγή από Υψηλή ταχύτητα σε Χαμηλή ταχύτητα**

Πριν την αλλαγή της ταχύτητας, εξασφαλίστε ότι ο διακόπτης είναι στην καλύτερη θέση OFF, και ότι το τρυπάνι είναι εντελώς σταματημένο.

Για να αλλάξετε ταχύτητα, περιστρέψτε το καντράν αλλαγής ταχύτητας όπως υποδεικνύεται από το βέλος στην Εικ. 9. Ο αριθμός “1” που είναι σκαλισμένος στο κορμό του τρυπανιού δείχνει την χαμηλή ταχύτητα, ο αριθμός “2” δείχνει την υψηλή ταχύτητα.

Σε περίπτωση που είναι δύσκολο να γυρίσετε το καντράν αλλαγής ταχύτητας, γυρίστε το σφικτήρα ελαφρά προς οποιαδήποτε κατεύθυνση και κατόπιν ξανά το καντράν αλλαγής ταχύτητα.

**ΠΩΣ ΝΑ ΤΟ ΧΡΗΣΙΜΟΠΟΙΗΣΕΤΕ**

**1. Λειτουργία διακόπτη**

○ Όταν η σκανδάλη είναι χαμηλωμένη, το εργαλείο περιστρέφεται.

○ Όταν η σκανδάλη ελευθερωθεί το εργαλείο σταματά.

○ Η ταχύτητα περιστροφής του δραπάνου μπορεί να ελεγχθεί από το κατά πόσο τραβιέται η σκανδάλη διακόπτης. Η ταχύτητα είναι χαμηλή όταν η σκανδάλη διακόπτης τραβηχθεί ελαφρά και αυξάνει καθώς η σκανδάλη διακόπτης τραβιέται περισσότερο.

○ Η επιθυμητή ταχύτητα περιστροφής μπορεί να επιλεγεί εκ των προτέρων με το καντράν ελέγχου ταχύτητας.

○ Γυρίστε το καντράν ελέγχου ταχύτητας δεξιόστροφα για την υψηλότερη ταχύτητα και αριστερόστροφα για τη χαμηλότερη ταχύτητα. (Εικ. 10)

○ Το τράβηγμα της σκανδάλης και το σπρώξιμο του στόπερ, διατηρεί την κατάσταση λειτουργίας, η οποία είναι βολική για συνεχής λειτουργία. Κατά το σβήσιμο, το στόπερ μπορεί να απασυνδεθεί τραβώντας τη σκανδάλη ξανά.

**ΠΡΟΣΟΧΗ**

Σε περίπτωση που η αριστερή πλευρά του κουμπιού ώθησης είναι πατημένη για αντίστροφη περιστροφή τεμαχιδίων, δεν μπορεί να χρησιμοποιηθεί ο κόφτης.

**2. Τρύπημα**

○ Κατά το τρύπημα, αρχίστε να τρυπάτε αργά, και προοδευτικά αυξήστε την ταχύτητα καθώς τρυπάτε.

- Πάντοτε να εφαρμόζετε πίεση σε ευθεία γραμμή με την λεπίδα. Χρησιμοποιήστε αρκετή δύναμη για να συνεχίσετε να τρυπάτε, αλλά όμως μην σπρώξετε πάρα πολύ τόσο ώστε να μπλοκάρει το μοτέρ ή να αποκλίνει η λεπίδα.
- Για να ελαχιστοποιήσετε το μπλοκάρισμα ή να διαπεράσετε το υλικό, ελαττώστε την πίεση στο δρέπανο και στη λεπίδα κατά το τελευταίο τμήμα της τρύπας.
- Αν το δρέπανο μπλοκάρει, ελευθερώσετε τη σκανδάλη αμέσως, αφαιρέστε τη λεπίδα από το αντικείμενο εργασίας και ξεκινήστε ξανά. Μην ενεργοποιείτε και απενεργοποιείτε τη σκανδάλη σε μια προσπάθεια να ξεκινήσετε ένα μπλοκαρισμένο δρέπανο.
- Όσο μεγαλύτερη είναι η διάμετρος της λεπίδας του δραπάνου, τόσο μεγαλύτερη είναι και η δύναμη αντίδρασης πάνω στο χέρι σας. Προσέξτε να μην χάσετε τον έλεγχο του δραπάνου εξαιτίας αυτής της δύναμης αντίδρασης. Για να κρατήσετε τον απόλυτο έλεγχο, διατηρείτε ένα καλό πάτημα, χρησιμοποιήστε την πλευρική λαβή, κρατήστε το δρέπανο σφικτά με τα δυο χέρια και βεβαιωθείτε ότι το δρέπανο είναι κάθετο ως προς το υλικό το οποίο πρόκειται να τρυπηθεί.

## ΣΥΝΤΗΡΗΣΗ ΚΑΙ ΕΛΕΓΧΟΣ

### 1. Έλεγχος των λεπίδων του δραπάνου

Επειδή η χρήση των φθαρμένων λεπίδων θα προκαλέσει την δυσλειτουργία του μοτέρ και την μειωμένη αποδοτικότητα, αντικαταστήστε τις λεπίδες του δραπάνου με καινούργιες ή ακονίστε τις χωρίς καθυστέρηση όταν παρατηρηθεί η φθορά.

### 2. Έλεγχος των θιδών στερέωσης

Ελέγχετε περιοδικά όλες τις βίδες στερέωσης και βεβαιωθείτε ότι είναι κατάλληλα σφιγμένες. Στην περίπτωση που χαλαρώσει οποιαδήποτε βίδα σφίξτε την ξανά αμέσως. Αν δεν το κάνετε αυτό μπορεί να έχει ως αποτέλεσμα το σοβαρό τραυματισμό.

### 3. Συντήρηση του μοτέρ

Η περιέλιξη της μονάδα του μοτέρ είναι η καρδιά του ηλεκτρικού εργαλείου. Δώστε μεγάλη προσοχή για να σιγουρευτείτε ότι η περιέλιξη δεν θα πάθει ζημιά και / ή θα βρεχθεί με λάδι ή νερό.

### 4. Έλεγχος στα καρβουνάκια

Για την συνεχιζόμενη ασφάλεια σας και την προστασία σας από την ηλεκτροπληξία, ο έλεγχος στα καρβουνάκια και η αντικατάσταση αυτού του εργαλείου πρέπει ΜΟΝΟ να γίνεται από ένα Εξουσιοδοτημένο Κέντρο Σέρβις της Hitachi.

### 5. Λίστα συντήρησης των μερών

#### ΠΡΟΣΟΧΗ

Η επισκευή, η τροποποίηση και ο έλεγχος των Ηλεκτρικών Εργαλείων Hitachi πρέπει να γίνεται από ένα Εξουσιοδοτημένο Κέντρο Σέρβις της Hitachi. Αυτή η Λίστα των Μερών θα είναι χρήσιμη αν παρουσιαστεί μαζί με το εργαλείο στο Εξουσιοδοτημένο Κέντρο Σέρβις της Hitachi όταν ζητάτε επισκευή ή κάποια άλλη συντήρηση. Κατά τον έλεγχο και τη συντήρηση των ηλεκτρικών εργαλείων, οι κανόνες ασφαλείας και οι κανονισμοί που υπάρχουν σε κάθε χώρα πρέπει να ακολουθούνται.

## ΤΡΟΠΟΠΟΙΗΣΗ

Τα Ηλεκτρικά Εργαλεία Hitachi βελτιώνονται συνεχώς και τροποποιούνται για να συμπεριλάβουν τις τελευταίες τεχνολογικές προόδους. Κατά συνέπεια, ορισμένα τμήματα μπορούν να αλλάξουν χωρίς προηγούμενη ειδοποίηση.

## ΣΗΜΕΙΩΣΗ

Εξαιτίας του συνεχιζόμενου προγράμματος έρευνας και ανάπτυξης της Hitachi τα τεχνικά χαρακτηριστικά που εδώ αναφέρονται μπορούν να αλλάξουν χωρίς προηγούμενη ειδοποίηση.

## Πληροφορίες που αφορούν τον εκπεμπόμενο θόρυβο και τη δόνηση.

Οι τιμές μετρήθηκαν σύμφωνα με το EN60745.

Ένα τυπικό επίπεδο πίεσης ήχου A : 99 dB (A).

Ένα τυπικό επίπεδο A ηχητικής ισχύος είναι: 110 dB (A).

Φοράτε προστατευτικά αυτιών.

Μια τυπική τιμή ρίζας μέσης τετραγωνικής επιτάχυνσης: 10 m/s<sup>2</sup>



## PODSTAWOWE ŚRODKI OSTROŻNOŚCI

**UWAGA!** Podczas używania narzędzi elektrycznych należy przestrzegać podstawowych środków ostrożności w celu zmniejszenia ryzyka pożaru, porażenia prądem oraz zranienia, w tym następujących punktów.

Przeczytaj instrukcję zanim przystąpisz do użytkowania narzędzia i zachowaj te instrukcje.

W celu zachowania bezpieczeństwa użytkownika:

1. Miejsce pracy należy utrzymywać w czystości. Zaśmiecone stanowiska pracy i stoły warsztatowe mogą być przyczyną obrażeń.
2. Należy uwzględnić warunki środowiska pracy. Narzędzia elektryczne nie mogą być narażone na działanie deszczu i wilgoci. Miejsce pracy powinno być dobrze oświetlone. Nie używaj narzędzi elektrycznych w pobliżu łatwopalnych cieczy lub gazów ani tam gdzie mogłyby spowodować pożar lub wybuchnąć.
3. Strzeż się porażenia prądem. Unikaj kontaktu cielesnego z uziemionymi powierzchniami (jak np. rury, kaloryfery, lodówki i piecyki).
4. Trzymaj z daleka od dzieci. Nie pozwól odwiedzającym dotknąć narzędzia lub kabla. Odwiedzający powinni trzymać się z daleka od miejsca pracy.
5. Chowaj nieużywane narzędzia. Kiedy nie są w użytku, narzędzia powinny być przechowywane w suchym, zamkniętym miejscu lub kładzione wysoko, tam, gdzie nie dosięgną ich dzieci.
6. Nie wywieraj zbyt mocnego nacisku na narzędzia. Działa ono najlepiej i najbezpieczniej, gdy przestrzegana jest instrukcja użycia.
7. Używaj właściwego narzędzia. Nie używaj małych narzędzi lub dodatków do wykonywania pracy przeznaczonej dla narzędzi większych. Nie używaj narzędzi w celach, do których nie były przeznaczone, jak np. nie używaj piły tarczowej do ścinania gałęzi lub pni.
8. Noś odpowiedni ubiór. Nie noś luźnego ubrania lub biżuterii, mogą się one bowiem wkręcić w ruchome części maszyn. W czasie pracy na zewnątrz zalecane jest używanie gumowych rękawic i nieślizgającego się obuwia. Noś nakrycie głowy, by zabezpieczyć długie włosy.
9. Używaj okularów ochronnych. Używaj maski na twarz, by zabezpieczyć się jeżeli w czasie pracy występuje dużo kurzu.
10. Używaj pochłaniaczy kurzu. Jeśli istnieje możliwość podłączenia pochłaniaczy kurzu, upewnij się, że są one podłączone i poprawnie używane.
11. Nie niszcz kabla. Nigdy nie noś narzędzia trzymając je za kabel i nie ciągnij za kabel, by rozłączyć urządzenie. Trzymaj kabel z daleka od gorąca, oleju, i ostrych narzędzi.
12. Pracuj bezpiecznie. Używaj zacisków lub imadła by trzymać w miejscu przedmioty. Jest to bezpieczniejsze, niż używanie do tego rąk i pozwala na użycie obu rąk do trzymania narzędzi.
13. Nie pochylaj się nad narzędziem. Zawsze zachowuj balans i równowagę,

14. Dbaj o narzędzia. Utrzymuj narzędzia tak, by były ostre i czyste i by lepiej i sprawniej funkcjonowały. Przestrzegaj instrukcji w smarowaniu i wymianie akcesoriów. Sprawdzaj okresowo kable narzędzi i jeśli są one uszkodzone, zanoś do naprawy w autoryzowanym centrum napraw. Sprawdź co pewien czas przedłużacze i wymieniaj je, gdy są uszkodzone. Dbaj, by uchwyt narzędzi były czyste i suche i wolne od tłuszczu i smaru.
15. Rozłączaj narzędzia gdy nie są w użytku, przed naprawami i podczas wymiany akcesoriów takich jak ostrza, wiertła i przecinaki.
16. Zdejmuj klucze i narzędzia regulujące. Wyrób sobie zwyczaj sprawdzania czy klucze i narzędzia regulujące są zdjęte z narzędzi przed ich uruchomieniem.
17. Unikaj przypadkowego włączenia. Nie noś narzędzia z palcem na włączniku w czasie, gdy jest ono włączone do prądu. Upewnij się, że przycisk jest wyłączony zanim włączysz narzędzie do prądu.
18. Używaj przedłużaczy przeznaczonych do użytku na zewnątrz. Kiedy narzędzie jest używane na zewnątrz używaj wyłącznie przedłużaczy do użytku zewnętrznego.
19. Zachowaj ostrożność. Zwracaj uwagę na to, co robisz. Kieruj się rozsądkiem. Nie używaj narzędzi, gdy jesteś zmęczony.
20. Sprawdzaj uszkodzone części. Przed ponownym użyciem narzędzia osłona lub inna uszkodzona część powinna być uważnie sprawdzona, by upewnić się, że będzie ona poprawnie funkcjonować i wykona zamierzoną czynność. Sprawdź ustawienie ruchomych części a także czy poruszają się one bez przeszkód, sprawdź także uszkodzenia, umocowanie i inne czynniki mogące wpłynąć na sprawne działanie narzędzia. Osłona lub inna uszkodzona część powinna być naprawiona lub wymieniona w autoryzowanym centrum napraw lub według zaleceń zawartych w instrukcji. Wymień uszkodzone przełączniki w autoryzowanym centrum napraw. Nie używaj narzędzia jeśli nie działa wyłącznik.
21. Uwaga  
Używanie akcesoriów lub dodatków, które nie są zalecane w instrukcji może grozić ryzykiem odniesienia obrażeń.
22. Naprawiaj narzędzie u wykwalifikowanego fachowca. To narzędzie spełnia określone wymogi bezpieczeństwa. Naprawy powinny być wykonywane tylko przez wykwalifikowanych fachowców używających oryginalnych części zastępczych. W innym przypadku może grozić to niebezpieczeństwem dla użytkownika.

## ŚRODKI OSTROŻNOŚCI STOSOWANE PRZY UŻYCIU MŁOTOWIERTARKI

1. Przed wierceniem w ścianach, sufitach czy podłogach upewnij się, że nie ma w nich żadnych kabli elektrycznych.
2. Zawsze używaj uchwytu bocznego i trzymaj narzędzie mocno obiema rękami.
3. Zawsze przy używaniu młotowiertarki z włączoną funkcją obracania i udaru kierunek obrotów musi być zgodny z ruchem wskazówek zegara. **(Rys. 11)**

**DANE TECHNICZNE**

Napięcie (w zależności od miejsca)*		(110V, 220V, 230V, 240V) ~	
Moc pobierana		790 W*	
Zmiana prędkości		1	2
Prędkość bez obciążenia	Obroty zgodnie z ruchem wsk. zeg	0 – 1000 min <sup>-1</sup>	0 – 3000 min <sup>-1</sup>
	Obroty w kier. przeciwnym	0 – 600 min <sup>-1</sup>	0 – 1800 min <sup>-1</sup>
Wydajność	Stal	13 mm	8 mm
	Beton	20 mm	13 mm
	Drewno	40 mm	25 mm
Częstotliwość uderzeń przy pełnym obciążeniu		8000 min <sup>-1</sup>	26000 min <sup>-1</sup>
Waga (bez kabla)		2,2 kg	

\*Sprawdź nazwę produktu, jako że ulega ona zmianie w zależności od miejsca zakupu.

**WYPOSAŻENIE STANDARDOWE**

- (1) Klucz do uchwytu wiertarskiego (tylko dla uchwytu z kluczem) ..... 1
  - (2) Uchwyt boczny ..... 1
  - (3) Ogranicznik głębokości ..... 1
- Wypożyczenie standardowe może ulec zmianie bez uprzedzenia.

**WYPOSAŻENIE DODATKOWE (sprzedawane oddzielnie)**

- (1) Wiertło udarowe (do betonu)  
średn. 3,2 mm – 20 mm
- Wypożyczenie dodatkowe może ulec zmianie bez uprzedzenia.

**ZASTOSOWANIE**

- Jednoczesne używanie funkcji OBROTY i UDERZENIA:  
Wiercenie otworów w twardych materiałach (beton, marmur, granit, płytki, itp.)
- Funkcja OBROTY:  
Wiercenie otworów w metalu, drewnie, tworzywach sztucznych.

**PRZED UŻYCIEM**

- 1. Źródło mocy**  
Upewnij się, że źródło mocy jest zgodne z wymogami mocy zaznaczonymi przy nazwie produktu.
- 2. Przełącznik**  
Upewnij się, że przełącznik jest wyłączony (pozycja OFF). Jeśli wtyczka jest włączona do prądu gdy przełącznik jest włączony (pozycja ON), narzędzie zacznie działać natychmiast, co może spowodować poważny wypadek.
- 3. Przedłużacz**  
Kiedy miejsce pracy znajduje się daleko od źródła prądu, użyj przedłużacza o wystarczającym przekroju. Przedłużacz powinien być tak krótki, jak tylko jest to możliwe i wartości znamionowej.

**4. Wybór odpowiedniego wiertła**

- Do wiercenia w betonie lub kamieniu  
Używaj wiertel wymienionych w Wypożyczeniu dodatkowym.
- Do wiercenia w metalu lub plastiku  
Używaj normalnych wiertel do metalu.
- Do wiercenia w drewnie  
Używaj normalnych wiertel do drewna.  
Przy wierceniu otworów mniejszych, niż 6,5 mm, używaj jednak wiertel do metalu.

**5. Mocowanie i wyjmowanie wiertła.**

**Uchwyt z kluczem (Rys. 1)**

- (1) Otwórz szczęki uchwytu i włóż wiertło do uchwytu.
- (2) Włóż klucz uchwytu do każdego z trzech otworów uchwytu i obracając kluczem zgodnie z ruchem wskazówek zegara (patrząc od przodu) zamocuj wiertło.
- (3) By wyjąć wiertło, włóż klucz do jednego z otworów w uchwycie i obróć klucz w kierunku przeciwnym do ruchu wskazówek zegara.

**Uchwyt bez klucza**

W zależności od kraju wymagany jest uchwyt bez klucza Typu A lub Typu B.

- Typ A (Rys. 2)
- (1) Mocowanie wiertła  
Obróć kołnierz mocujący w kierunku "AUF" i otwórz uchwyt. Włóż wiertło do uchwytu tak głęboko, jak to możliwe i obróć kołnierz w kierunku "ZU". Schwyć pierścieni i zamknij uchwyt obracając tuleją w kierunku zgodnym z ruchem wskazówek zegara (patrząc z przodu).
  - (2) Wyjmowanie wiertła  
Obróć kołnierz mocujący w kierunku "AUF", by zwolnić nacisk szczęk uchwytu. Schwyć pierścieni i otwórz uchwyt obracając tuleją w kierunku przeciwnym do ruchu wskazówek zegara.

**UWAGA**

Gdy tuleja nie daje się już dalej poluzować, należy zainstalować na pierścieniu uchwyt boczny i trzymając go mocno obrócić tuleję luzując ją ręcznie. (Rys. 4)

○ Typ B (Rys. 3)

(1) Montowanie wiertła

Obróć tuleję w kierunku zgodnym z ruchem wskazówek zegara otwierając uchwyt. Włóż wiertło tak głęboko, jak to możliwe, a następnie schwyć za pierścień i obracając tuleję w kierunku zgodnym z ruchem wskazówek zegara (patrząc z przodu) zamknij uchwyt.

(2) Wyjmowanie wiertła

Trzymając pierścień i obracając tuleję w kierunku przeciwnym do ruchu wskazówek zegara otwórz uchwyt.

**UWAGA**

Gdy tuleja nie daje się już dalej poluzować, należy zainstalować na pierścieniu uchwyt boczny i trzymając go mocno obrócić tuleję luzując ją ręcznie. (Rys. 4)

**6. Sprawdzanie kierunku obrotów (Rys. 5)**

Wiertło obraca się w kierunku zgodnym z ruchem wskazówek zegara (patrząc od tyłu) po wciśnięciu przycisku ze strony oznaczonej literą R. Wciśnięcie przycisku ze strony oznaczonej literą L służy do włączania obrotów w kierunku przeciwnym do ruchu wskazówek zegara. (Literey (L) i (R) są umieszczone na obudowie narzędzia.)

**UWAGA**

Przy pracy z włączoną funkcją obracania i udaru należy używać tylko kierunku zgodnego z ruchem wskazówek zegara.

**7. Mocowanie uchwytu bocznego (Rys. 6)**

Założ uchwyt boczny na część montażową. Obróć rączkę uchwytu bocznego w kierunku zgodnym z ruchem wskazówek zegara zaciskając uchwyt. Najpierw wybierz takie ustawienie uchwytu bocznego, by móc wygodnie używać młotowiertarki, dopiero wtedy zaciśnij uchwyt.

By założyć ogranicznik głębokości na uchwycie bocznym włóż ogranicznik w rowek w kształcie litery U na uchwycie bocznym, wybierz położenie ogranicznika odpowiadające pożądanej głębokości otworu i dokręć mocno rączkę uchwytu bocznego. (Rys. 7)

**8. Przelączenie z funkcji UDERZENIA na OBROTY (Rys. 8)**

Zmieniając położenie dźwigni przelącznika – w lewo lub w prawo – można łatwo przelączać tryb pracy młotowiertarki z funkcji, odpowiednio, UDERZENIA (obrotowo-udarowa) na OBROTY (tylko obrotowa).

By wiercić otwory w takich twardych materiałach jak beton, kamień czy płytki dźwignię należy przelączać w prawo (strona jest oznaczona symbolem **T**).

Wiertło będzie zarówno się obracać, jak i uderzać. By wiercić otwory w metalu, drewnie i plastiku należy dźwignię przelączać w lewo (strona oznaczona symbolem **M**). Wiertło będzie się jedynie obracać – jak w przypadku zwykłej wiertarki elektrycznej.

**UWAGA**

○ Nie używaj funkcji UDERZENIA, jeżeli w danym materiale można wiercić otwory przy użyciu tylko funkcji obrotowej. Nie tylko zmniejszyłoby to skuteczność wiercenia, ale także mogłoby doprowadzić do uszkodzenia wiertła.

○ Włączenie młotowiertarki przy dźwigni zmiany funkcji ustawionej pomiędzy funkcjami Obrotu i Uderzenia może doprowadzić do jej zniszczenia. Przy przelączeniu dźwigni upewnij się, że jest ona w jednym z dwóch prawidłowych ustawień.

**9. Zmiana prędkości pracy–Wysoka/Niska:**

Przed zmianą prędkości pracy młotowiertarki upewnij się, że przełącznik jest w pozycji OFF i że wiertło przestało się poruszać.

By zmienić prędkość, należy obrócić pokrętkę przelączenia zgodnie ze strzałką – jak to pokazano na Rys. 9. Cyfra "1" na obudowie młotowiertarki oznacza niską prędkość, cyfra "2" – wysoką.

Jeżeli pokrętkę zmiany prędkości stawia opór, obróć nieco uchwyt w dowolnym kierunku i spróbuj ponownie obrócić pokrętkę.

**JAK UŻYWAĆ MŁOTOWIERTARKI**

**1. Włączanie**

○ Gdy spust jest wciśnięty, to narzędzie pracuje. Gdy spust zostanie zwolniony, narzędzie się zatrzyma.

○ Prędkością obrotową wiertła można sterować różnicując stopień wciśnięcia spustu. Prędkość jest mniejsza, gdy spust jest wciśnięty tylko trochę i wzrasta przy dalszym jego wciskaniu.

○ Pożądaną prędkość obrotów można ustawić wcześniej pokrętkiem kontroli prędkości.

By zwiększyć prędkość obrotów obróć pokrętkę kontroli prędkości w kierunku zgodnym z ruchem wskazówek zegara, by prędkość zmniejszyć – w kierunku odwrotnym. (Rys. 10)

○ Wciśnięcie zatyczki po wciśnięciu spustu włącza narzędzie w tryb pracy, co jest przydatne przy pracy ciągłej. Aby wyłączyć zatyczkę, należy ponownie wcisnąć spust.

**UWAGA**

Jeżeli w celu uruchomienia narzędzia w kierunku odwrotnym do ruchu wskazówek zegara wciśnięty zostanie przycisk po stronie oznaczonej literą L, to używanie zatyczki jest niemożliwe.

**2. Wiercenie**

○ Podczas wiercenia uruchamiaj narzędzie powoli i stopniowo zwiększaj prędkość obrotów.

○ Młotowiertarkę dociskaj zawsze w kierunku wyznaczonym przez osź wiertła. Dociskaj narzędzie tylko na tyle, by końcówka wiertła mogła pobierać nowy materiał, nie dociskaj młotowiertarki zbyt mocno – możesz przeciążyć silnik i zatrzymać go lub wygiąć wiertło.

○ By zminimalizować ryzyko unieruchomienia wiertła w otworze i przebijania się przez wiercony materiał pod koniec wiercenia otworu zmniejsz nacisk i pozwól, by wiertło popracowało pod mniejszym obciążeniem.

○ Jeżeli wiertło utknie w otworze, natychmiast zwolnij spust i wyjmij wiertło z otworu – dopiero wtedy możesz ponownie uruchomić narzędzie i powrócić do wiercenia. Nie próbuj uruchomić młotowiertarki wielokrotnie naciskając i zwalniając spust. Może to doprowadzić do jej uszkodzenia.

○ Im większa średnica wiertła, z tym większą siłą młotowiertarka napiera na Twoje ramię.

Używaj więc młotowiertarki ostrożnie, by nie ulec tej sile reakcji i nie utracić nad nią kontroli.

By zachować pełnię kontroli nad młotowiertarką podczas pracy należy pewnie stać na ziemi, używać uchwytu bocznego, trzymać narzędzie mocno obiema rękami i upewnij się, że wiertło jest prostopadłe do powierzchni nawiercanego materiału.

---

## KONSERWACJE I PRZEGLĄDY

---

### 1. Kontrola wiertel

Jako, że używanie tępych wiertel powoduje niewłaściwą pracę silnika i zmniejsza wydajność młotowiertarki, po zauważeniu, że wiertło się stępiło niezwłocznie wymień je na nowe lub naostrz.

### 2. Kontrola śrub mocujących

Regularnie sprawdzaj, czy wszystkie śruby mocujące są dokręcone. Jeżeli jakakolwiek z nich się poluzowała, to natychmiast ją dokręć. W innym razie mogłoby to doprowadzić do poważnego wypadku.

### 3. Konserwacja silnika

Wirmik silnika jest sercem tego urządzenia elektrycznego. Zadbaj, by wirnik nie został uszkodzony i/lub nie zawilgotniał lub nie pokrył się olejem.

### 4. Kontrola szczoteczek węglowych

By praca z narzędziem zawsze była bezpieczna i aby uniknąć ryzyka porażenia prądem, węglowe szczoteczki tego narzędzia powinny być sprawdzane i wymieniane TYLKO przez Autoryzowane Centrum Obsługi Hitachi.

### 5. Lista części wymiennych

#### UWAGA

Naprawy, modyfikacji i kontroli Narzędzi Elektrycznych Hitachi może dokonywać tylko Autoryzowane Centrum Obsługi Hitachi.

Ta lista części będzie przydatna, jeśli zostanie wręczona Autoryzowanemu Centrum Obsługi Hitachi, gdy zaniesiemy narzędzie do naprawy lub przeglądu.

Podczas używania i konserwacji narzędzi elektrycznych należy przestrzegać przepisów i norm bezpieczeństwa danego kraju.

#### MODYFIKACJE

Narzędzia elektryczne Hitachi są ciągle usprawniane i modyfikowane w celu wprowadzania najnowszych osiągnięć nauki i techniki.

W związku z tym pewne części mogą ulec zmianie bez uprzedzenia.

---

#### UWAGA

W związku z prowadzonym przez Hitachi programem badań i rozwoju, specyfikacje te mogą się zmienić w każdej chwili bez uprzedzenia.

---

---

#### Informacje dotyczące poziomu hałasu i wibracji przenoszonych przez powietrze

Podane wartości zostały zmierzone zgodnie z normą EN60745.

Typowy poziom dźwięku A: 99 dB (A).

Typowe natężenie dźwięku A: 110 dB (A).

Używaj środków ochrony słuchu.

Typowa wartość skuteczna przyspieszenia wynosi: 10 m/s<sup>2</sup>.

---

## ÁLTALÁNOS BIZTONSÁGTECHNIKAI ELŐÍRÁSOK

**FIGYELEM!** Az elektromos szerszámok használatakor a tűz, elektromos áramütés, valamint személyi sérülések veszélyének elkerülése érdekében mindig tartsa be az alábbi biztonságtechnikai előírásokat.

A termék használatbavétele előtt olvassa el, majd őrizze meg mindezeket az utasításokat.

A biztonságos munkavégzés érdekében:

1. Tartsa tisztán a munkahelyét. A rendetlen munkahely illetve munkapad balesetveszélyt jelent.
2. Mérlegelje a munkahely jellemző tulajdonságait. Esőben ne hagyja kint az elektromos kéziszerszámokat. Ne használjon elektromos szerszámokat nedves, vagy párák környezetben. Gondoskodjék a munkahely jó megvilágításáról. Ne használja az elektromos szerszámokat olyan környezetben, ahol tűz vagy robbanás keletkezésének a veszélye áll fenn.
3. Védekezzen az áramütés ellen! Ügyeljen arra, hogy munka közben ne érintsen meg földelt felületeket (pl. csövezetéseket, fűtőtesteket, tűzhelyeket, hűtőberendezéseket).
4. A gyerekeket és felügyeletre szoruló személyeket tartsa távol az elektromos kéziszerszámoktól. Ne engedje, hogy illetéktelen személyek megérintsék az elektromos kéziszerszámot, vagy az elektromos csatlakozókábelt. A látogatókat távol kell tartani a munkaterülettől.
5. A használaton kívüli szerszámokat biztonságos, magasan fekvő, vagy elzárt helyen kell tárolni, ahol a gyerekek és felügyeletre szoruló személyek nem férhetnek hozzájuk.
6. Ne erőltesse a szerszámot. A tervezett teljesítménytartományban jobban és biztonságosabban dolgozhat vele.
7. Mindig a megfelelő szerszámot használja! Nehéz munkához ne próbáljon kis teljesítményű készüléket, illetve tartozékot alkalmazni. Ne használjon olyan szerszámot, amely nem a feladat elvégzésére való, pl. ne használjon kézi körfűrész gallyázásra vagy tűzifa feldarabolására.
8. Viseljen megfelelő munkaruhát! Munka közben ne hordjon bő öltözéket, és ne viseljen ékszereket, mert a szerszám mozgó alkatrészei elkapathatják azokat. Szabadban történő munkavégzéshez ajánlatos gumikesztyű és csúszásbiztos lábbeli viselése. Hosszú haj esetén viseljen a haját eltakaró fejedőt.
9. Használjon védőeszközöket! Poros munka végzésekor viseljen porvédő álarcot is.
10. Csatlakoztasson valamilyen porszivó berendezést. Ha a készülék rendelkezik porszívási, illetve -gyűjtési lehetőséggel, ügyeljen rá, hogy azok megfelelően legyenek csatlakoztatva és használva.
11. Ne rongálja az elektromos csatlakozókábelt. A kéziszerszámot soha ne hordozza a kábelnél fogva, és a villásdugót soha ne a kábelnél fogva húzza ki a dugaszolóaljzatból. Védje a kábelt a magas hőmérséklettől, olajtól és éles sarkaktól.
12. Biztonságosan rögzítse a munkadarabot! A munkadarab befogásához használjon valamilyen befogóeszközt. Ez egyrészt biztonságosabb, mintha saját kezét használná, másrészt így mindkét kezét használhatja a szerszám működtetéséhez.
13. Ne nyúltsa ki a kezét túl nagy távolságra. Munka közben mindig álljon stabilan, és őrizze meg az egyensúlyát.
14. Gondosan ápolja szerszámaikat! A tökéletesebb és biztonságosabb működés érdekében ügyeljen rá, hogy vágó- és fúrószerszámai mindig élesek és tiszták legyenek. A kenés elvégzéséhez és a tartozékok cseréjéhez mindig tartsa be az előírásokat és a gép karbantartási és kezelési útmutatását. Rendszeresen ellenőrizze a csatlakozó kábelt, és ha sérülést talál, azt azonnal javíttassa ki az erre jogosult szervizzel.

A hosszabbító kábeleket ugyancsak rendszeres időközönként ellenőrizze, és ha megsérült, cserélje ki.

A fogantyúkat mindig tartsa szárazan és tisztán, olaj- vagy zsírszennyeződéstől mentesen.

15. Mindig húzza ki a dugaszoló aljzatból a csatlakozó dugót, ha nem használja a szerszámot, vagy ha tartozékokat, pl. fűrészlapot, fűrófejet, illetve vágófejet cserél benne.
16. Mindig vegye ki a szerszámbaállító- illetve befogókulcsait! Mielőtt a gépet bekapcsolja, mindig ellenőrizze, hogy kivette-e a készülékből a szerszámbaállító- illetve befogókulcsot.
17. Kerülje el a gép véletlenszerű beindítását! Ha az elektromos kéziszerszám be van dugva a hálózati csatlakozóaljzatba, ne tartsa ujját az indító kapcsolón, ne hordozza így a készüléket. Mielőtt a csatlakozó dugót a dugaszolóaljzatba bedugja, mindig győződjék meg róla, hogy a készülék ki legyen kapcsolva.
18. Használjon szabadtéri hosszabbítókábel! Ha a szabadban kell munkát végeznie, mindig csak az erre a célra alkalmas hosszabbító kábelt használjon.
19. Mindig figyeljen oda a végzett munkára! Az elektromos szerszámmal végzett munka teljes figyelmet igényel! Ne használja a készüléket, ha nem érzi kipihentnek magát.
20. Ellenőrizze, hogy nem sérült-e meg valamelyik alkatrész! A kéziszerszám további használata előtt ellenőrizze az esetlegesen megsérült védőeszközt vagy a szerszám egyéb alkatrészeit, hogy azok megfelelően fognak-e működni, illetve ellátták-e feladatukat. Ellenőrizze a mozgó alkatrészek beállításait, azok szabad mozgását, illetve esetleges sérüléseiket, valamint rögzítettességüket, továbbá a működésüket esetleg befolyásoló egyéb körülményeket. A sérült védőeszközt vagy egyéb alkatrészt kizárólag arra jogosult szervizközpont cserélheti ki, illetve javíthatja meg, hacsak az ebben a Kezelési utasításban másként nincs feltüntetve. A hibás csatlakozókat arra jogosult szervizközpontban kell kicseréltetni. Ne használja a szerszámot, ha a csatlakozó azt nem kapcsolja megfelelően be, illetve ki.

### 21. Figyelem!

A nem az ebben a Kezelési utasításban ajánlott tartozékok illetve alkatrészek használata személyi sérülés kockázatával jár!

22. A szerszámot csak szakképzett személlyel javíttassa! Ez az elektromos kéziszerszám eleget tesz a vonatkozó biztonságtechnikai előírásoknak. Javításokat csak arra jogosult személyek végezhetnek, kizárólag eredeti alkatrészek felhasználásával. Ennek be nem tartása súlyos veszélyt jelent a szerszám használója számára.

## AZ ÜTFÉRŐGÉP HASZNÁLATÁVAL KAPCSOLATOS ELŐVIGYÁZATOSSÁGI INTÉZKEDÉSEK

1. Falakba, mennyezetekbe vagy padlóba történő fúrás előtt győződjön meg arról, hogy azokban nem futnak elektromos vezetékek.
2. Mindig használja az oldalfogantyút és tartsa a szerszámot erősen mindkét kezével.
3. Ha az ütférfőgépet ütférfőként használja, akkor azt mindig az óramutató járásával megegyező fúrásiiránnyal használja. **(11. ábra)**

## MŰSZAKI ADATOK

Feszültség (terület szerinti)*	(110V, 220V, 230V, 240V) ~		
Névleges teljesítményfelvétel	790 W*		
Fordulatszám választás	1	2	
Üresjárat fordulatszám	Előrefelé történő forgás	0 – 1000 min <sup>-1</sup>	0 – 3000 min <sup>-1</sup>
	Hátrafelé történő forgás	0 – 600 min <sup>-1</sup>	0 – 1800 min <sup>-1</sup>
Kapacitás	Acél	13 mm	8 mm
	Beton	20 mm	13 mm
	Fa	40 mm	25 mm
Teljes terheléses ütési-sebesség	8000 min <sup>-1</sup>	26000 min <sup>-1</sup>	
Súly (tápkábel nélkül)	2,2 kg		

\* Ne felejtse el ellenőrizni a típustáblán feltüntetett adatokat, mivel ezek területenként változnak!

## STANDARD TARTOZÉKOK

- (1) Tokmánykulcs (Csak kulcsos tokmány esetén) ..... 1  
 (2) Oldalfogantyú ..... 1  
 (3) Mélységmérő ..... 1  
 A standard tartozékok előzetes bejelentés nélkül változhatnak.

## VÁLASZTHATÓ TARTOZÉKOK (külön megrendelésre)

- (1) Ütvefűrő hegy (betonhoz)  
 3,2 mm – 20 mm átmérő  
 A választható tartozékok előzetes bejelentés nélkül változhatnak.

## FELHASZNÁLÁSI TERÜLETEK

- FORGÁS és ÜTVEFŰRÁS:  
 Lyukak fúrása kemény anyagokba (beton, márvány, gárnit, csempé, stb.)  
 FORGÁS:  
 Lyukak fúrása fémbe, fába és műanyagba.

## ÜZEMBEHELYEZÉS ELŐTTI TENNIVALÓK

- Áramforrás**  
 Ügyeljen rá, hogy a készülék adattábláján feltüntetett feszültség értéke megegyezzen az alkalmazni kívánt hálózati feszültséggel.
- Hálózati kapcsoló**  
 Ügyeljen rá, hogy a hálózati kapcsoló KI állásba legyen kapcsolva. Ha a csatlakozódugót úgy csatlakoztatja a dugaszolóaljzatba, hogy a hálózati kapcsoló BE állásban van, akkor a kéziszerszám azonnal működésbe lép, ami súlyos balesetet idézhet elő.
- Hosszabbító vezeték**  
 Ha a munkaterület az áramforrástól távol található, akkor egy megfelelő keresztmetszetű és teljesítmény hosszabbító vezeték kell alkalmazni. A hosszabbító vezeték a lehető legrövidebb legyen.
- A megfelelő fűrőhegy kiválasztása**  
 Beton vagy a kő fúrása esetén  
 Használja a választható tartozékok között meghatározott fűrőhegyeket.

- Fém vagy műanyag fúrása esetén  
 Használjon normál fémmegmunkáló fűrőhegyet.  
 Ha fúrása esetén  
 Használjon normál fagegmunkáló fűrőhegyet.  
 Ha azonban 6,5 mm-es vagy ennél kisebb lyukakat fúr, használjon fémmegmunkáló fűrőhegyet.

## 5. A hegy felszerelése és eltávolítása

## Kulcsos tokmány esetén (1. ábra)

- Nyissa ki a tokmány szorítópozáit és helyezze be a hegyet a tokmányba.
- Illesse be a tokmánykulcsot a tokmány mindhárom lyukába és fordítsa el az óra járásával egyező irányban (a szerszám elejéről szemlélve), majd pedig biztonságosan szorítsa meg.
- A hegy eltávolításához illesse be a tokmánykulcsot a tokmány egyik lyukába és fordítsa el az óra járásával ellenkező irányba.

## Kulcs nélküli tokmány esetén

A felhasználás országa dönti el, hogy A típusú, vagy B típusú kulcs nélküli tokmányra van-e szükség.

- A típus (2. ábra)  
 (1) A hegy felszerelése  
 Fordítsa el a zárógallért "AUF" irányba, és nyissa ki a tokmányt. Miután a fűrőhegyet ütközésig behelyezte a tokmányba, fordítsa el a zárógallért a "ZU" irányba. Fogja meg a gyűrűt és zárja be a tokmányt a karmantyúnak az óra járásával egy irányban történő elfordításával (a szerszám elejéről szemlélve).  
 (2) A hegy eltávolítása  
 A tokmány kinyitásához fordítsa el a zárógallért "AUF" irányba. Fogja meg a gyűrűt és nyissa ki a tokmányt a karmantyúnak az óra járásával ellenkező irányba történő elfordításával.

## MEGJEGYZÉS

Ha a karmantyú tovább már nem lazítható, rögzítse az oldalfogantyút a gyűrűhöz, tartsa erősen az oldalfogantyút, majd pedig a kézzel történő oldáshoz fordítsa el a karmantyút. (4. ábra)

- B típus (3. ábra)  
 (1) A hegy felszerelése  
 Fordítsa el a karmantyút az óramutató járásával ellenkező irányban és nyissa ki a tokmányt. Miután a fűrőhegyet ütközésig behelyezte a tokmányba, fogja meg a gyűrűt és zárja be a tokmányt úgy, hogy a karmantyút az óramutató járásával egyező irányban elfordítja (a szerszám elejéről szemlélve).



- (2) A hegy eltávolítása  
Fogja meg a gyűrűt, és nyissa ki a tokmányt úgy, hogy a karmantyút az óramutató járásával ellenkező irányban fordítja el.

## MEGJEGYZÉS

Ha a karmantyú tovább már nem lazítható, rögzítse az oldalfogantyút a gyűrűhöz, tartsa erősen az oldalfogantyút, majd pedig a kézzel történő oldáshoz fordítsa el a karmantyút (4. ábra).

## 6. Ellenőrizze a forgásirányt (5. ábra)

(A szerszám végétől szemlélve) a nyomógomb jobboldalának (R) megnyomását követően a hegy az óramutató járásával megegyező irányban forog. A hegy óramutató járásával ellenkező irányban történő forgatásához nyomja meg a nyomógomb baloldalát (L). (Az (L) és az (R) jelöléseket a szerszám házában találja meg.)

## FIGYELEM!

Ha az ütvefűrőgépet ütvefűrőként használja, akkor azt mindig az óramutató járásával megegyező fúrásiiránnyal használja.

## 7. Az oldalfogantyú rögzítése (6. ábra)

Csatlakoztassa az oldalfogantyút a befogórészbe. A rögzítéshez forgassa az oldalfogantyú karmantyúját az óramutató járásával megegyező irányba. Állítsa az oldalfogantyút olyan helyzetbe, hogy az megfeleljen a műveletnek, majd pedig biztonságosan szorítsa meg az oldalfogantyút karmantyúját. A mélységmérőnek az oldalfogantyúhoz történő csatlakoztatásához illeszse be a mélységmérőt az oldalfogantyún lévő horonyba, állítsa be a mélységmérőt a lyuk kívánt mélységének megfelelően, majd pedig biztonságosan szorítsa meg az oldalfogantyú karmantyúját. (7. ábra)

## 8. Átkapcsolás ÜTVEFÜRÁS-ról FORGÁS-ra (8. ábra)

Az ÜTVEFÜRÁS (forgás és ütés), valamint a FORGÁS (csak forgás) között történő átkapcsoláshoz egyszerűen csak az üzemmód váltó jobb- és baloldali állása között kell átkapcsolnia.

Lyukaknak kemény anyagokba (mint például beton, kő és csempé) történő fúrásához kapcsolja az üzemmód váltót a jobboldali pozícióba (ezt a **T** jel jelöli).

A fűrőhegy ütés és forgás kombinált alkalmazásával működik.

Lyukaknak fémbe, fába és műanyagba történő fúrásához állítsa az üzemmód váltót a baloldali pozícióba (ezt a **J** jel jelöli). A fűrőhegy csak forgás alkalmazásával működik, ugyanúgy, mint egy hagyományos villanyfűrő-gép esetében.

## FIGYELEM!

- Ne használjon ütvefűrő-gépet az ÜTVEFÜRÁS funkcióban, ha az anyagot csak forgással lehet fúrni. Az ilyen lépés nem csupán a fúrás hatékonyságát csökkenti, de károsíthatja a fűrőhegyet is.
  - Ha úgy működteti az ütvefűrő-gépet, hogy az üzemmód váltó a középső pozícióban van, akkor ez károsodást okozhat. Kapcsolás esetén győződjön meg arról, hogy a helyes állásba állította az üzemmód-váltót.
- 9. Átkapcsolás magas és alacsony fordulatszám között**  
A fordulatszám-váltást megelőzően győződjön meg arról, hogy a kapcsoló OFF (KI) állásban van, illetve, hogy a fűrő motorja teljesen leállt.  
A fordulatszám átváltásához fordítsa el a fordulatszám kapcsolót a **9. ábra** által jelölt módon. A fűrő testébe mar "1" szám az alacsony fordulatszámot, a "2" szám pedig a magas fordulatszámot jelzi.

Ha nehéz elfordítani a fordulatszám kapcsolót, akkor fordítsa el kicsit a tokmányt tetszőleges irányba, majd pedig fordítsa el ismét a fordulatszám szabályzót.

## HASZNÁLAT

### 1. A kapcsoló működtetése

- A kapcsoló megnyomásakor a szerszám forog. Ha a kapcsolót felengedjük, akkor a szerszám megáll.
- A fűrő forgási sebességét a kapcsoló megnyomásának intenzitását változtatva tudjuk szabályozni. A kapcsoló enyhe megnyomásakor a fűrő sebessége alacsony, és a nyomás fokozásával a sebesség is növekszik.
- A kívánt forgási sebességet a fordulatszám szabályzóval előre is kiválaszthatjuk. Magasabb fordulatszámhoz fordítsuk el a fordulatszám szabályzót az óramutató járával megegyező irányban, alacsonyabb fordulatszámhoz pedig az óramutató járásával ellenkező irányban. (10. ábra)
- A kapcsoló és az ütköző együttes megnyomásakor a fűrő olyan bekapcsolt állapotban marad, amely kényelmes a folyamatos működéshez. Kikapcsoláskor az ütköző a kapcsoló ismételt megnyomásával lehet oldani.

## FIGYELEM!

Ha a nyomógomb baloldalát (L) nyomtuk le a hegy visszafelé történő forgatásához, akkor az ütköző nem használható.

### 2. Fúrás

- Fúráskor kezdjük a fúrást lassan, majd pedig fúrás közben fokozatosan emeljük a sebességet.
  - Mindig a hegyel egyenes vonalban alkalmazzon nyomást. Alkalmazzon a fúráshoz elegendő nyomást, de ne nyomja annyira, hogy leálljon a motor, vagy pedig a hegy elhajoljon.
  - A motor leállításának vagy az anyag áttörésének minimalizálásához csökkentse a fűrőre nehezedő nyomást és a lyuk utolsó részében könnyítve nyomja a hegyet.
  - Ha a fűrő leáll, azonnal engedje fel a kapcsolót, távolítsa el a hegyet a munkadarabtól, és kezdje újra. Ne nyomkodja a kapcsolót a leállt fűrő elindítását megkísérelve, ez ugyanis károsíthatja a fűrőt.
  - Minél nagyobb a fűrőhegy átmérője, annál nagyobb a karra visszaható erő.
  - Ügyeljen arra, hogy ezen visszaható erő miatt el ne veszítse a fűrő feletti ellenőrzést.
- A biztos ellenőrzéshez vesse meg alaposan a lábát, használja az oldalfogantyút, fogja erősen a fűrőt mindkét kezével, és gondoskodjon arról, hogy a fűrő függőlegesen hatoljon be a fúrandó anyagba.

## ELLENŐRZÉS ÉS KARBANTARTÁS

### 1. A fűrőhegyek ellenőrzése

Miután az elkopott fűrőhegyek használata a motor hibás működését és a hatékonyság romlását okozhatja, a kopottság észlelésekor késedelem nélkül cserélje ki a fűrőhegyeket új vagy pedig megélezett hegyekre.

### 2. A tartócsavarok ellenőrzése

Rendszeresen ellenőrizze az összes tartócsavart, és gondoskodjon arról, hogy azok szorosan meg legyenek húzva. Ha bármelyik csavar kilazulna, azonnal húzza meg őket. Ennek elmulasztása ugyanis súlyos veszélyt okozhat.

### 3. A motor karbantartása

Az elektromos szerszám lelke a motor tekeréscselése. Ügyeljen arra, hogy a tekeréscselés ne sérüljön meg és ne érje olaj vagy víz.

### 4. A szénkefék ellenőrzése

Az Ön folyamatos biztonsága és az elektromos áramütés veszélyének elkerülése érdekében e szerszám szénkeféinek ellenőrzését és cseréjét KIZÁRÓLAG csak Hitachi Szakszervíz végezheti.

### 5. Szervíz alkatrész listája

#### FIGYELEM!

Hitachi kéziszerszámok javítását, módosítását és ellenőrzését csak Hitachi Szakszervíz végezheti.

Javítás vagy egyéb karbantartás esetén hasznos ha ezt a szervíz-alkatrész listát a szerszámmal együtt átadjuk a Hitachi Szakszervíznek.

A kéziszerszámok üzemeltetése és karbantartása során be kell tartani az egyes országokban érvényben lévő biztonsági rendelkezéseket és szabványokat.

#### MÓDOSÍTÁSOK:

A Hitachi elektromos kéziszerszámokat folyamatosan fejlesztjük és módosítjuk, hogy azok magukban foglalhassák a legújabb műszaki fejlesztések eredményeit. Ezért bizonyos alkatrészek előzetes bejelentés nélkül is megváltozhatnak.

---

#### MEGJEGYZÉS

A HITACHI folyamatos kutatási és fejlesztési programja következtében az itt szereplő műszaki adatok előzetes bejelentés nélkül változhatnak.

---

---

#### A környezeti zajra és vibrációra vonatkozó információk:

A mért értékek az EN60745 szabvány szerint kerültek meghatározásra.

Jellemző A - súlyozott hangnyomásszint: 99 dB (A).

Jellemző A - súlyozott hangnyomásszint: 110 dB (A).

Viseljen hallásvédő eszközt!

A jellemző súlyozott gyorsulás négyzetes középértéke: 10 m/s<sup>2</sup>.

---



## VŠEOBECNÉ PROVOZNÍ POKYNY

**Varování!** Při použití elektrického nářadí je nutné dodržovat základní bezpečnostní opatření, aby se zmenšilo nebezpečí požáru, úrazu elektrickým proudem nebo zranění. Dodržujte také následující pokyny.

Před použitím nástroje si přečtěte všechny tyto pokyny a návod pečlivě uschovejte.

Z bezpečnostních důvodů:

1. Udržujte pracovní prostředí čisté. Nepořádek na pracovišti vede k úrazům.
2. Vyhybejte se nebezpečnému prostředí. Chraňte nářadí před deštěm. Nepoužívejte ve vlhkých nebo mokrych místech. Mějte pracoviště dobře osvětlené. Nepoužívejte nářadí blízko hořlavých a výbušných materiálů.
3. Chraňte se proti úrazu elektrickým proudem. Nedotýkejte se uzemněných předmětů (např. potrubí, radiátorů, sporáků nebo ledniček).
4. Dbejte na to, aby byly děti nebo jiné nepovolané osoby v bezpečné vzdálenosti od pracoviště a nedotýkaly se nářadí ani přívodní šňůry.
5. Nepoužívané nástroje uložte v suchu na bezpečném místě mimo dosah dětí.
6. Nástroj nepřetěžujte. Bude pracovat lépe a bezpečněji v podmínkách, pro které byl zkonstruován.
7. Používejte vhodný nástroj. Nepoužívejte malý nástroj nebo příslušenství na práce, pro které je zapotřebí výkonný nástroj. Používejte nářadí jen na práce, pro které je určeno; například nepoužívejte kotoučovou pilu na řezání větví nebo kmenů stromů.
8. Na práci se vhodně oblečte. Neberte si volné šaty nebo šperky. Mohou být zachyceny pohyblivými částmi. Při práci venku se doporučuje používat pryžové rukavice a vhodnou obuv (s protiskluzovou podrážkou). Máte-li dlouhé vlasy, použijte vhodnou pokrývku hlavy.
9. Používejte ochranné pomůcky. Chraňte si oči a pokud se při práci praší, použijte ochrannou masku nebo filtr.
10. Připojte zařízení na odsávání prachu. Je-li nářadí vybaveno přípojkou pro zařízení na odsávání a sběr prachu, zajistěte jejich připojení a správné používání.
11. Zacházejte s napájecí šňůrou opatrně. Nikdy nezvedejte nářadí za šňůru a netahejte za šňůru, když ji chcete odpojit ze zásuvky. Chraňte šňůru před teplem, olejem a ostrými hranami.
12. Pracujte bezpečně. Obráběný materiál upevněte svorkou nebo ve svěráku. Je to bezpečnější než přidržovat materiál rukou a uvolníte si tak pro práci s nástrojem obě ruce.
13. Při práci se příliš nenaklánějte. Udržujte pevný postoj a rovnováhu.
14. Zacházejte s nástroji opatrně. Chraňte vždy jejich ostří a udržujte je čisté, aby se s nimi dobře a bezpečně pracovalo. Dodržujte pokyny pro mazání a výměnu příslušenství. Pravidelně kontrolujte stav napájecí šňůry a je-li poškozena, nechejte nástroj opravit v autorizovaném servisním středisku. Pravidelně kontrolujte stav prodlužovací šňůry a vyměňte ji, je-li poškozena. Mějte ruce suché a čisté, neumazané olejem nebo mazivem.
15. Odpojte napájecí šňůru ze zásuvky, není-li nástroj používán, prováděl-li se jeho údržba nebo se mění příslušenství, např. čepele, nástavce nebo řezací nože.

16. Odstraňte klíče. Zvykněte si před zapnutím nástroje zkontrolovat, zda na něm není nasazen klíč.
17. Zabraňte náhodnému zapnutí. Při přenášení nástroje nemějte prst na spínači. Před připojením napájecí šňůry do zásuvky zkontrolujte, zda je nástroj vypnut.
18. Používáte-li nástroj venku, použijte jen prodlužovací šňůry určené pro venkovní prostředí.
19. Buďte pozorní. Sledujte průběh práce. Používejte zdravý rozum. Nepracujte s nástrojem, jste-li unaveni.
20. Před každým použitím zkontrolujte poškození částí nářadí, abyste zjistili, zda budou pracovat správně. Zaměřte se na polohu pohyblivých částí, volný pohyb pohyblivých částí, poškození, montáž a další podmínky, které by mohly ovlivnit použití nástroje. Poškozenou ochranu nebo jiné části je třeba správně opravit nebo vyměnit v autorizovaném servisním středisku, nejsou-li v tomto návodu uvedeny jiné pokyny. Vadné spínače nechejte vyměnit v autorizovaném servisním středisku. Nepoužívejte nástroj, nejde-li spínač zapnout nebo vypnout.
21. Varování!  
Abyste zabránili poranění, používejte jen příslušenství nebo nástavce popsané v tomto návodu.
22. Opravy světe jen autorizovanému servisu. Tento elektrický nástroj odpovídá příslušným bezpečnostním požadavkům. Opravy smí provádět jen kvalifikované osoby s použitím originálních náhradních dílů. Jinak může uživateli hrozit velké nebezpečí.

## OPATRNOST PŘI POUŽÍVÁNÍ PŘÍKLEPOVÉ VRTAČKY

1. Před započetením prací na stěnách, podlaze nebo stropěch se přesvědčte, že uvnitř se nenachází žádné elektrické kabely nebo vodiče.
2. Vždy používejte boční držadlo a držte zařízení pevně v obou rukách.
3. Při práci s příklepem používejte příklepový vrták vždy při rotaci po směru hodinových ručiček. (**Obr. 11**)

## TECHNICKÉ ÚDAJE

Napětí (podle příslušné oblasti)*		(110 V, 220 V, 230 V, 240 V) ~	
Příkon		790 W*	
Změna rychlosti		1	2
Rychlost bez zatížení	Chod vpřed	0 – 1000 min <sup>-1</sup>	0 – 3000 min <sup>-1</sup>
	Zpětný chod	0 – 600 min <sup>-1</sup>	0 – 1800 min <sup>-1</sup>
Kapacita	Ocel	13 mm	8 mm
	Beton	20 mm	13 mm
	Dřevo	40 mm	25 mm
Příklepová rychlost při plném zatížení		8000 min <sup>-1</sup>	26000 min <sup>-1</sup>
Hmotnost (bez šňůry)		2,2 kg	

\* Zkontrolujte, prosíme, štítek na výrobku. Štítek podléhá změnám v závislosti na oblastech použití.

## STANDARDNÍ PŘÍSLUŠENSTVÍ

- (1) Klíč sklíčidla (jen u sklíčidel na klíč) ..... 1  
 (2) Boční držadlo ..... 1  
 (3) Měřítka hloubky ..... 1  
 Standardní příslušenství podléhá změnám bez upozornění.

## VOLITELNÉ PŘÍSLUŠENSTVÍ (prodává se zvlášť)

- (1) Příklepový vrták (do betonu)  
 průměr 3,2 mm – 20 mm  
 Doplnkové příslušenství podléhá změnám bez upozornění.

## POUŽITÍ

- ROTACE ve spojení s PŘÍKLEPEM:  
 Vyrvtávání otvorů do tvrdých materiálů (beton, mramor, žula, obkladačky atd.)
- ROTACE:  
 Vyrvtávání otvorů do kovů, dřeva a plastů.

## PŘED POUŽITÍM

- 1. Zdroj napětí**  
 Ujistěte se, že používaný zdroj napětí splňuje požadavky specifikované na štítku výrobku.
- 2. Spínač**  
 Ujistěte se, že spínač je v poloze VYPNUTO. Pokud je zástrčka zasunuta v zásuvce elektrického proudu a spínač je v poloze ON, zařazení začne okamžitě pracovat, a to může způsobit vážný úraz.
- 3. Prodlužovací kabel**  
 Pokud je pracoviště vzdáleno od zdroje napájení, použijte prodlužovací kabel o správné tloušťce a kapacitě. Je třeba, aby prodlužovací kabel byl co nejkratší.
- 4. Volba správného vrtáku**
  - Při vrtání do betonu nebo kamene  
 Použijte vrtáky uvedené v doplňkovém příslušenství.
  - Při vrtání do kovu nebo plastu  
 Použijte obyčejný vrták na kov.
  - Při vrtání do dřeva  
 Použijte obyčejný vrták na dřevo.  
 Při vrtání otvorů o průměru 6,5 mm a méně však použijte vrták na kov.

## 5. Nasazení a sejmутí vrtáku

### U sklíčidel na klíč (Obr. 1)

- (1) Rozevřete čelisti sklíčidla a vložte vrták do sklíčidla.
- (2) Vsuňte klíč sklíčidla do kterékoliv ze tří otvorů ve sklíčidle a otáčejte jím ve směru otáčení hodinových ručiček (v pohledu zepředu). Pevně sklíčidlo utáhněte.
- (3) Chcete-li vrták vyjmout, vsuňte klíč sklíčidla do jednoho z otvorů ve sklíčidle a otáčejte jím proti směru otáčení hodinových ručiček.

### U sklíčidel bez klíče

Podle požadavků příslušné země se použije sklíčidlo bez klíče typu A nebo B.

- Typ A (Obr. 2)
  - (1) Upevnění vrtáku  
 Otočte prstenec sklíčidla ve směru „AUF“ a otevřete sklíčidlo. Vsuňte vrták do sklíčidla co nejdál a poté otočte prstenec sklíčidla ve směru „ZU“. Uchopte kroužek a uzavřete sklíčidlo otočením objímky ve směru otáčení hodinových ručiček (pohled zepředu).
  - (2) Vyjmутí vrtáku  
 Otočte prstenec sklíčidla ve směru „AUF“ a uvolněte sevření sklíčidla. Uchopte kroužek a otevřete sklíčidlo otočením objímky proti směru otáčení hodinových ručiček.

### POZOR

Nelze-li již objímku více uvolnit, upevněte na kroužek boční držadlo, pevně boční držadlo uchopte a otáčejte objímkou, až půjde povolit rukou. (Obr. 4)

- Typ B (Obr. 3)

- (1) Upevnění vrtáku  
 Otočte objímku proti směru hodinových ručiček a otevřete sklíčidlo. Vsuňte vrták do sklíčidla co nejdál a poté uchopte kroužek a uzavřete sklíčidlo otočením objímky ve směru hodinových ručiček (pohled zepředu).
- (2) Vyjmутí vrtáku  
 Uchopte kroužek a otevřete sklíčidlo otočením objímky proti směru hodinových ručiček (pohled zepředu).

### POZOR

Nelze-li již objímku více uvolnit, upevněte na kroužek boční držadlo, pevně boční držadlo uchopte a otáčejte objímkou, až půjde povolit rukou. (Obr. 4).

**6. Zkontrolujte nastavený směr otáčení (Obr. 5)**

Vrták se otáčí po směru hodinových ručiček (pohled zezadu), stiskneme-li stranu tlačítka označenou písmenem R.

Po stisknutí strany tlačítka označené písmenem L se vrták otáčí proti směru hodinových ručiček.

(Znamínka (L) a (R) jsou pouze na pouzdrů zařízení.)

**POZOR**

Při práci s příklepem používejte příklepový vrták vždy při rotaci po směru hodinových ručiček.

**7. Upevnění bočního držadla (Obr. 6)**

Přípevněte boční držadlo na úchyty.

Otáčením bočního držadla po směru hodinových ručiček je zajistíte na úchyty.

Nastavte boční držadlo do polohy vhodné k práci a poté pevně utáhněte úchyt bočního držadla.

Chcete-li na boční držadlo připevnit měřítko hloubky, zasuňte měřítko do drážky tvaru U na bočním držadle, nastavte jeho polohu podle požadované hloubky otvoru a pevně utáhněte úchyt bočního držadla (**Obr. 7**)

**8. Přepnutí z režimu PŘÍKLEP do režimu ROTACE (Obr. 8)**

Přepnutí z režimu PŘÍKLEP (rotace a příklep) do režimu ROTACE (pouze rotace) je snadné – pomocí nastavením přepínače z pravé do levé polohy.

Při vrtání do tvrdých materiálů jako beton, kámen a obkladačky nastavte přepínač do pravé polohy (vyznačené znamínkem **T**).

Vrták pracuje v kombinaci příklepu a rotace.

Při vrtání otvorů v kovu, dřevu a plastech nastavte přepínač do levé polohy (vyznačené znamínkem **S**).

Vrták pracuje pouze rotací, jako u konvenční elektrické vrtačky.

**POZOR**

○ Nepoužívejte příklepovou vrtačku v režimu PŘÍKLEP v případě, že materiál lze vrtat pouze rotací. V takovém případě může příklepový režim nejen snížit účinnost vrtačky, ale také poškodit špičku vrtáku.

○ Funkce příklepové vrtačky s přepínačem ve střední poloze může vést k jejímu poškození. Při přepínání dbejte na to, abyste přepínač přepínali do správné polohy.

**9. Přepínání mezi vysokorychlostním a nízkorychlostním režimem**

Před změnou nastavení rychlosti se ujistěte, že spínač je v pozici VYPNUTO a že se vrtačka zcela zastavila.

Rychlost přestavíte otáčením číselníku převodovky ve směru šipky na **Obr. 9**. Číslice „1“ vyražená na plášti vrtačky značí nízkou rychlost a číslice „2“ vysokou rychlost.

Lze-li číselníkem převodovky otáčet jen ztěžka, pootočte sklíčidlo krátce oběma směry a poté otáčejte číselníkem převodovky znovu.

**JAK POUŽÍVAT PŘÍKLEPOVOU VRTAČKU****1. Funkce spínače**

○ Po stisknutí spouští se zařízení otáčí. Po uvolnění spouští se zařízení zastaví.

○ Rychlost rotace vrtačky lze ovládat mírou stisknutí spouští. Při malém stisknutí spouští je rychlost nízká a zvyšuje se při silnějším stisknutí spouští.

○ Požadovanou rychlost otáčení lze předvolit číselníkem nastavování rychlosti.

Při otáčení číselníku rychlosti po směru hodinových ručiček se rychlost zvyšuje a při otáčení proti směru hodinových ručiček se rychlost snižuje (**Obr. 10**).

○ Při stisknutí spouští a následném stisknutí zarážky zůstane zařízení v režimu zapnuto, což je výhodné pro déletrvající práci. Při vypínání je možno zarážku vypnout opětovným stiskem spouští.

**POZOR**

Je-li tlačítko nastaveno do polohy L pro opačný směr otáčení vrtačky, nelze zarážku použít.

**2. Vrtání**

○ Při vrtání spouštějte vrtačku pomalu a postupně za chodu rychlost zvyšujte.

○ Vždy vyvíjejte tlak přímo v ose vrtáku. Používejte dostatečný tlak k vrtání, avšak ne natolik, aby motor přestal pracovat nebo aby došlo k vychýlení vrtáku.

○ Snižte-li přítlak při závěrečné fázi vrtání otvoru, omezíte zasekávání motoru a riziko prolomení materiálů.

○ Pokud se vrtačka zasekne, uvolněte okamžitě spoušť, vyjměte vrták z díla a začněte znovu. Nesnažte se uvést zaseknutou vrtačku do chodu opakovanými stisky spouští. To může vrtačku poškodit.

○ Čím větší bude průměr vrtáku, tím větší bude odporová síla působící na vaši paži.

Dbejte na to, abyste působením této odporové síly neztratili kontrolu nad vrtačkou.

Chcete-li si udržet pevnou kontrolu nad vrtačkou, zaujměte stabilní postavení, používejte boční držadlo, držte vrtačku pevně v obou rukách a dbejte na to, aby byla vrtačka v poloze kolmé k vrtanému materiálu.

**ÚDRŽBA A KONTROLA****1. Kontrola vrtáků**

Používání opotřebovaných vrtáků způsobuje špatnou funkci motoru a snižuje účinnost. Proto zjistěte-li opotřebované vrtáky, vyměňte je neprodleně za nové nebo nabroušené.

**2. Kontrola šroubů**

Pravidelně zkontrolujte všechny šrouby a ujistěte se, že jsou správně utažené. Pokud najdete některé šrouby uvolněné, ihned je utáhněte. Neutažené šrouby mohou vést k vážnému riziku.

**3. Údržba motoru**

Vinutí motoru je srdce zařízení. Ujistěte se, že vinutí není poškozené nebo vlhké vodou nebo olejem.

**4. Kontrola uhlíkových kartáčků**

V zájmu zachování bezpečnosti a ochrany před úrazem elektrickým proudem by kontrolu a výměnu uhlíkových kartáčků tohoto zařízení mělo provádět POUZE Autorizované servisní středisko Hitachi.

**5. Seznam servisních položek****POZOR**

Opravy, modifikace a kontroly zařízení Hitachi musí provádět Autorizované servisní středisko Hitachi.

Tento seznam servisních položek bude užitečný, předložíte-li jej s vaším zařízením Autorizovanému servisnímu středisku Hitachi společně s požadavkem na opravu nebo další servis.

Při obsluze a údržbě elektrických zařízení musí být dodržovány bezpečnostní předpisy a normy platné v každé zemi, kde je výrobek používán.

**MODIFIKACE:**

Výrobky firmy Hitachi jsou neustále zdokonalovány a modifikovány podle nejnovějších výsledků výzkumu a vývoje.

V důsledku toho mohou některé díly být změněny bez předešlého oznámení.

---

**POZNÁMKA:**

Z důvodu stále pokračujícího výzkumného a vývojového programu HITACHI mohou zde uvedené parametry podléhat změnám bez předchozího upozornění.

---

---

**Informace o hluku šířeném vzduchem a vibracích**

Naměřené hodnoty byly stanoveny podle normy EN 60745.

Nominální A-vážený akustický tlak: 99 dB (A).

Nominální A-vážená úroveň akustického výkonu: 110 dB (A).

Při práci používejte prostředky ochrany sluchu.

Nominální vážené zrychlení (kvadratický průměr): 10 m/s<sup>2</sup>.

---

---

## KULLANIMLA İLGİLİ GENEL ÖNLEMLER

**DİKKAT!** Elektrikli el aletleri kullanırken, elektrik çarpması, yaralanma ve yangına karşı korunmak üzere aşağıdaki temel güvenlik önlemlerine uyulmalıdır.

Aleti kullanmadan önce bu kılavuzu okuyun ve talimatlara uyun.

Güvenli bir kullanım için:

1. Çalışma ortamını temiz tutun. Dağınık ve düzensiz alanlar yaralanmaya yol açabilir.
2. Çalışma yapılan ortamın çevresine dikkat edin. Aleti yağmura maruz bırakmayın, rutubetli veya ıslak yerlerde kullanmayın. Çalışma alanının iyi bir şekilde aydınlatılmasını sağlayın. Elektrikli el aletlerini yangın veya patlama tehlikesi olan ortamlarda kullanmayın.
3. Elektrik çarpmasına karşı korunun. Topraklanmış yüzeylerle (borular, radyatörler, fırınlar, buzdolapları gibi) temastan kaçınin.
4. Çocukları uzak tutun. Başkalarının alete veya uzatma kablosuna dokunmalarına izin vermeyin. Çalışanların haricindeki kişilerin çalışma sahasından uzak tutulması gerekir.
5. Kullanılmayan aletleri çocukların ulaşamayacağı kuru, yüksek bir yere kaldırım veya kilimli bir yerde saklayın.
6. Aleti zorlamayın. En iyi ve güvenilir sonucun aletin tasarlandığı şekilde kullanılmasından elde edileceğini unutmayın.
7. Doğru aleti kullandığınızdan emin olun. Küçük bir aleti ağır bir iş için zorlamayın. Hiçbir aleti amacı dışında kullanmayın. (Örneğin dairesel testereyi ağaç kesmek için kullanmak gibi.)
8. Çalışma giysilerinize dikkat edin. Bol giysiler ve takılar gibi aletin hareketli parçalarına kapılabilecek giysiler giymeyin. Açık alanlarda çalışırken lastik eldiven ve kaymayan ayakkabıların kullanılması tavsiye edilir. Ayrıca uzun saçları içine alan koruyucu başlık kullanın.
9. Koruyucu gözlük kullanın. Eğer toz çıkaran bir çalışma yapıyorsanız, yüz ya da toz maskesi kullanın.
10. Toz toplama teçhizatı kullanın. Toz toplama bağlantısı için gerekli teçhizat ve bağlantı araçları sağlanmışsa, bunların bağlı olduğundan ve doğru şekilde kullanıldığından emin olun.
11. Kabloyu yanlış yerlerde kullanmayın. Aleti asla kablodan tutarak taşımayın veya hızla prizden çekmeyin. Kabloyu kesici cisimlerden, sıcak yüzeylerden ve yağdan uzak tutun.
12. Güvenli bir şekilde çalışın. İş elinizle değil, kısıkaç veya mengene kullanarak tutun. Bu, ellerinizi kullanmanızdan daha güvenlidir; ayrıca boşta kalan iki elinizi de aleti çalıştırmak için kullanabilirsiniz.
13. Fazla uzanmayın. Ayaklarınızın konumuna ve dengeye her zaman dikkat edin.
14. Aletleri korumaya özen gösterin. Daha yüksek performans elde etmek ve güvenliğiniz için aletleri keskin ve temiz tutun. Yağlama ve aksesuar değişimlerinde talimatlara uyun. Kabloarı düzenli olarak kontrol edin ve zarar görmüş olanları yetkili servislerde tamir ettirin. Uzatma kablolarını da düzenli aralıklarla kontrol edip hasarlı olan varsa değiştirin. Tutma kollarını kuru, temiz ve yağsız tutun.
15. Kullanmadığınız zamanlarda; bıçak, keski gibi aksesuar değişimlerinde ve tamirat öncesi aletin elektrik bağlantısını kesin.

16. Aleti çalıştırmadan önce ayar anahtarlarının çıkartılmış olup olmadığını kontrol etmeyi alışkanlık haline getirin. Çıkartılmamışsa çıkarn.
17. Aletin istek dışı çalışmasını engelleyin. Elektrik bağlantısı olan aleti parmağınız şalter üzerinde olduğu halde taşımayın. Fişi takmadan aletin kapalı olduğuna emin olun.
18. Açık alandaki çalışmalar için sadece açık alana özel uzatma kablosu kullanın.
19. Daima tetikte olun. Ne yaptığınızın farkında olun ve duyarlı olun. Aleti yorgunken çalıştırmayın.
20. Aletin hasarlı olup olmadığını kontrol edin. Aletle yeni bir işe başlamadan önce; koruyucu tertibatların veya hafif hasarlı parçaların işlevlerini kusursuz ve usulüne uygun bir biçimde yerine getirip getirmediklerini kontrol edin. Hareketli parçaların hizalı olup olmadığını, sıkışıp sıkışmadıklarını veya hasarlı olup olmadıklarını kontrol edin. Kullanım kılavuzunda başka türlü belirtilmemişse; hasar görmüş koruyucu tertibat ve parçalar bir yetkili servis tarafından usulüne uygun olarak onarılmalı veya değiştirilmelidir. Hasarlı şalterler de yetkili servis tarafından yenilenmelidir. Şalterlerin kapama/açma işlevini yerine getirmediği bir aleti kullanmayın.
21. Dikkat  
Bu talimatlarda belirtilenler dışında aksesuarların veya parçaların kullanılması, talimatlara yol açabilir.
22. Aletin yalnızca vasıflı bir kişi tarafından tamir edilmesini sağlayın. Bu elektrikli alet, ilgili güvenlik gerekliliklerine uygundur. Tamiratlar yalnızca yetkili servis tarafından orijinal yedek parçalar kullanılarak yapılmalıdır. Aksi halde kullanici açısından büyük tehlikeler doğabilir.

## DARBELİ MATKABI KULLANIRKEN ALINACAK ÖNLEMLER

1. Duvarlar, tavanlar ya da zeminler üzerinde delme işi yapmadan önce deldiğiniz yerin arkasında elektrik kablosu olmadığından emin olun.
2. Yan kolu her zaman kullanın ve takımı iki elinizle sıkıca tutun.
3. Darbeli matkabı darbeli delme işlerinde her zaman saat yönünde devirle kullanın. (**Şekil. 11**)

## ÖZELLİKLER

Voltaj (alanlara göre)*		(110V, 220V, 230V, 240V) ~	
Güç girişi		790 W*	
Hız değiştirme		1	2
Yüksüz hız	İleri devir	0 – 1000 dak <sup>-1</sup>	0 – 3000 dak <sup>-1</sup>
	Ters devir	0 – 600 dak <sup>-1</sup>	0 – 1800 dak <sup>-1</sup>
Kapasite	Çelik	13 mm	8 mm
	Beton	20 mm	13 mm
	Tahta	40 mm	25 mm
Tam yüklü darbe oranı		8000 dak <sup>-1</sup>	26000 dak <sup>-1</sup>
Ağırlık (kablolu)		2,2 kg	

\* Bölgelere göre değişiklik gösterdiğinden ürün üzerindeki etiketi kontrol edin.

## STANDART AKSESUARLAR

- (1) Mandren Anahtarı (Yalnızca anahtarlı mandren için) ... 1  
 (2) Yan kol ..... 1  
 (3) Derinlik ölçme aleti ..... 1  
 Standart aksesuarlarda haber verilmeksizin değişiklik yapılabilir.

## İSTEĞE BAĞLI AKSESUARLAR (ayrı satılır)

- (1) Darbeli Matkap Ucu (beton için)  
 3,2 mm – 20 mm çap.

İsteğe bağlı aksesuarlarda haber verilmeksizin değişiklik yapılabilir.

## UYGULAMALAR

- DEVR ve DARBE hareketi birlikte:  
 Sert malzemelerde delik açma (beton, mermer, granit, karolar gibi)  
 DEVR hareketi ile:  
 Metal, tahta ve plastik malzemelerde delik açma.

## İŞLEMEN ÖNCE

- 1. Güç kaynağı**  
 Kullanılacak güç kaynağının ürün etiketinde belirtilen güç şartlarına uygun olduğundan emin olun.
- 2. Güç anahtarı**  
 Güç anahtarının KAPALI konumunda olduğundan emin olun. Güç anahtarı AÇIK konumundayken fiş prize takıldığında takım hemen çalışmaya başlar ve ciddi kazalara neden olabilir.
- 3. Uzatma kablosu**  
 Çalışma alanı güç kaynağından uzak olduğunda yeterli kalınlık ve kapasitede bir uzatma kablosu kullanın. Uzatma kablosu mümkün olduğunca kısa tutulmalıdır.
- 4. Uygun matkap ucunu seçme**  
 Beton ya da taş delerken  
 İsteğe Bağlı Aksesuarlar kısmında belirtilen matkap uçlarını kullanın.  
 Metal ya da plastik delerken  
 Metal ileri için kullanılan normal matkap ucu kullanın.

- Tahta delerken

Tahta işleri için kullanılan normal matkap ucu kullanın. Ancak, 6,5 mm ya da bundan daha küçük çapta delikler delerken metal işleri için kullanılan bir matkap ucu kullanın.

**5. Matkap ucunun takılması ve sökülmesi****Anahtarlı mandren için (Şekil. 1)**

- (1) Mandren azn açın ve matkap ucunu mandrenin içine yerleştirin.  
 (2) Mandren anahtarını mandrendeki deliğin her birine yerleştirin ve saat yönünde çevirin (önden görünüm). İyice sıkın.  
 (3) Matkap ucunu sökmek için mandren anahtarını mandrendeki deliklerden birine takın ve saatin ters yönünde çevirin.

**Anahtarsız mandren için**

A Tipi ya da B tipi anahtarsız mandrenden hangisinin kullanılacağı kullanılan ülkeye göre belirlenir.

- A Tipi (Şekil. 2)

- (1) Matkap ucunu takma  
 Kilit halkasını "AUF" yönünde çevirin ve mandreni açın. Matkap ucunu mandrene iyice girecek şekilde yerleştirdikten sonra kilit halkasını "ZU" yönünde çevirin. Halkayı tutup manşonu önden görüldüğü şekilde saat yönünde çevirerek kapatın.  
 (2) Matkap ucunu sökme  
 Mandreni gevşetmek için kilit halkasını "AUF" yönünde çevirin. Halkayı tutun ve manşonu saatin ters yönünde çevirerek mandreni açın.

**NOT**

Manşon daha fazla gevşemediğinde yan kolu, halkaya sabitleyin, kolu sıkıca tutun ve elle gevşetmek için manşonu çevirin. (Şekil. 4)

- B Tipi (Şekil. 3)

- (1) Matkap ucunu takma  
 Manşonu saatin ters yönünde çevirin ve mandreni açın. Matkap ucunu mandrenin içine iyice girecek şekilde yerleştirdikten sonra halkayı tutun ve manşonu önden görüldüğü şekilde saat yönünde çevirerek mandreni kapatın.  
 (2) Matkap ucunu sökme  
 Halkayı tutun ve manşonu saatin ters yönünde çevirerek mandreni açın.

**NOT**

Manşon daha fazla gevşemediğinde yan kolu, halkaya sabitleyin, kolu sıkıca tutun ve elle gevşetmek için manşonu çevirin. (Şekil. 4)

**6. Dönme yönünün kontrol edilmesi (Şekil. 5)**

İtme düğmesinin R tarafına basıldığında matkap ucu saat yönünde döner (yandan bakıldığında). İtme düğmesinin L tarafına basıldığında matkap ucu saat yönünün tersine döner.

(L) ve (R) işaretleri matkap gövdesinde yer alır.)

**DİKKAT**

Darbeli matkabı darbeli delme işlerinde her zaman saat yönünde devirle kullanın.

**7. Yan kolu takma (Şekil. 6)**

Yan kolu montaj parçasına takın.

Kolu sıkıca için saat yönünde çevirin.

Yan kolu yapılacak işleme uygun bir konuma ayarlayın ve iyice sıkın.

Derinlik ölçme aletini yan kola takmak için aleti yan kolda bulunan U şeklindeki oluğa yerleştirin, istenen delik derinliğine göre aleti ayarlayın ve yan kolu iyice sıkın. (Şekil. 7)

**8. DARBELİDEN DEVİRLİ çalışmaya geçiş (Şekil. 8)**

Değiştirme kolunu sağ sol arasında kaydırarak DARBELİ (devirli ve darbeli) çalışmaya DEVİRLİ (yalnızca devirli) çalışmaya geçiş yapabilirsiniz.

Beton, taş ve karo gibi sert malzemelerde delik açmak için değiştirme kolunu sağa kaydırın (T işareti ile belirtilen).

Matkap ucu darbe ve dönme hareketini birlikte gerçekleştirir.

Metâl, tahta ve plastik gibi malzemelerde delik açmak için değiştirme kolunu sola kaydırın (B işareti ile belirtilen). Matkap ucu elektrikli normal matkaplarda olduğu gibi yalnızca dönme hareketi yapar.

**DİKKAT**

○ Delinecek malzeme yalnızca dönme hareketiyle delinebiliyorsa Darbeli Matkabı DARBELİ seçeneğinde kullanmayın. Bu, delme işlemini verimsiz kılmakla kalmayıp matkap ucunun zarar görmesine de neden olabilir.

○ Darbeli Matkabı değiştirme kolu ortadayken çalıştırırsanız matkap zarar görebilir. Değiştirme yaparken kolu doğru konuma getirdiğinizden emin olun.

**9. Yüksek hız/Düşük hız değişikliği:**

Hızı değiştirmeden önce, anahtarın KAPALI konumda olduğundan ve matkabın tam olarak durduğundan emin olun.

Hızı değiştirmek için vites düğmesini Şekil. 9'da görülen ok yönünde çevirin. Matkabın üzerinde girintili olarak yazılmış "1" sayısı düşük hızı, "2" sayısı ise yüksek hızı ifade eder.

Vites deitirme dmesi zor dönüyorsa mandreni sağa ya da sola hafifçe çevirip vites deitirme dmesini tekrar çevirin.

○ İstenilen dönme hızı hız kontrol düğmesi yardımıyla önceden seçilebilir. Daha yüksek hızlar için hız kontrol düğmesini saat yönünde, daha düşük hızlar için ise saat yönünün tersine çevirin. (Şekil. 10)

○ Tetiğe ve derinlik mesnedine aynı anda bastığınızda açık konumu korunur. Sürekli çalışma için bu konum uygundur. Kapatırken tetiğe basmak suretiyle derinlik mesnedi çıkarılabilir.

**DİKKAT**

Matkap ucunun dönme yönünü değiştirmek için itme düğmesinin L tarafına basılırsa derinlik mesnedi kullanılamaz.

**2. Delme**

○ Delme işlemi yaparken matkabı yavaşça altrn ve hızı giderek artırın.

○ Her zaman matkap ucuyla aynı eksen üzerinde baskı uygulayın. Delme işlemine yetecek oranda baskı uygulayın, motoru durduracak ya da matkap ucunu zedeleyecek kadar çok itmeyin.

○ Motorun durmasını ya da malzemenin kırılmasını engellemek için matkaba uyguladığınız baskıyı azaltın ve deliğin son kısmında matkap ucunu zorlamayın.

○ Matkap durursa tetiği hemen bırakın, matkap ucunu delikten çıkartın ve işe yeniden başlayın. Duran motoru çalıştırmak için tetiğe basıp bırakmayın. Bu, matkaba zarar verebilir.

○ Matkap ucunun çapı büyüdükçe kolunuza binen yük de artar.

Bu yükten dolayı matkabın kontrolünü kaybetmemeye dikkat edin.

Matkabı sıkı tutabilmek için ayaklarınızı yere sağlam basın, yan kolu kullanın, matkabı iki elinizce sıkıca tutun ve matkabın delinen malzemeye dik olduğundan emin olun.

**BAKIM VE GÖZDEN GEÇİRME****1. Matkap uçlarının gözden geçirilmesi**

Aşınmış matkap uçlarının kullanılması motorun zarar görmesine ve verimin azalmasına neden olacağından matkap uçlarını yenileriyle değiştirin ya da aşınmayı fark ettiğinizde gecikmeden uçları keskinleştirin.

**2. Montaj vidalarının gözden geçirilmesi**

Tüm montaj vidalarını düzenli olarak kontrol edin ve gerekli sıklıkta olduklarından emin olun. Vidalardan herhangi biri gevşek ise hemen sıkın. Bunu yapmadığınız takdirde ciddi hasarlar meydana gelebilir.

**3. Motorun bakımı**

Dönme hareketini sağlayan motor, takımın "bel kemiğidir". Motorun hasar görmesini ve/veya yağ ya da su ile ıslanmasını önlemek için gerekli bakımı yapın.

**4. Karbon fırçalarının gözden geçirilmesi**

Gvenliinizin sürekliliği için ve elektrik şokuna karşı koruma sağlamak amacıyla bu takım üzerindeki karbon fırçaların gözden geçirilmesi ve değiştirilmesi YALNIZCA Hitachi yetkilil Servis Merkezi tarafından yapılmalıdır.

**5. Servis parçalarının listesi****DİKKAT:**

Hitachi Güç Takımlarının onarımı, modifikasyonu ve gözden geçirilmesi Hitachi yetkilil Servis Merkezi tarafından yapılmalıdır.

Hitachi yetkilil Servis Merkezine tamir ya da bakım amacıyla başvurulduğunda Parça Listesinin takım ile birlikte verilmesi faydalı olacaktır.

**KULLANIM****1. Düğmelerin kullanımı**

○ Tetiğe basıldığında takım dönmeye başlar. Tetik bırakıldığında takımın dnmesi durur.

○ Matkabın dönme hızı tetiğe basma şiddetiyle kontrol edilebilir. Tetiğe hafif basıldığında hız düşük, sert basıldığında ise yüksek olur.

Güç takımlarının çalıştırılması ve bakımlarının yapılması esnasında her ülke için belirtilen güvenlik düzenlemelerine ve standartlarına uyulması gerekmektedir.

### **MODİFİKASYON:**

Hitachi Güç Takımları en son teknolojik yeniliklerden faydalanmak amacıyla sürekli olarak geliştirilmekte ve modifiye edilmektedir.

Buna bağlı olarak bazı parçalar haber verilmeksizin değiştirilebilir.

### **NOT**

HITACHI'nin sürdürdüğü araştırma ve geliştirme programının bir parçası olarak burada belirtilen özellikler önceden haber verilmeksizin değiştirilebilir.

### **Havadan yayılan gürültü ve titreşimle ilgili bilgiler**

Ölçülen değerler EN60745'e göre belirlenmiştir.

Tipik A ağırlıklı ses basıncı düzeyi: 99 dB (A).

Tipik A ağırlıklı ses gücü düzeyi: 110 dB (A).

Kulaklık kullanın.

Tipik ağırlıklı karekök ortalama hızlanma değeri: 10 m/s<sup>2</sup>.



## ОБЩИЕ ПРАВИЛА ПО ТЕХНИКЕ БЕЗОПАСНОСТИ

**ПРЕДУПРЕЖДЕНИЕ!** Перед использованием электроинструментов должны быть предприняты все необходимые меры предосторожности для того, чтобы уменьшить степень риска возгорания, удара электрическим током и снизить вероятность повреждения корпуса инструмента. Эти меры предосторожности включают в себя нижеперечисленные пункты.

Внимательно прочтите все указания, прежде чем Вы попытаетесь использовать инструмент, и сохраните их. Для безопасного использования:

1. Поддерживайте чистоту и порядок на рабочем месте. Любая помеха на рабочем месте или на рабочем столе может стать причиной травмы.
2. Принимайте во внимание окружающую рабочую обстановку. Не работайте с электроинструментом под дождем. Не используйте электроинструмент в помещениях с повышенной влажностью. Поддерживайте хорошее освещение на рабочем месте. Не работайте инструментом при наличии рядом легковоспламеняющихся жидкостей или газов.
3. Остерегайтесь удара электрическим током. Не касайтесь заземленных поверхностей. Например, трубопроводов, радиаторов, кухонных плит, корпусов холодильников.
4. Во время работы с инструментом не разрешайте детям находиться поблизости. Не позволяйте посторонним дотрагиваться до инструмента или удлинителя. Посторонние лица не должны находиться на рабочей площадке.
5. Закончив работу, сдавайте инструмент на хранение. Место для хранения инструмента должно быть сухим, высоко расположенным или запираемым на замок. Дети не должны иметь возможности самостоятельно добраться до инструмента.
6. Не вмешивайтесь в работу машины, прикладывая излишнюю силу. Работа выполняется лучше и безопасней, если инструмент эксплуатируется с штатной скоростью.
7. Правильно выбирайте инструмент для каждой конкретной работы. Не пытайтесь сделать маломощным инструментом работу, которая предназначена для высокомоощного инструмента. Не используйте инструмент в целях, для которых он не предназначен. Например, не используйте циркулярной пилой для обрезания веток деревьев или резки бревен.
8. Обратите внимание на выбор рабочей одежды. Не надевайте просторную одежду или драгоценности, т.к. они могут быть захвачены движущимися частями инструмента. На время работы вне помещений рекомендуется надевать резиновые перчатки и ботинки с нескользкой подошвой. Уложите длинные волосы под головной убор.
9. Пользуйтесь защитными очками. Одевайте маску для лица или маску против пыли, если при резке материала выделяется пыль.
10. Используйте оборудование для отвода пыли и грязи. Убедитесь, что Вы используете правильные устройства для присоединения подобного оборудования.
11. Не допускайте порчи электрошнура. Никогда не переносите инструмент, держа его за шнур. Не дергайте за шнур с целью вынуть вилку из розетки. Оберегайте шнур от воздействия нагрева, смазочных материалов и предметов с острыми краями.
12. Перед началом работы закрепите обрабатываемую деталь в тисках. Это безопасней, чем держать заготовку в руке, а также освобождает обе руки для работы с инструментом.
13. Будьте начеку. Постоянно имейте хорошую точку опоры и не теряйте равновесия.

14. Внимательно относитесь к техническому обслуживанию инструмента и его ремонту. Для достижения лучших рабочих характеристик и обеспечения большей безопасности при работе осторожно обращайтесь с инструментом и содержите его в чистоте. При смазке и замене аксессуаров следуйте указаниям в соответствующих инструкциях. Периодически осматривайте электрошнур инструмента и в случае его повреждения отремонтируйте его в полномочном сервисном центре. Периодически осматривайте удлинители и в случае повреждения производите их замену. Рукоятки инструмента должны быть сухими и чистыми, не пачкайте их смазочными материалами.
15. Выньте вилку электрошнура из розетки, если инструмент не используется, перед началом техобслуживания, а также перед заменой аксессуаров (ножей, сверл, фрез).
16. Выньте все регулировочные и гаечные ключи. Возьмите себе за правило, перед тем как включить инструмент, проверять все ли ключи вынуты из него.
17. Избегайте неожиданного запуска двигателя. Не переносите подключенный к электросети инструмент, держа палец на переключателе. Перед тем как вставить штепсель в розетку убедитесь, что переключатель находится в положении "Выкл."
18. Работа вне помещения, пользуйтесь удлинителями. В этом случае используйте только те удлинители, что предназначены для работы на улице. Они имеют соответствующую маркировку.
19. Будьте бдительны. Следите за тем, что вы делаете. Придерживайтесь здравого смысла. Если вы устали, не работайте с инструментом.
20. Проверяйте поврежденные детали. Прежде чем продолжить эксплуатацию инструмента, следует тщательно проверить защитный кожух или иные детали, которые имеют повреждения с целью установить, что они в рабочем состоянии и выполняют предназначенную им функцию. Проверьте остроту и крепление движущихся деталей, исправность деталей, правильность сборки и любые другие параметры что могут повлиять на их работу. Защитный кожух или другую деталь, которые повреждены, необходимо как следует отремонтировать или заменить в полномочном сервисном центре, если иное не указано в инструкции по эксплуатации. Неисправные переключатели замените в полномочном сервисном центре. Не работайте с инструментом с неисправным переключателем "Вкл.\ Выкл."
21. Внимание. С целью избежания травмы используйте только те аксессуары или устройства, что указаны в этих инструкциях по эксплуатации или в каталоге фирмы HITACHI.
22. Ремонт должен осуществляться только в полномочном сервисном центре с использованием только оригинальных запасных деталей HITACHI. В противном случае возможно нанесение серьезного вреда здоровью пользователя.

## МЕРЫ ПРЕДОСТОРОЖНОСТИ ПРИ ИСПОЛЬЗОВАНИИ УДАРНОЙ ДРЕЛИ

1. Перед тем, как сверлить стены, потолки или полы, убедитесь в отсутствии скрытых в них электрических проводов.
2. Всегда пользуйтесь боковой рукояткой и крепко держите инструмент обоими руками.
3. Используя ударную дрель в ударном режиме, всегда применяйте вращение по часовой стрелке. (Рис. 11)

## ХАРАКТЕРИСТИКИ

Напряжение (по регионам)*		(110 В, 220 В, 230 В, 240 В) ~	
Потребляемая мощность		790 Вт*	
Изменение скорости		1	2
Скорость без нагрузки	Вращение вперед	0 – 1000 об. мин. <sup>-1</sup>	0 – 3000 об. мин. <sup>-1</sup>
	Вращение назад	0 – 600 об. мин. <sup>-1</sup>	0 – 1800 об. мин. <sup>-1</sup>
Мощность	Сталь	13 мм	8 мм
	Бетон	20 мм	13 мм
	Дерево	40 мм	25 мм
Скорость ударов при полной нагрузке		8000 об. мин. <sup>-1</sup>	26000 об. мин. <sup>-1</sup>
Масса (без шнура)		2,2 кг	

\* Обязательно проверьте паспортную табличку на изделии, поскольку для разных регионов оно различно.

## СТАНДАРТНЫЕ ПРИНАДЛЕЖНОСТИ

- (1) Ключ патрона (указ. только для патрона с ключом) .... 1  
 (2) Боковая рукоятка ..... 1  
 (3) Ограничитель глубины ..... 1  
 Стандартные принадлежности могут изменяться без уведомления.

## ДОПОЛНИТЕЛЬНЫЕ ПРИНАДЛЕЖНОСТИ (продаются отдельно)

- (1) Ударное сверло (для бетона)  
 диам. 3,2 мм – 20 мм

Дополнительные принадлежности могут изменяться без уведомления.

## ОБЛАСТЬ ПРИМЕНЕНИЯ

- При совместном использовании ВРАЩАТЕЛЬНОГО и УДАРНОГО действия:  
 Сверление отверстий в твердых материалах (бетон, мрамор, гранит, кафель и т.п.)
- С использованием ВРАЩАТЕЛЬНОГО действия:  
 Сверление отверстий в металлах, дереве и пластмассе.

## ПОДГОТОВКА К ЭКСПЛУАТАЦИИ

### 1. Источник электропитания

Проследите за тем, чтобы используемый источник электропитания соответствовал требованиям к источнику электропитания, указанному на паспортной табличке изделия.

### 2. Переключатель питания

Убедитесь в том, что переключатель питания находится в положении OFF (ВЫКЛ.). Если вставить штепсель в розетку, когда переключатель питания находится в положении ON (ВКЛ.), инструмент сразу начнет работать, что может стать причиной серьезной травмы.

### 3. Удлинитель

Когда рабочая область удалена от источника питания, пользуйтесь удлинителем достаточной площади поперечного сечения и номинальной нагрузки. Удлинитель должен быть как можно более коротким.

### 4. Выбор подходящего сверла

- При сверлении бетона или камня  
 Используйте сверла, указанные в пункте Дополнительные принадлежности.
- При сверлении металла или пластмассы  
 Используйте обычное сверло для работ по металлу.
- При сверлении дерева  
 Используйте обычное сверло для работ по дереву. Однако при сверлении отверстий диаметром 6,5 мм или менее используйте сверло для работ по металлу.

### 5. Установка и снятие сверла

#### Для патрона с ключом (Рис. 1)

- (1) Раскройте губки патрона и вставьте сверло в патрон.
- (2) Вставьте ключ патрона в каждое из трех отверстий патрона и поверните его по часовой стрелке (если смотреть спереди). Туго затяните его.
- (3) Чтобы вынуть сверло, вставьте ключ патрона в каждое из трех отверстий патрона и поверните его против часовой стрелки.

#### Для патрона без ключа

Установка патрона без ключа типа А или типа В определяется страной применения.

- Тип А (Рис. 2)

- (1) Как установить сверло  
 Поверните фиксирующее шайбу в направлении "AUF" и разожмите патрон. Вставив сверло в патрон до отказа, поверните шайбу в направлении "ZU". Закрепите кольцо и зажмите патрон, повернув гильзу по часовой стрелке, если смотреть спереди.
- (2) Как вынуть сверло  
 Чтобы ослабить сжатие патрона, поверните шайбу в направлении "AUF". Закрепите кольцо и разожмите патрон, повернув гильзу против часовой стрелки.

#### ПРИМЕЧАНИЕ

Если ослабить гильзу больше не удастся, прикрепите к кольцу боковую рукоятку, а затем, крепко держа боковую рукоятку, поверните и ослабьте гильзу вручную. (Рис. 4)

- Тип В (Рис. 3)

- (1) Как установить сверло  
 Поверните гильзу против часовой стрелки и

разожмите патрон. Вставив сверло в патрон до отказа, закрепите кольцо и зажмите патрон, повернув гильзу по часовой стрелке, если смотреть спереди.

(2) Как вынуть сверло

Закрепите кольцо и разожмите патрон, повернув гильзу против часовой стрелки.

**ПРИМЕЧАНИЕ**

Если ослабить гильзу больше не удастся, прикрепите к кольцу боковую рукоятку, а затем, крепко держа боковую рукоятку, поверните и ослабьте гильзу вручную. (Рис. 4)

**6. Проверьте направление вращения (Рис. 5)**

Сверло вращается по часовой стрелке (если смотреть сзади), когда кнопка нажата с правой стороны (R). Чтобы сверло вращалось против часовой стрелки, кнопку следует нажать с левой стороны (L). (Знаки (L) и (R) нанесены на корпус.)

**ПРЕДОСТЕРЕЖЕНИЕ**

Используя ударную дрель в ударном режиме, всегда применяйте вращение по часовой стрелке.

**7. Как закрепить боковую рукоятку (Рис. 6)**

Присоедините боковую рукоятку к крепежной детали. Чтобы закрепить боковую рукоятку, вращайте зажим боковой рукоятки по часовой стрелке.

Установите боковую рукоятку, чтобы она была удобна в работе, а затем надежно затяните зажим боковой рукоятки.

Чтобы закрепить на боковой рукоятке ограничитель глубины, вставьте ограничитель глубины в П-образный паз боковой рукоятки, отрегулируйте положение ограничителя глубины в соответствии с необходимой глубиной отверстия и туго затяните зажим боковой рукоятки. (Рис. 7)

**8. Переключение с УДАРА на ВРАЩЕНИЕ (Рис. 8)**

Чтобы легко изменить режим работы на УДАР (удар и вращение) или на ВРАЩЕНИЕ (только вращение), переведите рычаг изменения соответственно вправо и влево.

Чтобы сверлить отверстия в твердых материалах, например бетоне, камне или кафеле, переведите рычаг изменения в правое положение (помеченное знаком **T**).

Ударное и вращательное действия сверла совмещаются.

Чтобы сверлить отверстия в металле, дереве и пластмассе, переведите рычаг изменения в левое положение (помеченное знаком **M**). Тогда сверло совершает только вращательное движение, как в случае с обычной электродрелью.

**ПРЕДОСТЕРЕЖЕНИЕ**

- Не используйте ударную дрель с функцией IMPACT (УДАР), если просверлить материал можно только в режиме вращения. Такое действие не только ухудшит качество сверла, но и может привести в негодность кончик сверла.
- Эксплуатация ударной дрели при среднем положении рычага изменения может привести к выходу ее из строя. При включении убедитесь, что Вы перевели рычаг изменения в правильное положение.

**9. Переключение высокой/низкой скорости:**

Перед изменением скорости убедитесь, что переключатель переведен в положение OFF (Выкл.) и что дрель полностью остановилась.

Чтобы изменить скорость, поверните диск переключения передачи, как показано на Рис. 9. Число "1", нанесенное на корпус дрели, означает низкую скорость, а число "2" означает высокую скорость.

Если поворачивать диск переключения передачи тяжело, слегка прокрутите патрон в каком-либо направлении, а затем снова поверните диск переключения передачи.

**КАК ПОЛЬЗОВАТЬСЯ**

**1. Работа переключателя**

- При нажатой пусковой кнопке инструмент вращается. При отпущенной пусковой кнопке инструмент останавливается.
- Скорость вращения сверла можно изменять мерой нажатия пусковой кнопки. При слабо нажатой пусковой кнопке скорость низкая, а при более сильном нажатии пусковой кнопки скорость увеличивается.
- Нужную скорость вращения можно заранее выбрать с помощью диска регулирования скорости. Для увеличения скорости поворачивайте диск регулирования по часовой стрелке, а для уменьшения скорости – против часовой стрелки. (Рис. 10)
- Нажав стопор при нажатой пусковой кнопке, можно зафиксировать включенное состояние, удобное при непрерывной работе. При выключении стопор можно отключить, повторно нажав пусковую кнопку.

**ПРЕДОСТЕРЕЖЕНИЕ**

Если кнопка нажата с левой стороны (L), воспользоваться стопором нельзя.

**2. Сверление**

- Запускайте дрель медленно, постепенно при сверлении наращивая скорость.
- Направляйте усилие всегда по одной линии со сверлом. Прикладывайте давление, достаточное, чтобы продолжать сверлить, но не нажимайте настолько, чтобы остановить двигатель или выгнуть сверло.
- Чтобы минимизировать остановки и торможение в материале, уменьшите давление на дрель и легко проведите сверло через последнюю часть отверстия.
- Если дрель остановится, сразу же отпустите пусковую кнопку, выньте сверло из заготовки и начните снова. Не нажимайте пусковую кнопку в попытке снова запустить остановившуюся дрель. Это может привести к выходу дрели из строя.
- Чем больше диаметр сверла, тем сильнее будет отдача в руку. Будьте осторожны, чтобы из-за этой отдачи не потерять контроль над дрелью. Чтобы сохранить контроль, станьте в хорошую стойку, используйте боковую рукоятку, прочно держите дрель обеими руками и убедитесь, что сверло перпендикулярно к материалу, в котором надо сверлить отверстие.

---

## ОБСЛУЖИВАНИЕ И ПРОВЕРКА

---

### 1. Проверка сверла

Поскольку использование стертого сверла приводит к неисправности двигателя и снижению эффективности, при выявлении стирания немедленно замените или заточите сверло.

### 2. Проверка крепежных винтов

Регулярно проверяйте все крепежные винты и старайтесь, чтобы они были хорошо затянуты. При ослаблении какого-либо винта немедленно затяните его. Если этого не сделать, может возникнуть серьезная опасность.

### 3. Обслуживание двигателя

Обмотка блока двигателя – это самое "сердце" инструмента. Выполняйте необходимый уход, чтобы обмотка не повредилась, не намочка в воде или масле.

### 4. Проверка угольных щеток

Чтобы обеспечить Вашу безопасность и защитить от поражения электрическим током, осмотр и замену угольных щеток этого инструмента следует проводить ТОЛЬКО в авторизованном сервисном центре Hitachi.

### 5. Перечень запасных частей

#### ПРЕДОСТЕРЕЖЕНИЕ:

Ремонт, модификацию и осмотр механизированного инструмента фирмы Hitachi следует проводить в авторизованном сервисном центре Hitachi.

Этот перечень запасных частей пригодится при представлении его вместе с инструментом в авторизованный сервисный центр Hitachi с запросом на ремонт или прочее обслуживание.

При работе и обслуживании механизированных инструментов нужно соблюдать правила и стандарты безопасности, действующие в каждой данной стране.

#### МОДИФИКАЦИЯ:

Механизированные инструменты Hitachi постоянно совершенствуются и модифицируются с применением последних достижений технологии. Соответственно, некоторые детали могут изменяться без предварительного уведомления.

---

#### ПРИМЕЧАНИЕ

Поскольку фирма Hitachi постоянно ведет программу исследования и развития, приведенные здесь характеристики могут изменяться без предварительного уведомления.

---

---

#### Информация, касающаяся создаваемого шума и вибрации

Измеряемые величины были определены в соответствии с EN60745.

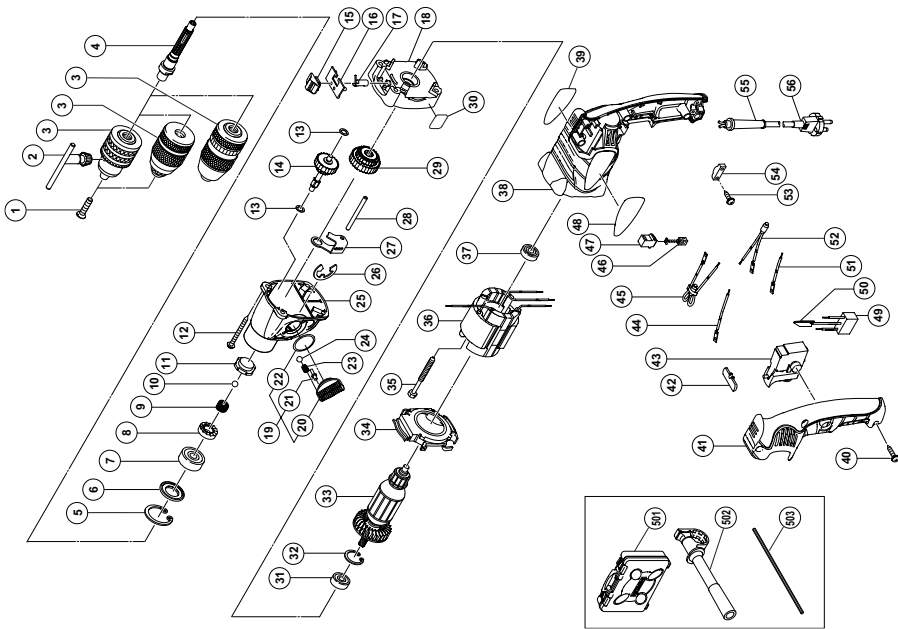
Типичный средневзвешенный уровень звукового давления по шкале A: 99 дБ (A).

Типичный средневзвешенный уровень мощности звука по шкале A: 110 дБ (A).

Надевайте наушники.

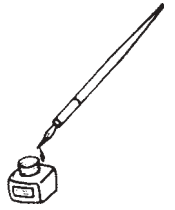
Типичное взвешенное среднеквадратическое ускорение значение: 10 м/с<sup>2</sup>

---



A	B	C	D
1	995-344	1	M6x25
2	---	1	---
3	321-814	1	13VLRB-D
3	319-546	1	13VLR-N
3	316-280	1	13VLN
4	1	322-857	1
4	2	322-866	1
5	939-556	1	---
6	322-851	1	---
7	620-2DD	1	6202DDCMPS2L
8	322-850	1	---
9	984-101	1	---
10	959-150	1	D6.35
11	322-845	1	---
12	1	316-321	4
12	2	322-869	4
13	322-852	2	---
14	1	322-858	1
14	2	322-867	1
15	322-841	1	---
16	322-842	1	---
17	322-840	1	---
18	1	322-859	1
18	2	322-868	1
19	322-847	1	" 20-22"
20	---	1	---
21	322-848	1	---
22	306-353	1	S-22
23	981-328	1	---
24	319-535	1	D3.5
25	322-844	1	"11"
26	---	1	---
27	322-849	1	---
28	1	322-860	1
28	2	984-104	1
29	322-846	1	D5
30	---	1	---
31	608-DDM	1	608DDC2PS2L
32	939-553	1	---
33	1	360-652C	1
33	2	360-652E	1
33	3	360-652F	1
34	322-843	1	---
35	961-672	2	D4x50

A	B	C	D
36	1	340-587C	1
36	2	340-587E	1
36	3	340-587F	1
37	608-VVM	1	608VVC2PS2L
38	322-861	1	---
39	---	1	---
40	301-653	3	D4x20
41	322-862	1	---
42	322-853	1	---
43	322-854	1	---
44	321-630	1	100L
45	1	322-517	1
45	2	322-518	1
46	999-041	2	"GBR (110V)"
47	955-203	2	---
48	---	1	---
49	994-273	1	---
50	992-635	1	---
51	321-631	1	55L
52	1	321-634	1
52	2	322-519	1
53	984-750	2	110V-240V
54	937-631	1	"GBR (110V)"
55	953-327	1	D4x16
56	---	1	D8.8
501	---	1	---
502	---	1	---
503	303-709	1	---



<p>English</p> <p><b><u>GUARANTEE CERTIFICATE</u></b></p> <ol style="list-style-type: none"> <li>① Model No.</li> <li>② Serial No.</li> <li>③ Date of Purchase</li> <li>④ Customer Name and Address</li> <li>⑤ Dealer Name and Address (Please stamp dealer name and address)</li> </ol>	<p>Magyar</p> <p><b><u>GARANCIA BIZONYLAT</u></b></p> <ol style="list-style-type: none"> <li>① Tipusszám</li> <li>② Sorozatszám</li> <li>③ A vásárlás dátuma</li> <li>④ A Vásárló neve és címe</li> <li>⑤ A Kereskedő neve és címe (Kérjük ide elhelyezni a Kereskedő nevének és címének pecsétjét)</li> </ol>
<p>Deutsch</p> <p><b><u>GARANTIESCHEIN</u></b></p> <ol style="list-style-type: none"> <li>① Modell-Nr.</li> <li>② Serien-Nr.</li> <li>③ Kaufdatum</li> <li>④ Name und Anschrift des Kunden</li> <li>⑤ Name und Anschrift des Händlers (Bitte mit Namen und Anschrift des Handlers abstempeln)</li> </ol>	<p>Čeština</p> <p><b><u>ZÁRUČNÍ LIST</u></b></p> <ol style="list-style-type: none"> <li>① Model č.</li> <li>② Série č.</li> <li>③ Datum nákupu</li> <li>④ Jméno a adresa zákazníka</li> <li>⑤ Jméno a adresa prodejce (Prosíme o razítko se jménem a adresou prodejce)</li> </ol>
<p>Ελληνικά</p> <p><b><u>ΠΙΣΤΟΠΟΙΗΤΙΚΟ ΕΓΓΥΗΣΗΣ</u></b></p> <ol style="list-style-type: none"> <li>① Αρ. Μοντέλου</li> <li>② Αύξων Αρ.</li> <li>③ Ημερομηνία αγοράς</li> <li>④ Όνομα και διεύθυνση πελάτη</li> <li>⑤ Όνομα και διεύθυνση μεταπωλητή (Παρακαλούμε να χρησιμοποιηθεί σφραγίδα)</li> </ol>	<p>Türkçe</p> <p><b><u>GARANTİ SERTİFİKASI</u></b></p> <ol style="list-style-type: none"> <li>① Model No.</li> <li>② Seri No.</li> <li>③ Satın Alma Tarihi</li> <li>④ Müşteri Adı ve Adresi</li> <li>⑤ Bayi Adı ve Adresi (Lütfen bayi adını ve adresini kaşe olarak basın)</li> </ol>
<p>Polski</p> <p><b><u>GWARANCJA</u></b></p> <ol style="list-style-type: none"> <li>① Model</li> <li>② Numer seryjny</li> <li>③ Data zakupu</li> <li>④ Nazwa klienta i adres</li> <li>⑤ Nazwa dealera i adres (Pieczęć punktu sprzedaży)</li> </ol>	<p>Русский</p> <p><b><u>ГАРАНТИЙНЫЙ СЕРТИФИКАТ</u></b></p> <ol style="list-style-type: none"> <li>① Модель №</li> <li>② Серийный №</li> <li>③ Дата покупки</li> <li>④ Название и адрес заказчика</li> <li>⑤ Название и адрес дилера (Пожалуйста, внесите название и адрес дилера)</li> </ol>

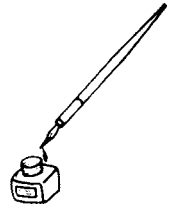


# HITACHI

①	
②	
③	
④	
⑤	







<p>English</p> <p><b>EC DECLARATION OF CONFORMITY</b></p> <p>We declare under our sole responsibility that this product is in conformity with standards or standardized documents EN60745, EN55014 and EN61000-3 in accordance with Council Directives 73/23/EEC, 89/336/EEC and 98/37/EC.</p> <p>This declaration is applicable to the product affixed CE marking.</p>	<p>Magyar</p> <p><b>EU MEGFELELŐSÉGI NYILATKOZAT</b></p> <p>Teljes felelősségünk tudatában kijelentjük, hogy ez a termék megfelel az EN60745, EN55014, és EN 61000-3 szabványoknak illetve szabványosított dokumentumoknak, az Európa Tanács 73/23/EEC, 89/336/EEC, és 98/37/EC Tanácsi Direktíváival összhangban.</p> <p>Jelen nyilatkozat a terméken feltüntetett CE jelzésre vonatkozik.</p>
<p>Deutsch</p> <p><b>ERKLÄRUNG ZUR KONFORMITÄT MIT CE-REGELN</b></p> <p>Wir erklären mit alleiniger Verantwortung, daß dieses Produkt den Standards oder standardisierten Dokumenten EN60745, EN55014 und EN61000-3 in Übereinstimmung mit den Direktiven des Europarats 73/23/EWG, 89/336/EWG und 98/37/CE entspricht.</p> <p>Diese Erklärung gilt für Produkte, die die CE-Markierung tragen.</p>	<p>Čeština</p> <p><b>PROHLÁŠENÍ O SHODĚ S CE</b></p> <p>Prohlašujeme na svoji zodpovědnost, že tento výrobek odpovídá normám EN60745, EN55014 a EN61000-3 v souladu se směrnicemi 73/23/EEC, 89/336/EEC a 98/37/EC.</p> <p>Toto prohlášení platí pro výrobek označený značkou CE.</p>
<p>Ελληνικά</p> <p><b>ΕΚ ΔΗΛΩΣΗ ΕΝΑΡΜΟΝΙΣΜΟΥ</b></p> <p>Δηλώνουμε με απόλυτη υπευθυνότητα ότι αυτό το προϊόν είναι εναρμονισμένο με τα πρότυπα ή τα έγγραφα προτύπων EN60745, EN55014 και EN61000-3 σε συμφωνία με τις Οδηγίες του Συμβουλίου 73/23/EOK, 89/336/EOK και 98/37/EK.</p> <p>Αυτή η δήλωση ισχύει στο προϊόν με το σημάδι CE.</p>	<p>Türkçe</p> <p><b>AB UYGUNLUK BEYANI</b></p> <p>Bu ürünün, 73/23/EEC, 89/336/EEC ve 98/37/EC sayılı Konsey Direktiflerine uygun olarak, EN60745, EN55014 ve EN61000-3 sayılı standartlara ve standartlaştırılmış belgelere uygun olduğunu, tamamen kendi sorumluluğumuz altında beyan ederiz.</p> <p>Bu beyan, üzerinde CE işareti bulunan ürünler için geçerlidir.</p>
<p>Polski</p> <p><b>DEKLARACJA ZGODNOŚCI Z CE</b></p> <p>Oznajmiamy z całkowitą odpowiedzialnością, że produkt ten pozostaje w zgodzie ze standardami lub standardową formą dokumentów EN60745, EN55014 i EN61000-3 w zgodzie z Zasadami Rady 73/23/EEC 89/336/ EEC i 98/37/EC.</p> <p>To oświadczenie odnosi się do załączonego produktu z oznaczeniami CE.</p>	<p>Русский</p> <p><b>ДЕКЛАРАЦИЯ СООТВЕТСТВИЯ ЕС</b></p> <p>Мы с полной ответственностью заявляем, что данное изделие соответствует стандартам или стандартизованным документам EN60745, EN55014 и EN61000-3 согласно Директивам Совета 73/23/EEC, 89/336/EEC и 98/37/EC.</p> <p>Данная декларация относится к изделиям, на которых имеется маркировка CE.</p>
<p>Representative office in Europe  <b>Hitachi Power Tools Europe GmbH</b>  Siemensring 34, 47877 Willich 1, F. R. Germany</p> <p>Head office in Japan  <b>Hitachi Koki Co., Ltd.</b>  Shinagawa Intercity Tower A, 15-1, Konan 2-chome,  Minato-ku, Tokyo, Japan</p> <p style="text-align: right;"><b>CE</b></p> <p style="text-align: right;">31.3.2004</p> <p style="text-align: right;"><i>M. Kato</i></p> <p style="text-align: right;">K. Kato Board Director</p>	

 **Hitachi Koki Co., Ltd.**